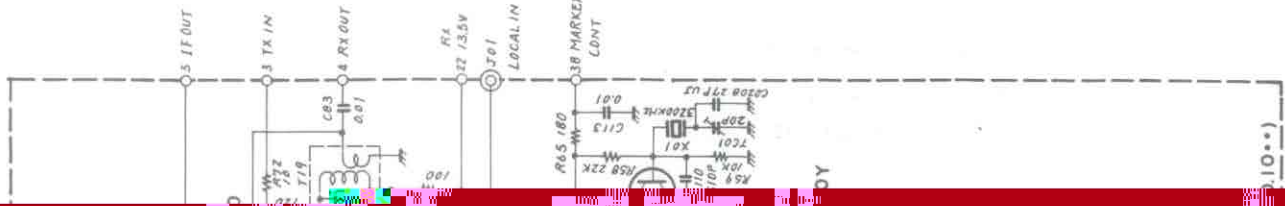
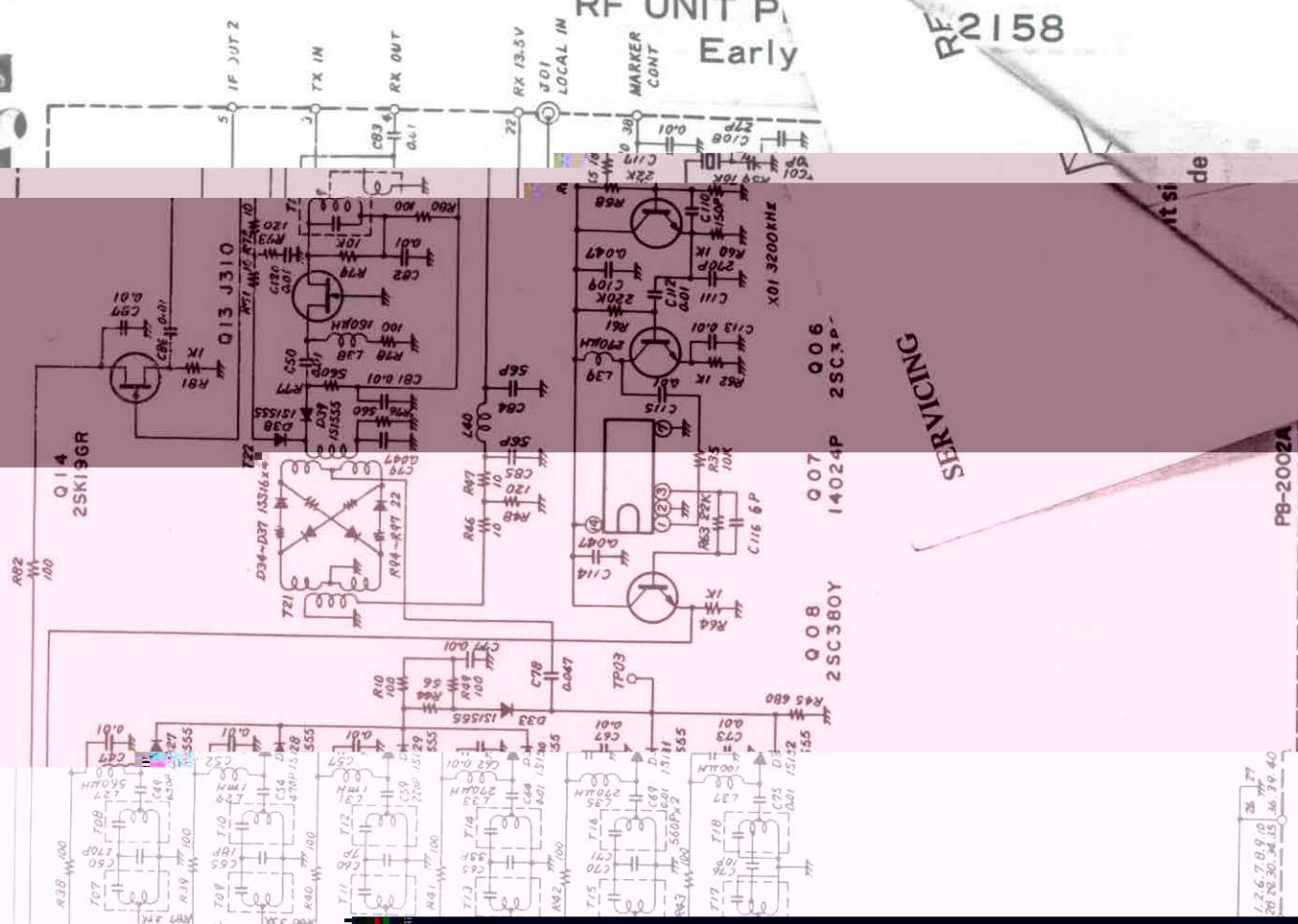


# RF UNIT PB-2158 After Prod.6



# RF UNIT PA Early

R2158

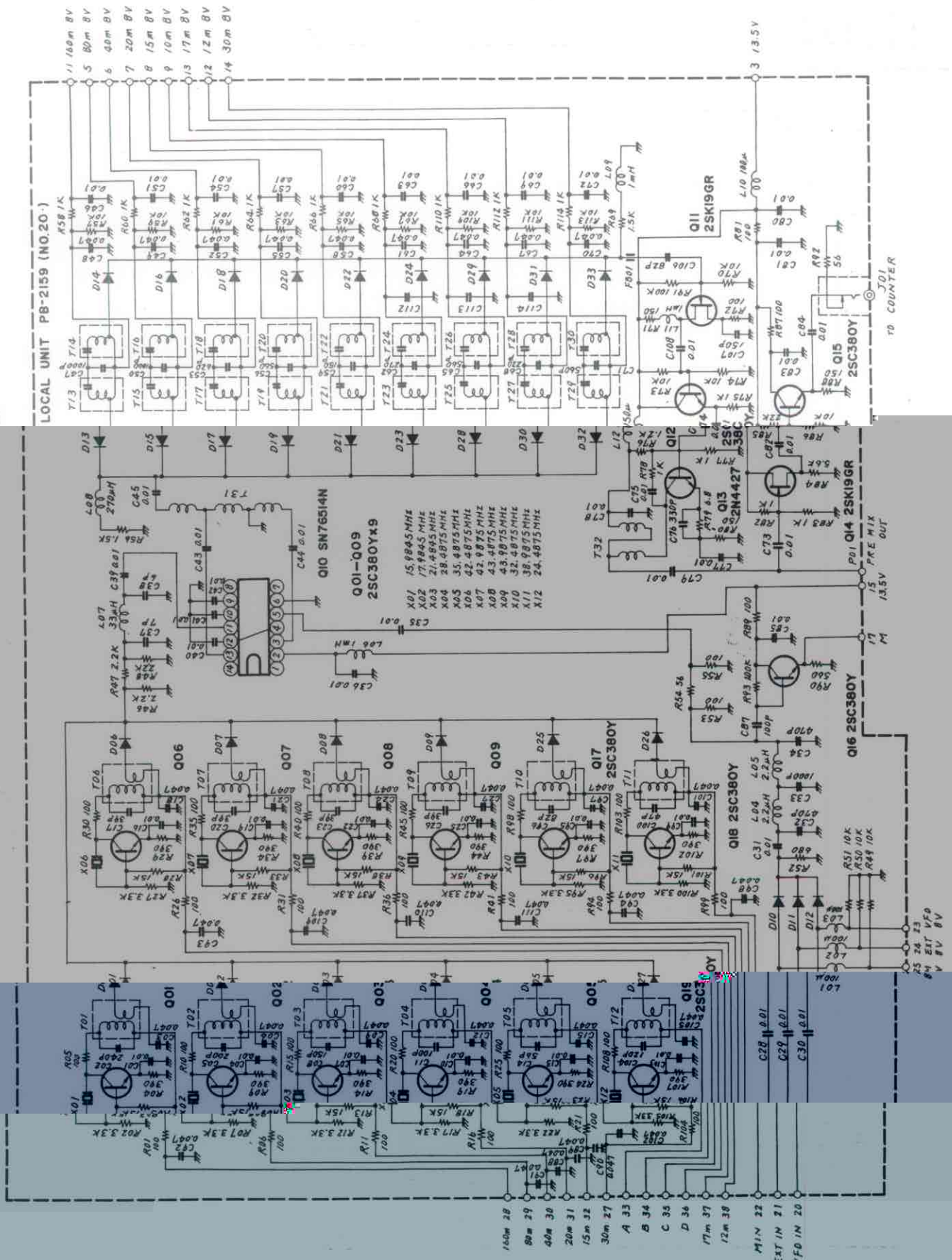


SERVICING

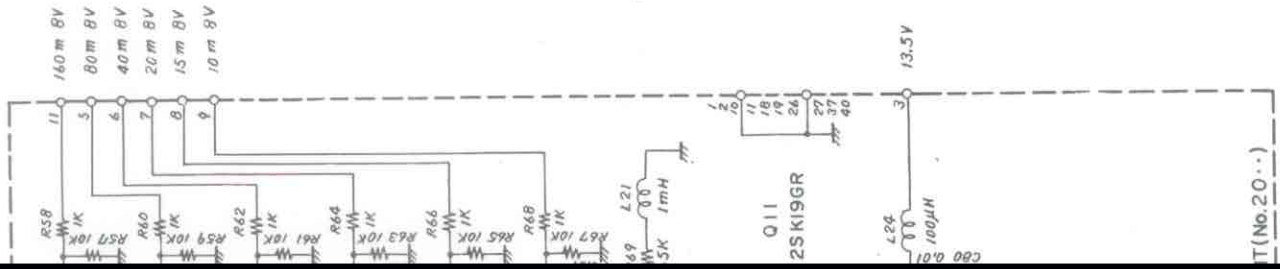
P8-2002A

1.2, 6.7, 0.9, 10  
 20, 50, 30, 34, 35  
 36, 39, 40

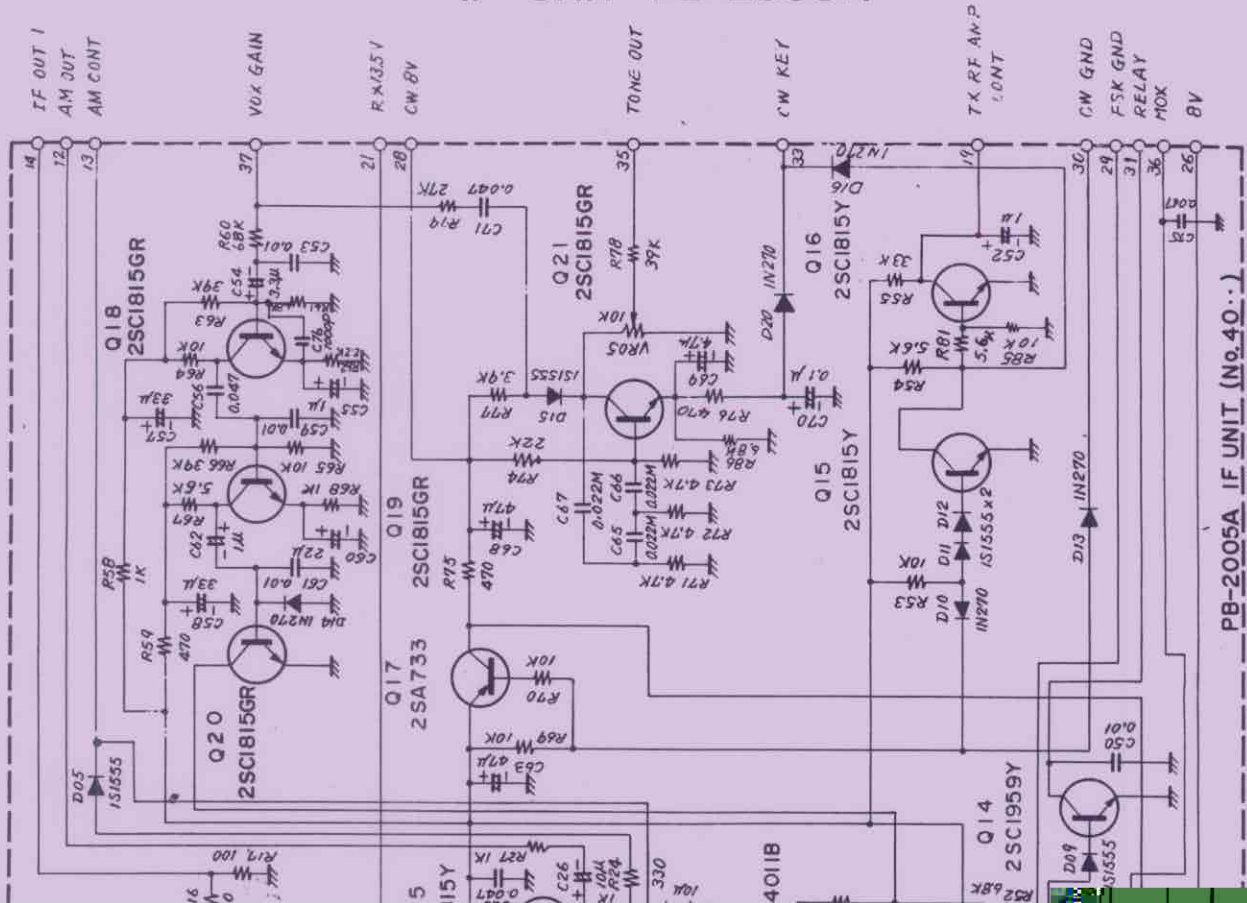
# LOCAL UNIT PB-2159 After Prod.6



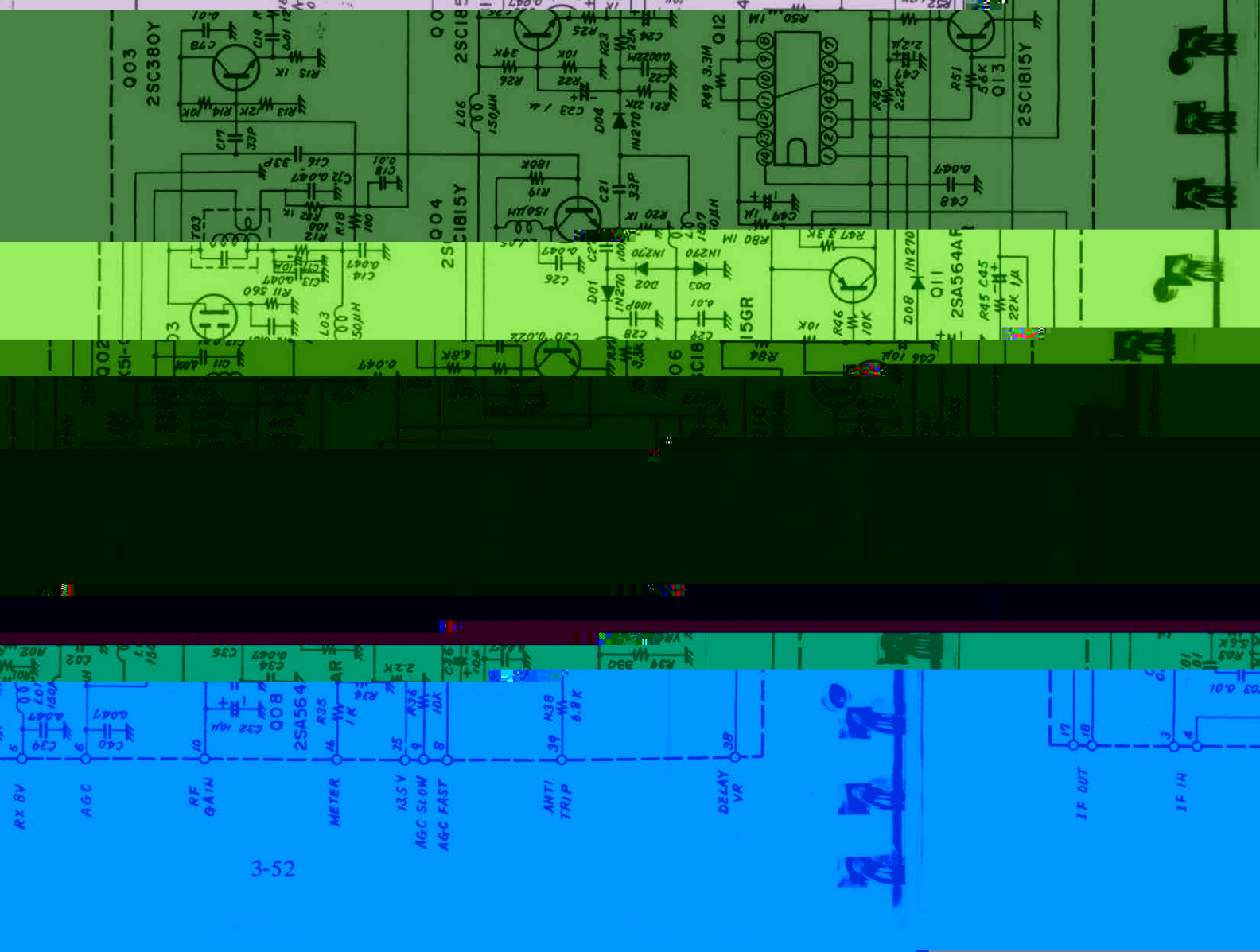
# LOCAL UNIT PB-2003A Early Model



# IF UNIT PB-2005A

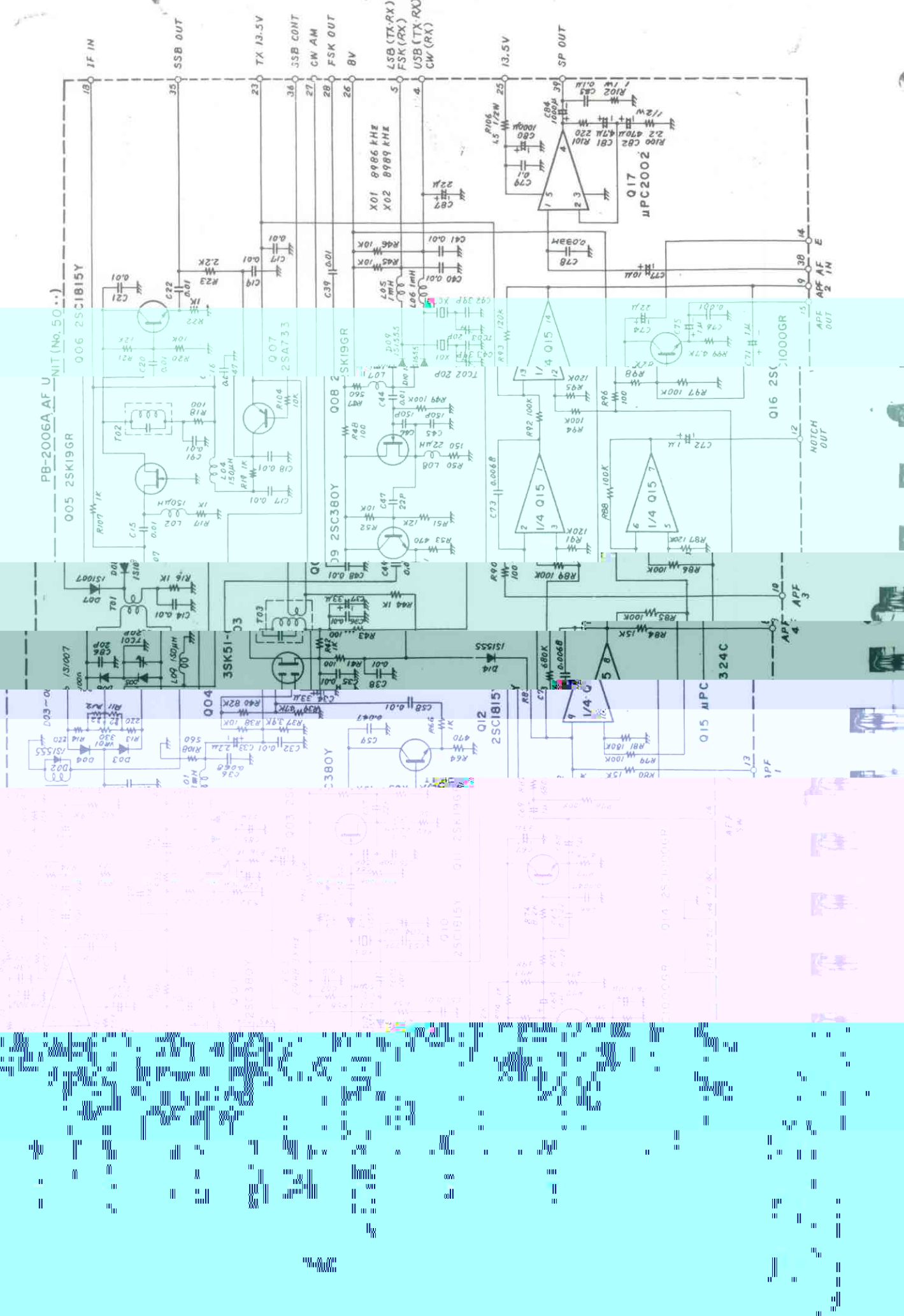


PB-2005A IF UNIT (No. 40..)

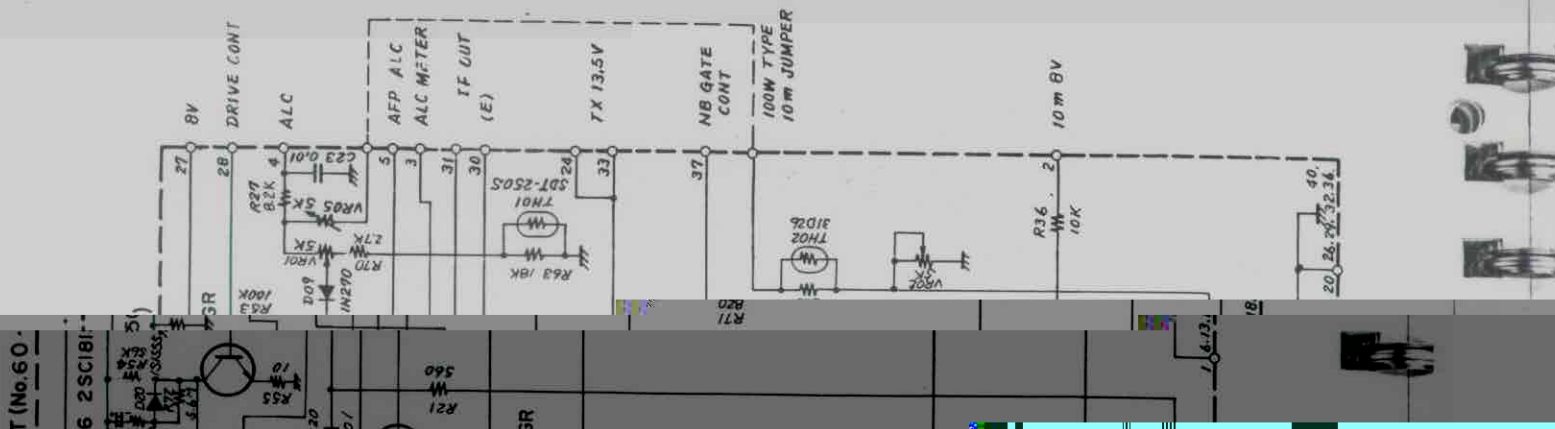




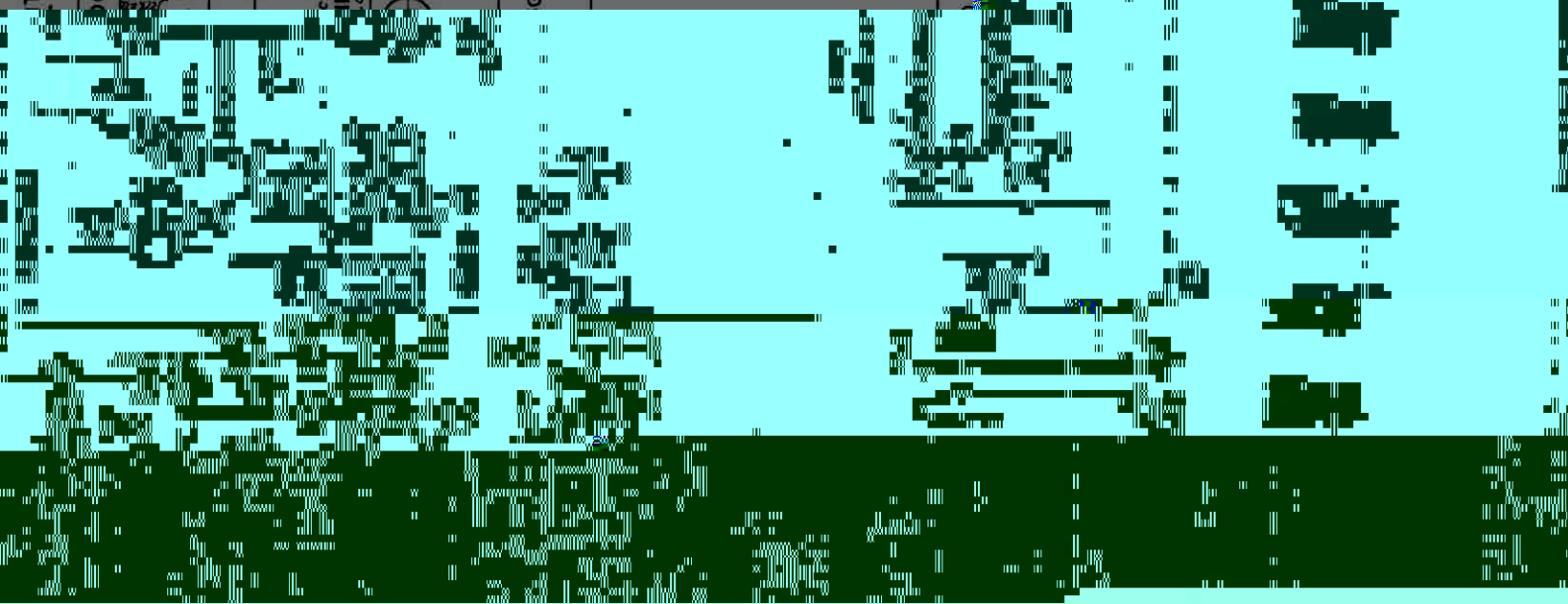
# AF UNIT PB-2006A



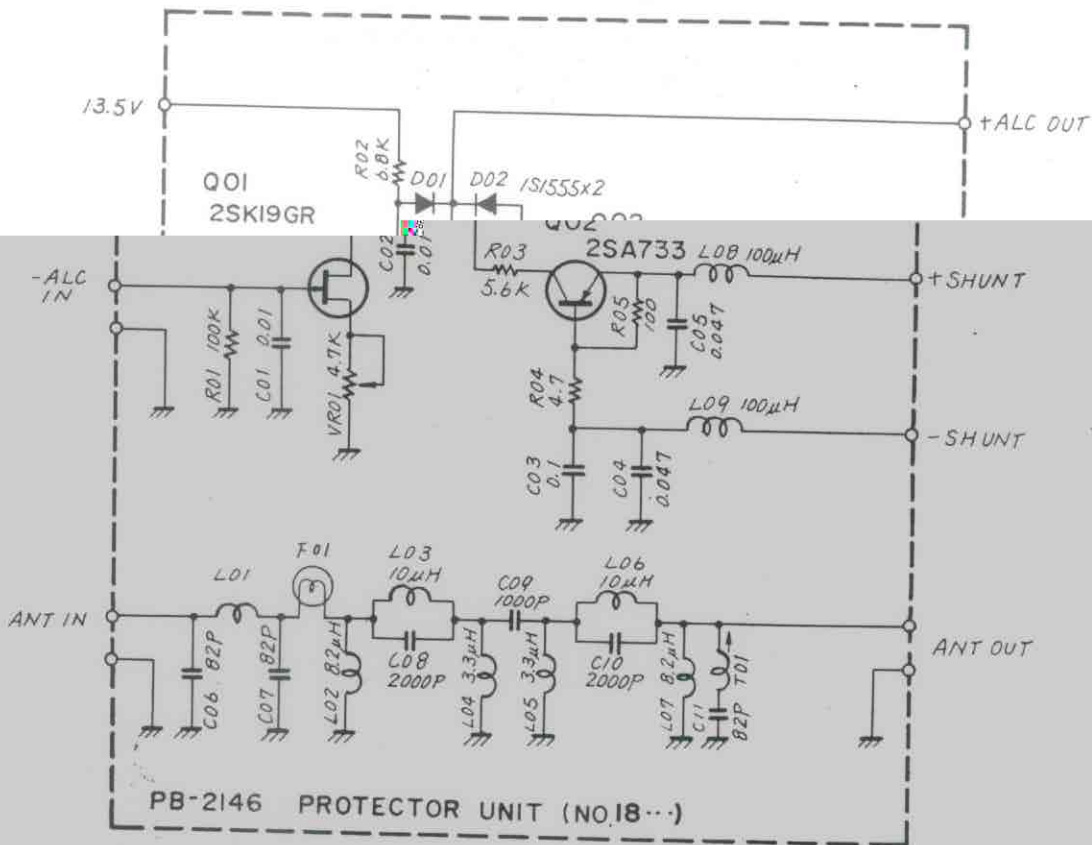
# NB UNIT PB-2007A



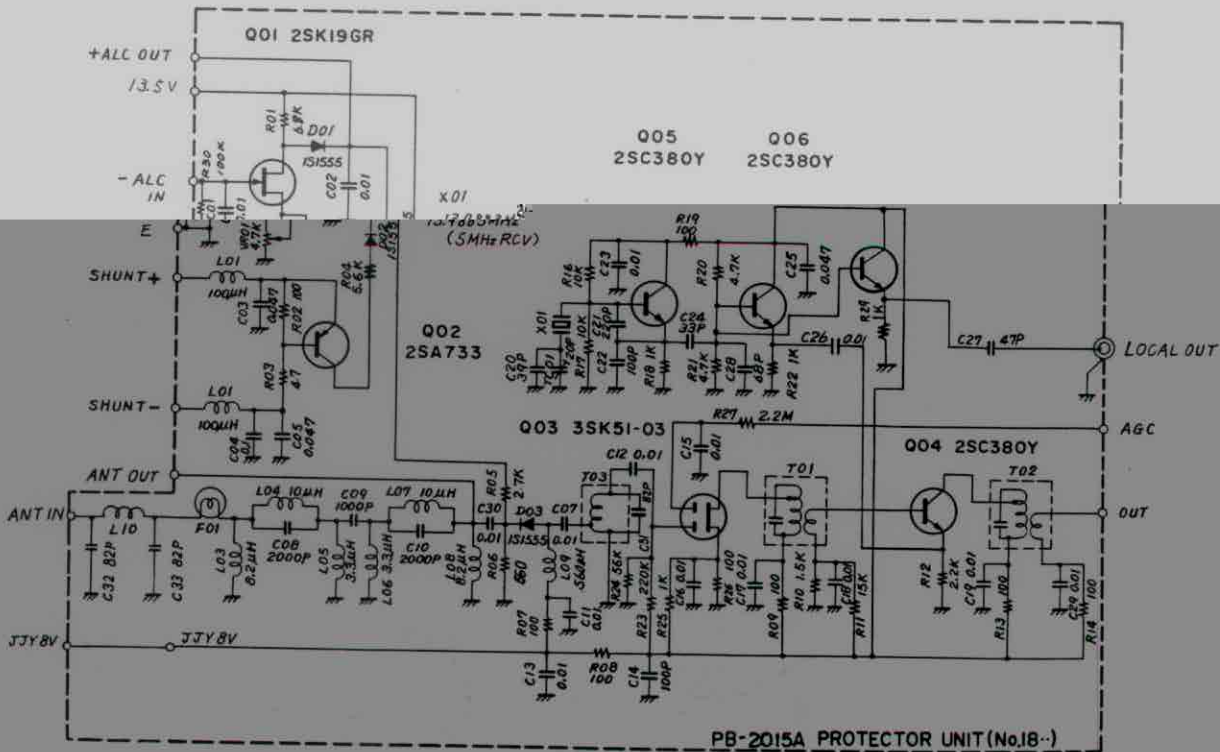
T (No. 60 -  
G 2 SCIBI -



PROTECTOR UNIT PB-2146  
PB-2015A

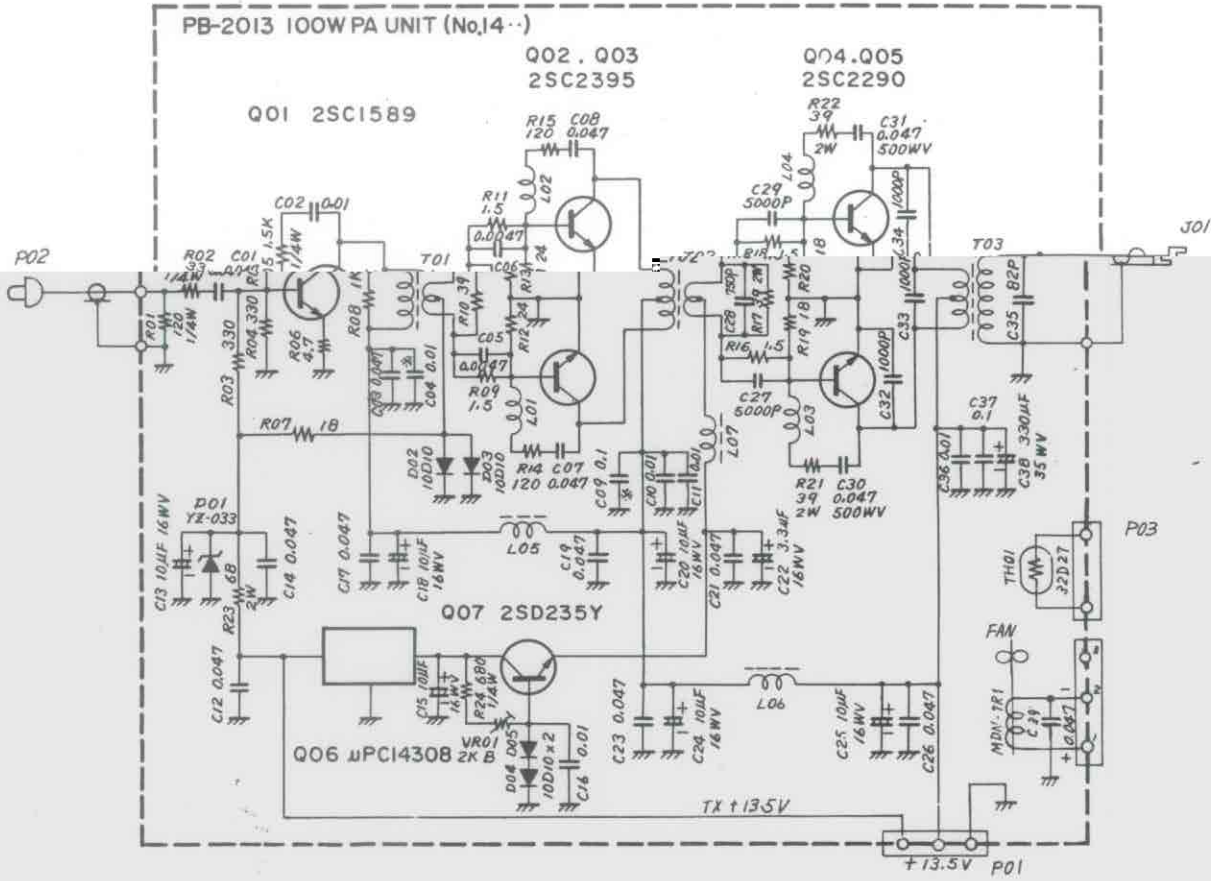


After Prod 6



Early Model

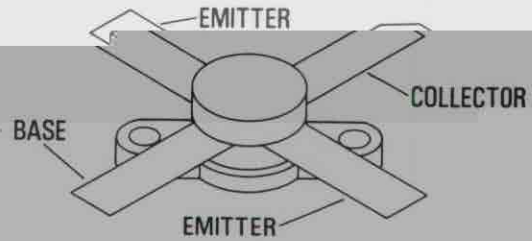
100W PA UNIT PB-2013



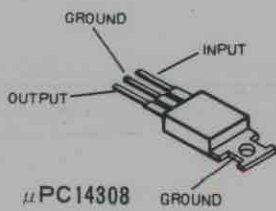
VOLTAGE CHART  
(DC VOLTS)

	E	C	B
Q1401	0.5	13.5	1.3
Q1402, 1403	0	13.5	0.7
Q1404, 1405	0	13.5	0.7
Q1407	0.7	8.0	1.3

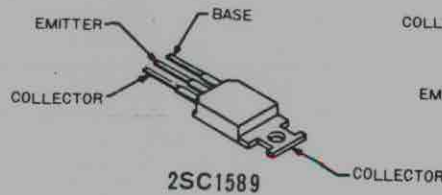
	IN	COM	OUT
Q1406	13.5	0	8.0



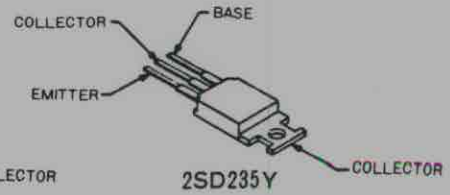
2SC2290  
2SC2395



μPCI4308



2SC1589



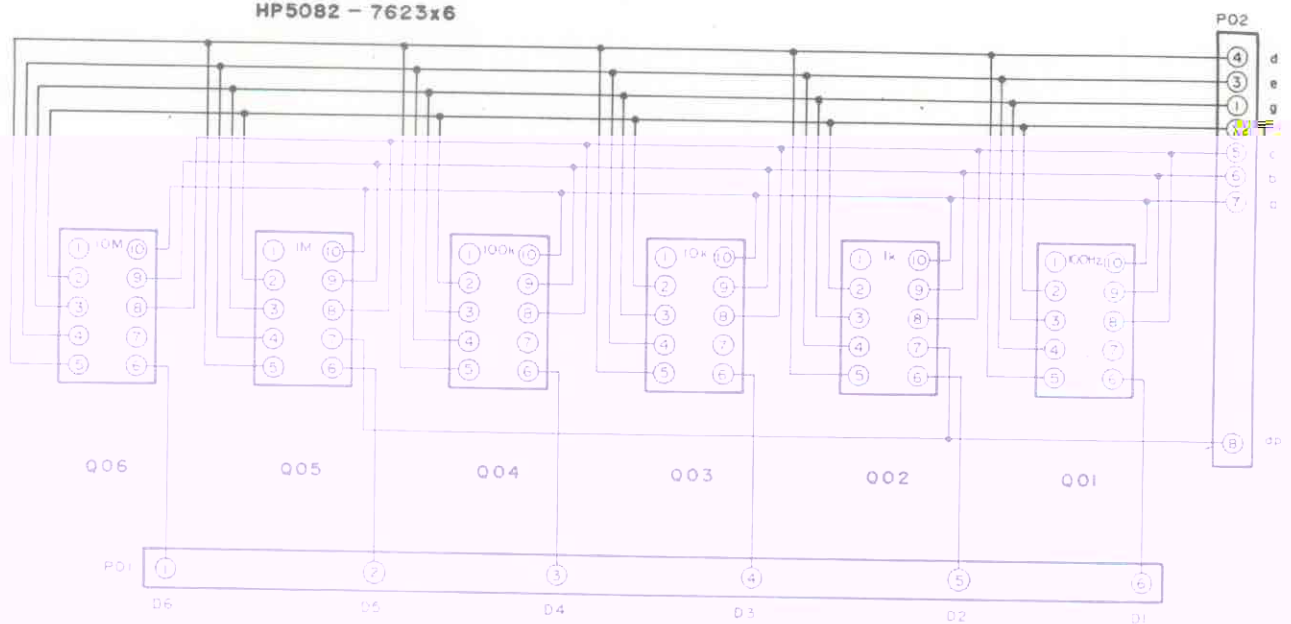
2SD235Y





# COUNTER UNIT LSI COUNTER UNIT PB-2086A DISPLAY UNIT PB-2087

HP5082 - 7623x6



DISPLAY UNIT PB-2087 (NO.22...)

