

V101 6BM8

DRIV and PA

V102a 12SSB CW

VOLT REG

V103 2AU6 CARRIER OSC

V104 12AX7A

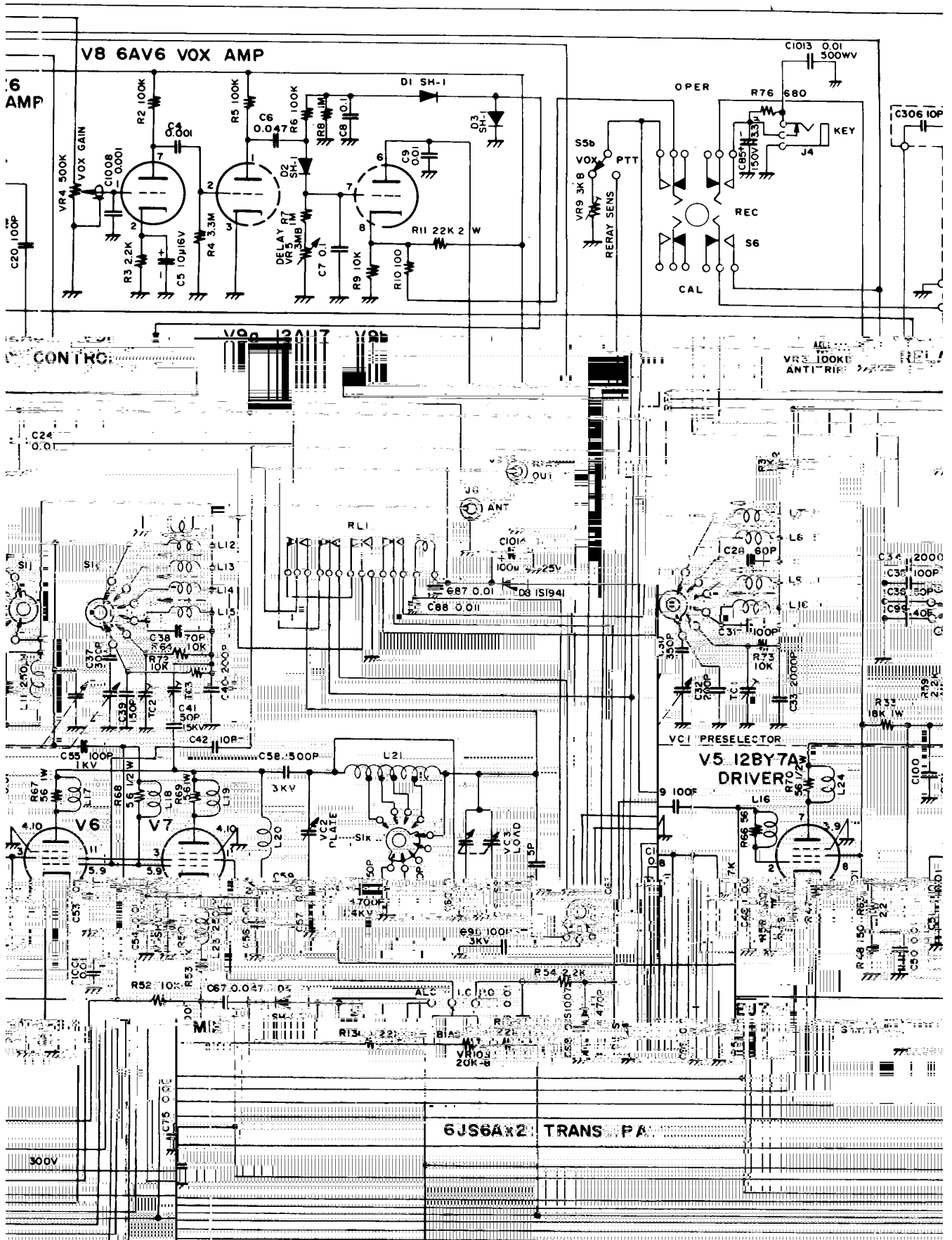
AGC

AGC-AUJ

TON OSC

V105 12AX7A MIC AMP

V107 7360 BM

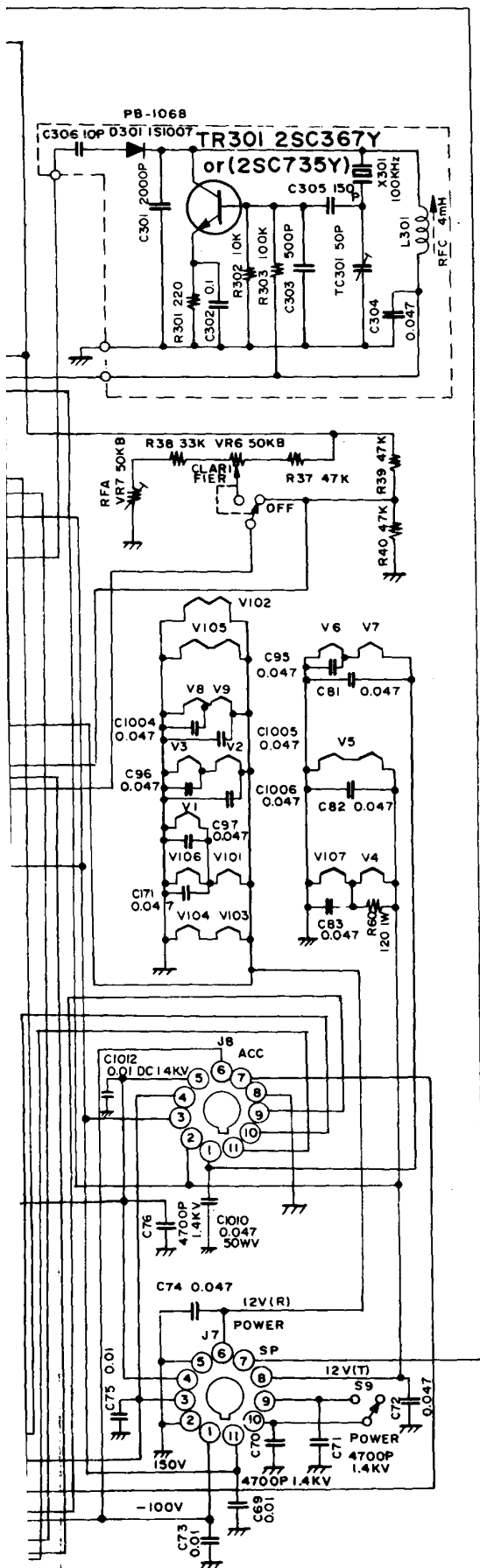


D1 ~ D5
 D10 ~ D103
 D106

S1 ~ S18
 S194

NOTES
 ALL RESISTORS IN OHM 1/2W
 UNLESS OTHERWISE NOTED
 2 ALL CAPACITORS IN μ F

TEM



TEMPO one