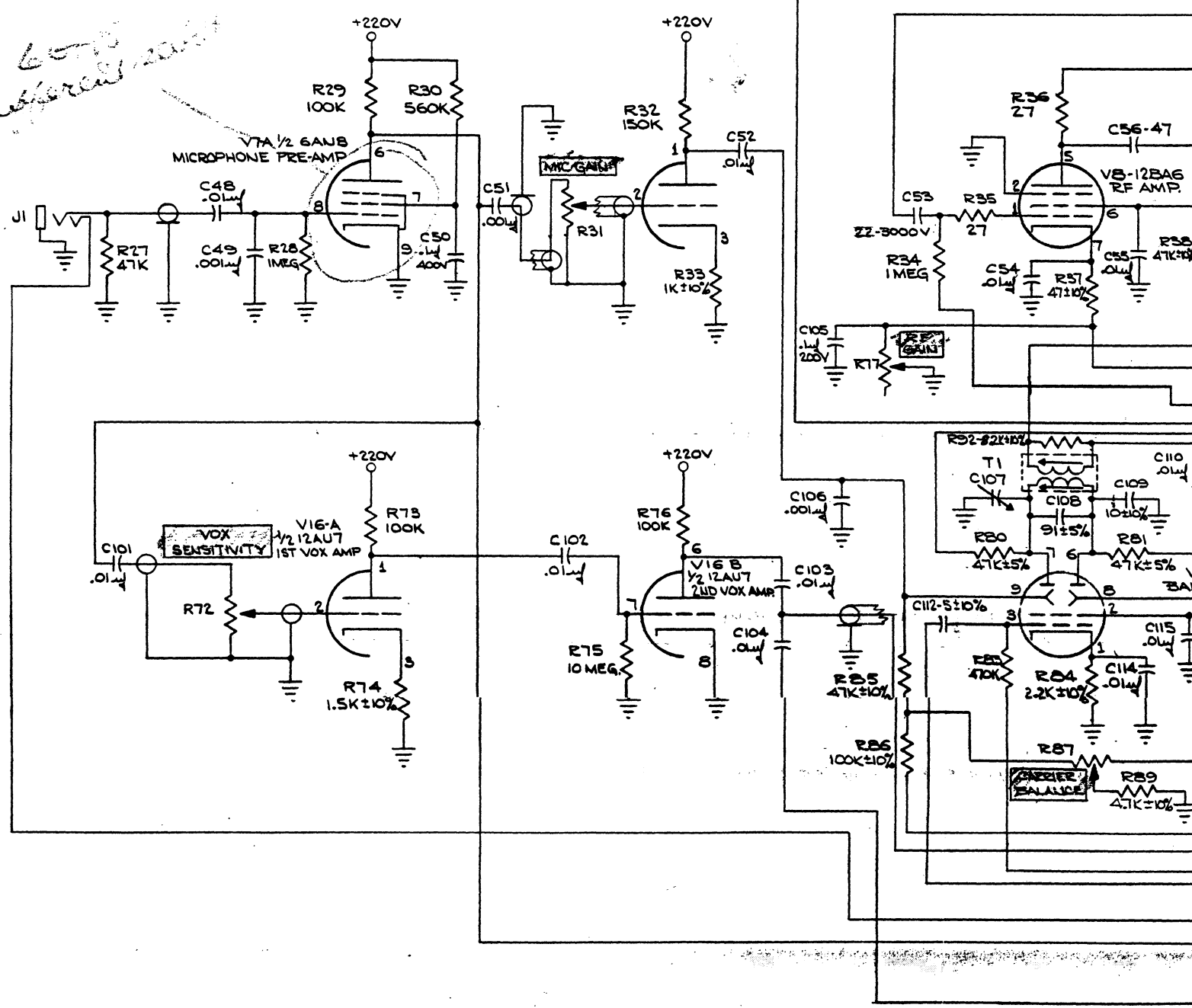
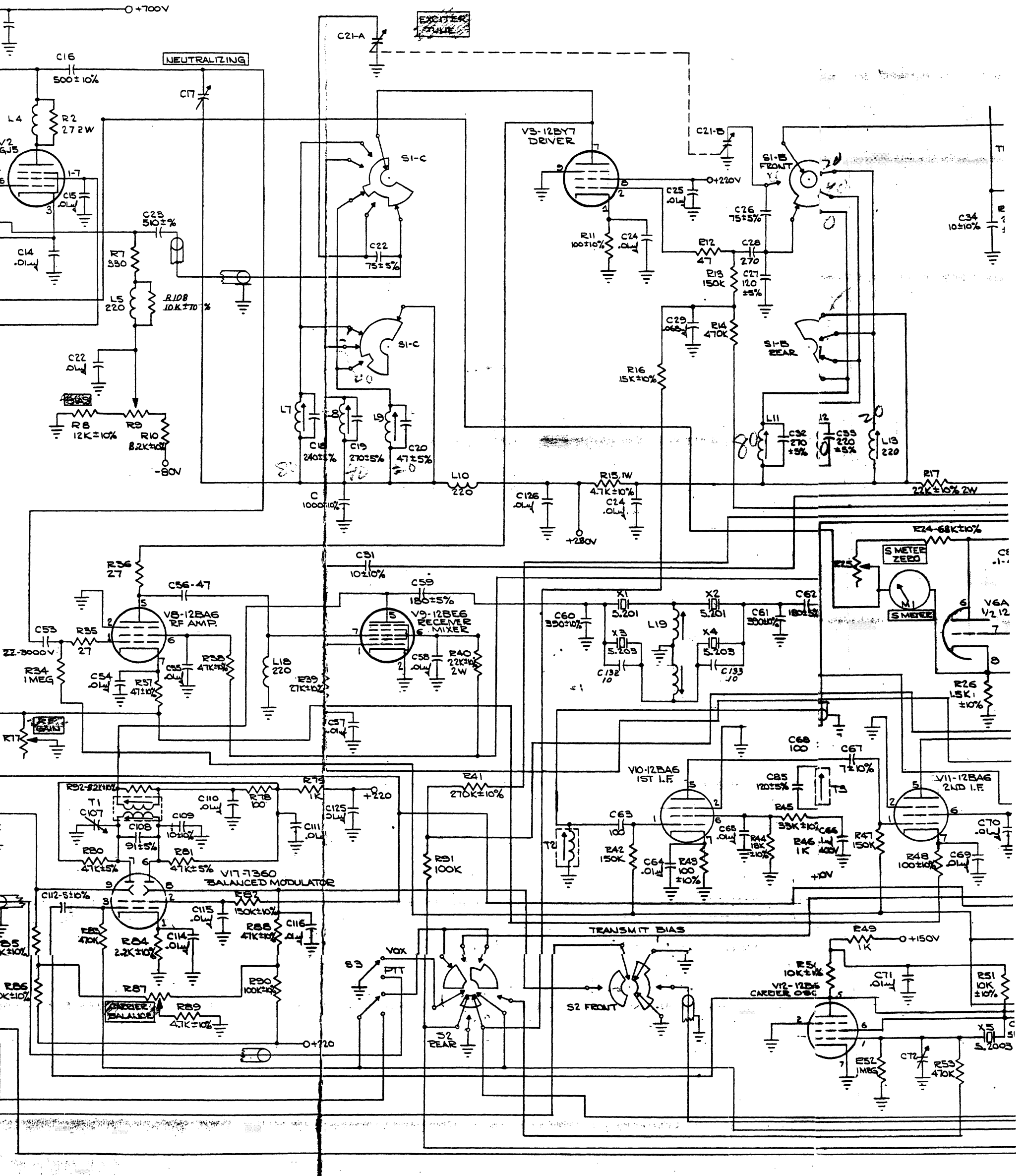
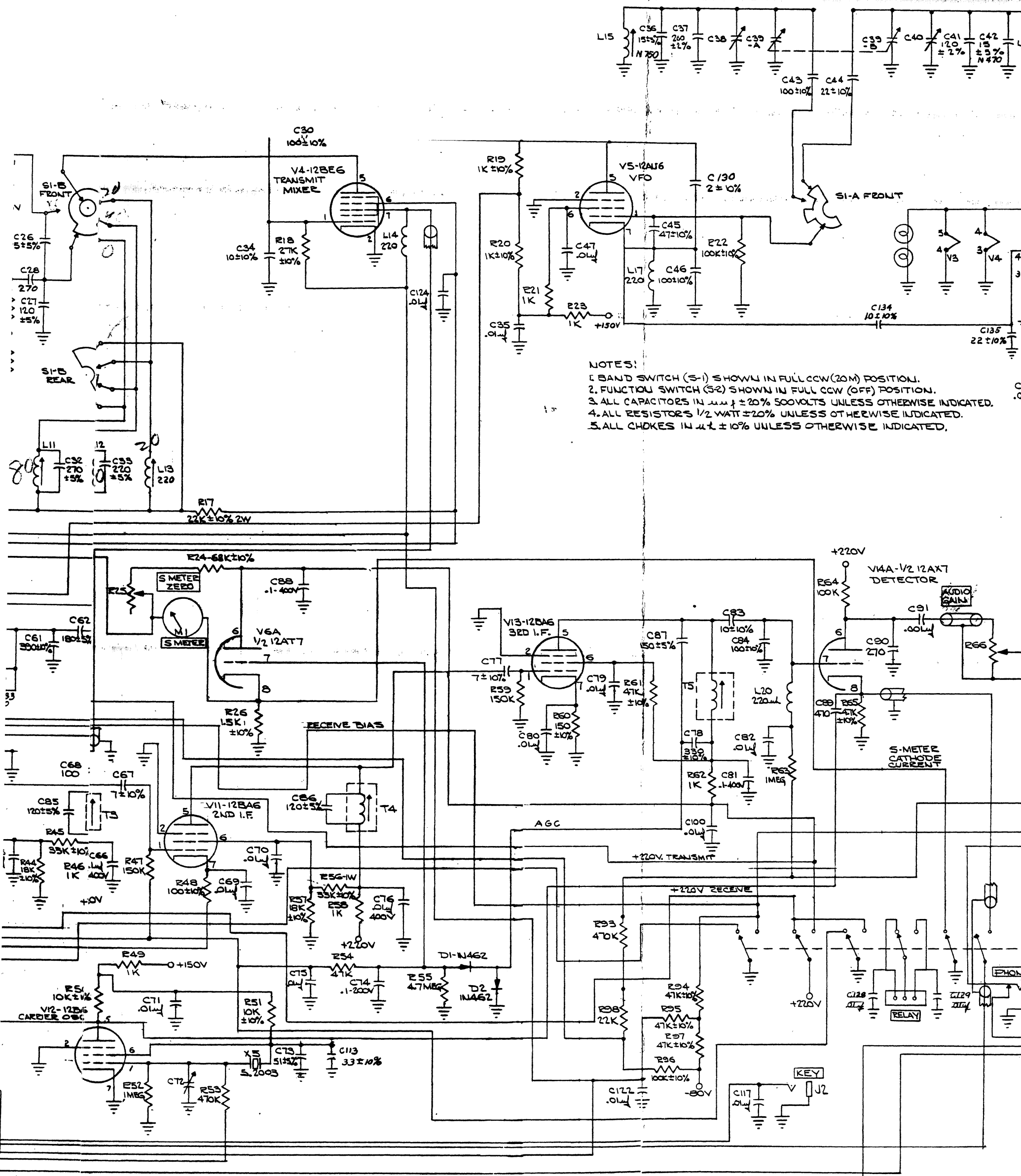


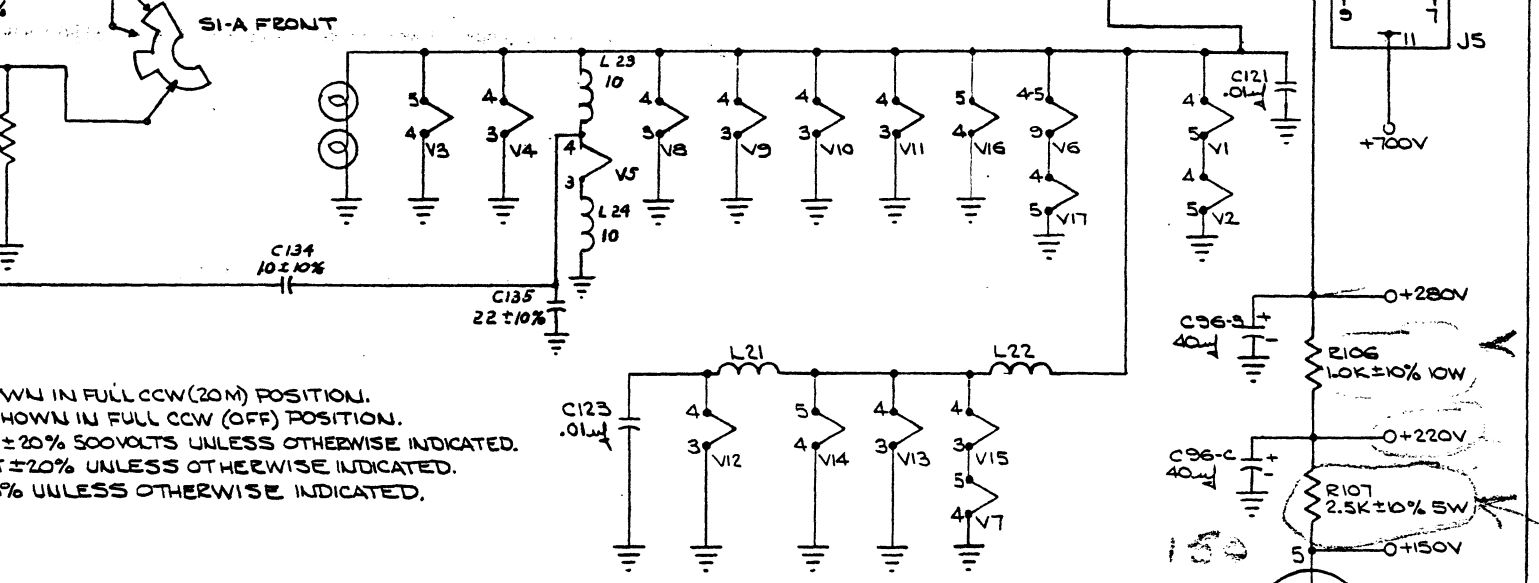
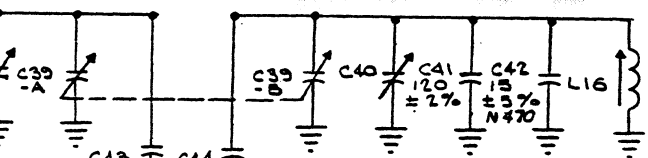
6-75 differential output



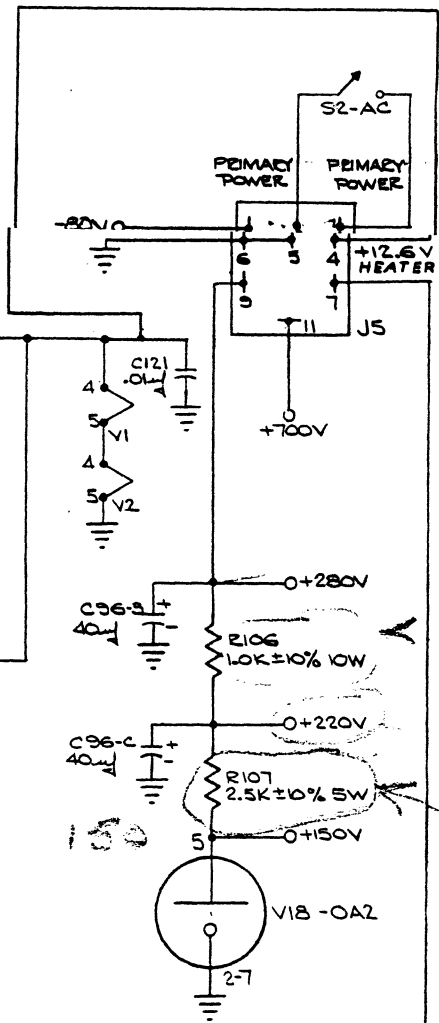




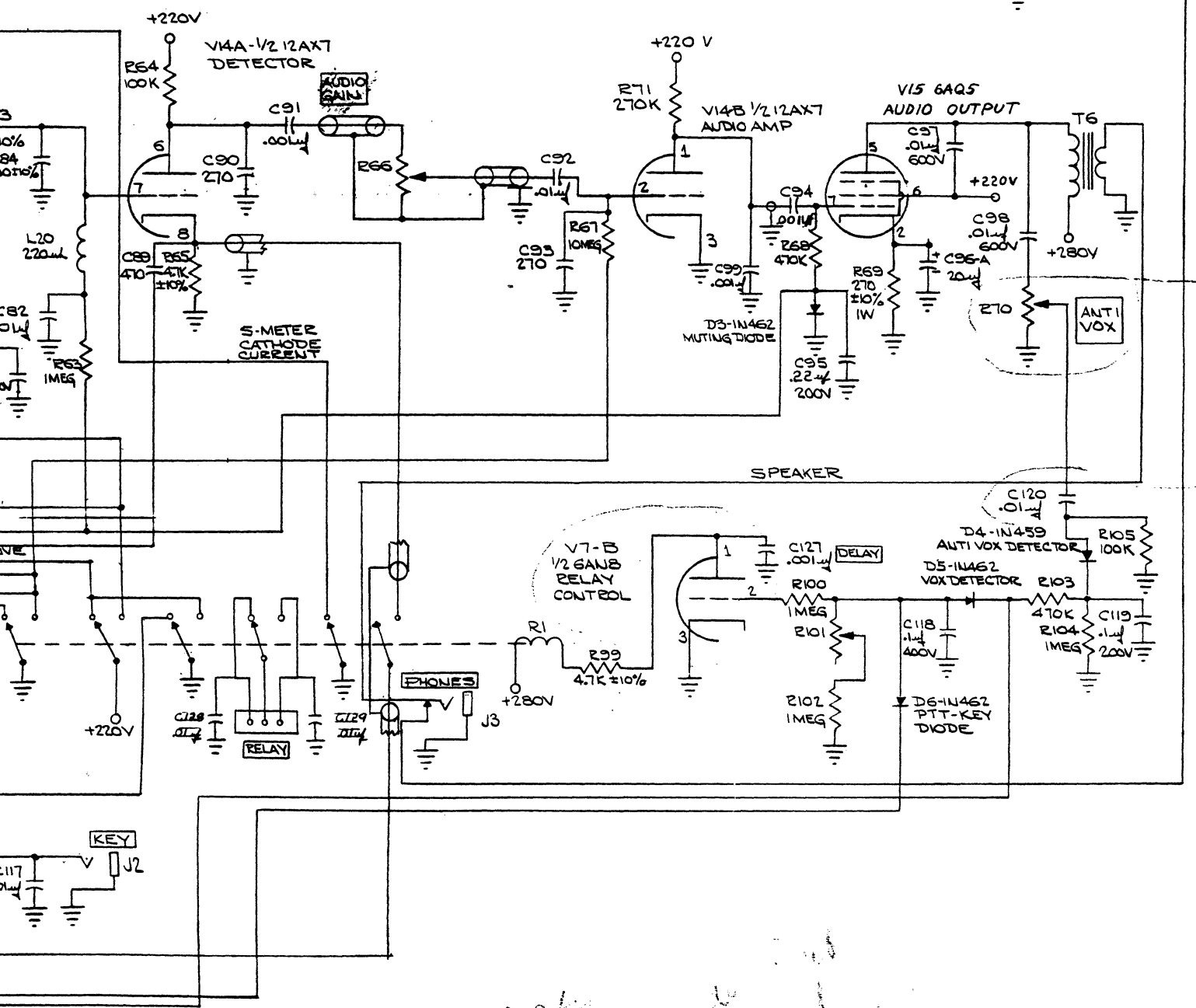
- NOTES:
1. BAND SWITCH (S-1) SHOWN IN FULL CCW (20M) POSITION.
 2. FUNCTION SWITCH (S-2) SHOWN IN FULL CCW (OFF) POSITION.
 3. ALL CAPACITORS IN $\mu\mu\text{f}$ $\pm 20\%$ 500VOLTS UNLESS OTHERWISE INDICATED.
 4. ALL RESISTORS $\frac{1}{2}$ WATT $\pm 20\%$ UNLESS OTHERWISE INDICATED.
 5. ALL CHOKES IN μH $\pm 10\%$ UNLESS OTHERWISE INDICATED.



V1 IN FULL CCW (20M) POSITION.
 DOWN IN FULL CCW (OFF) POSITION.
 ±20% 500VOLTS UNLESS OTHERWISE INDICATED.
 ±20% UNLESS OTHERWISE INDICATED.
 % UNLESS OTHERWISE INDICATED.



Handwritten notes:
 7500
 200 p
 500V
 10V12K



Handwritten notes:
 not here
 all
 main

NCX-3

Handwritten note: ref