





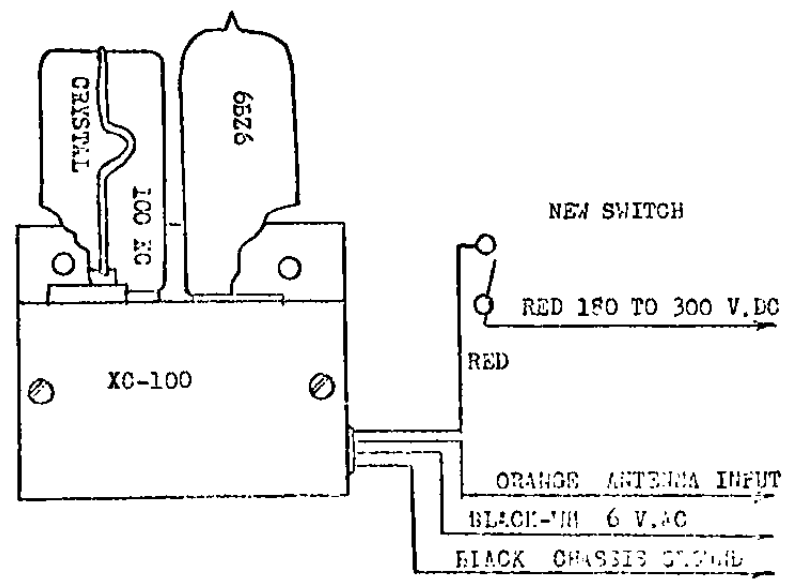
REV. 10-26-55  
 0203-06-00-21  
 475 38658  
 521-474

<b>- REVISIONS</b>		APP.
0	APPROVED 10-26-55	
	0203-06-00-21	
	475 38658	
	521-474	
<p>TOLERANCES</p> <p>FRACTIONS: ± —</p> <p>DECIMALS: ± —</p> <p>ANGLES: ± —</p> <p>UNLESS OTHERWISE SPECIFIED</p>		
SCALE		
FINISH:		
MATERIAL:		
DESCRIPTION:	OLD 1/2 38658	
ITEM:		
PART NO.:		
TITLE:	INSTRUCTIONS FOR INSTALLATION OF XC-100 CRYSTAL CALIBRATOR IN COMM. RECEIVERS	
DRAWN:	J.C.T.	
CHECKED:	[Signature]	
APPROVED:	[Signature]	
FIRST MADE FOR:	XC-100	
MAT.:		
FIN.:		

**INSTRUCTIONS FOR INSTALLATION OF 100 KC CALIBRATOR TYPE XC-100 IN COMMUNICATIONS RECEIVERS**

THE XC-100 CALIBRATOR MEASURES ONLY 1 5/8" x 2" x 3 1/8" HIGH, OVER-ALL, INCLUDING TUBE AND CRYSTAL. IT MAY BE MOUNTED IN ANY POSITION OR LOCATION WHERE THIS SPACE IS AVAILABLE. IT SHOULD NOT BE LOCATED TOO CLOSE TO VERY HOT TUBES, SUCH AS RECTIFIER AND OUTPUT TUBES. TWO MOUNTING HOLES ON 1 3/8" CENTERS ARE PROVIDED IN THE FLANGE OF THE SHIELD COVER. THESE HOLES WILL ACCOMMODATE NO. 6 SCREWS. AFTER DECIDING ON A SUITABLE PLACE FOR MOUNTING THE UNIT, REMOVE THE RECEIVER FROM ITS CABINET AND SECURE THE UNIT IN CHASSIS. LOCATE AND INSTALL THE TOGGLE SWITCH, FURNISHED WITH THE UNIT, AND ITS ON-OFF PLATE ON THE FRONT PANEL OR WHEREVER DESIRED. DRESS THE WIRE LEADS OF THE UNIT AND CUT, STRIP AND TIN THE ENDS TO THE REQUIRED LENGTHS FOR CONNECTIONS AS SHOWN IN THE SKETCH BELOW. THE PART CUT FROM THE RED WIRE MAY BE USED TO CONNECT FROM THE SWITCH TO THE NEAREST POINT WHERE B VOLTAGE IS AVAILABLE. THE TOGGLE SWITCH WILL MOUNT IN A 15/32" OR 1/2" DIA. HOLE. AFTER THE UNIT HAS BEEN INSTALLED, ALLOW THE RECEIVER TO WARM UP AND TUNE IN A SIGNAL OF KNOWN FREQUENCY, SUCH AS WWV ON 5 MC AND WITH THE BEAT OSC "OFF" ADJUST THE CALIBRATOR TRIMMER FOR ZERO BEAT. THIS SHOULD BE DONE WHILE THE MODULATION OF THE STANDARD FREQUENCY SIGNAL IS OFF. REPLACE THE RECEIVER IN ITS CABINET. THE CALIBRATOR, IN CONJUNCTION WITH THE BEAT OSC SHOULD GIVE GOOD STRENGTH SIGNALS AT EVERY 100 KC INTERVAL WITHIN THE RANGE OF THE RECEIVER.

THE ORANGE ANTENNA LEAD IS ISOLATED WITHIN THE UNIT BY A SERIES 8 MUF CAPACITOR AND MAY BE PERMANENTLY CONNECTED TO THE ANTENNA INPUT WITHOUT AFFECTING THE NORMAL PERFORMANCE OF THE RECEIVER.



ALL DIMENSIONS IN INCHES

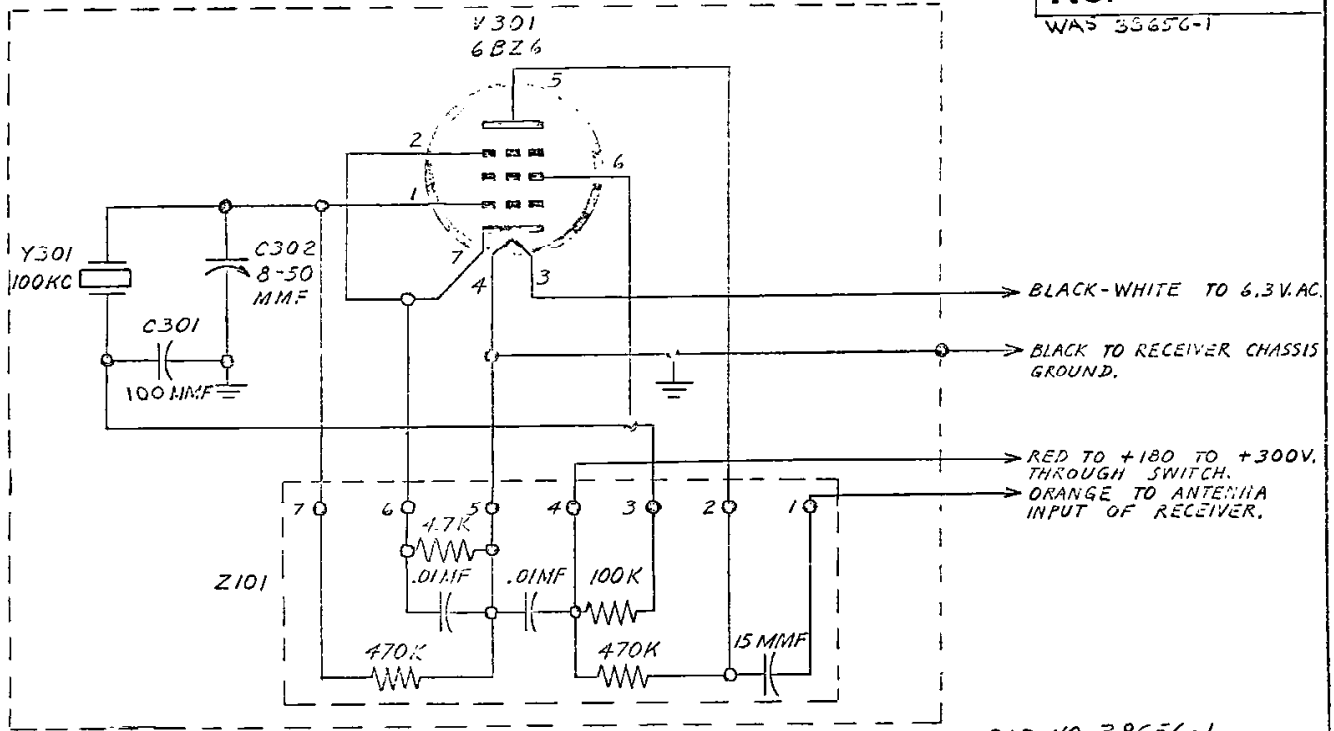
DO NOT SCALE THIS DRAWING

WAS 38658

NO. 0203-06-00-21

ALL DIMENSIONS IN INCHES DO NOT SCALE THIS DRAWING

No. 38656-1  
WAS 38656-1



BLACK-WHITE TO 6.3V.A.C.  
BLACK TO RECEIVER CHASSIS GROUND.  
RED TO +180 TO +300V. THROUGH SWITCH.  
ORANGE TO ANTENNA INPUT OF RECEIVER.

OLD NO. 38656-1

REVISIONS	APP.	DATE	PART NO.	ITEM	DESCRIPTION	MAT.	FIN.
0							
1							
2							
3							
4							

TOLERANCES	TITLE: <i>CIRCUIT DIAGRAM - XC-100</i>
FRACTIONS: ±	MATERIAL:
DECIMALS: ±	FINISH:
ANGLES: ±	HAMMARLUND
UNLESS OTHERWISE SPECIFIED	NEW YORK
SCALE	FIRST MADE FOR XC-100
	DRAWN <i>R. PALO</i>
	CHECKED <i>1/1</i>
	APPROVED