

## Hallicrafters, Inc.

**Model:** SX-28A

**Chassis:**

**Year:** Pre 1948

**Power:**

**Circuit:**

**IF:**

**Tubes:**

**Bands:**

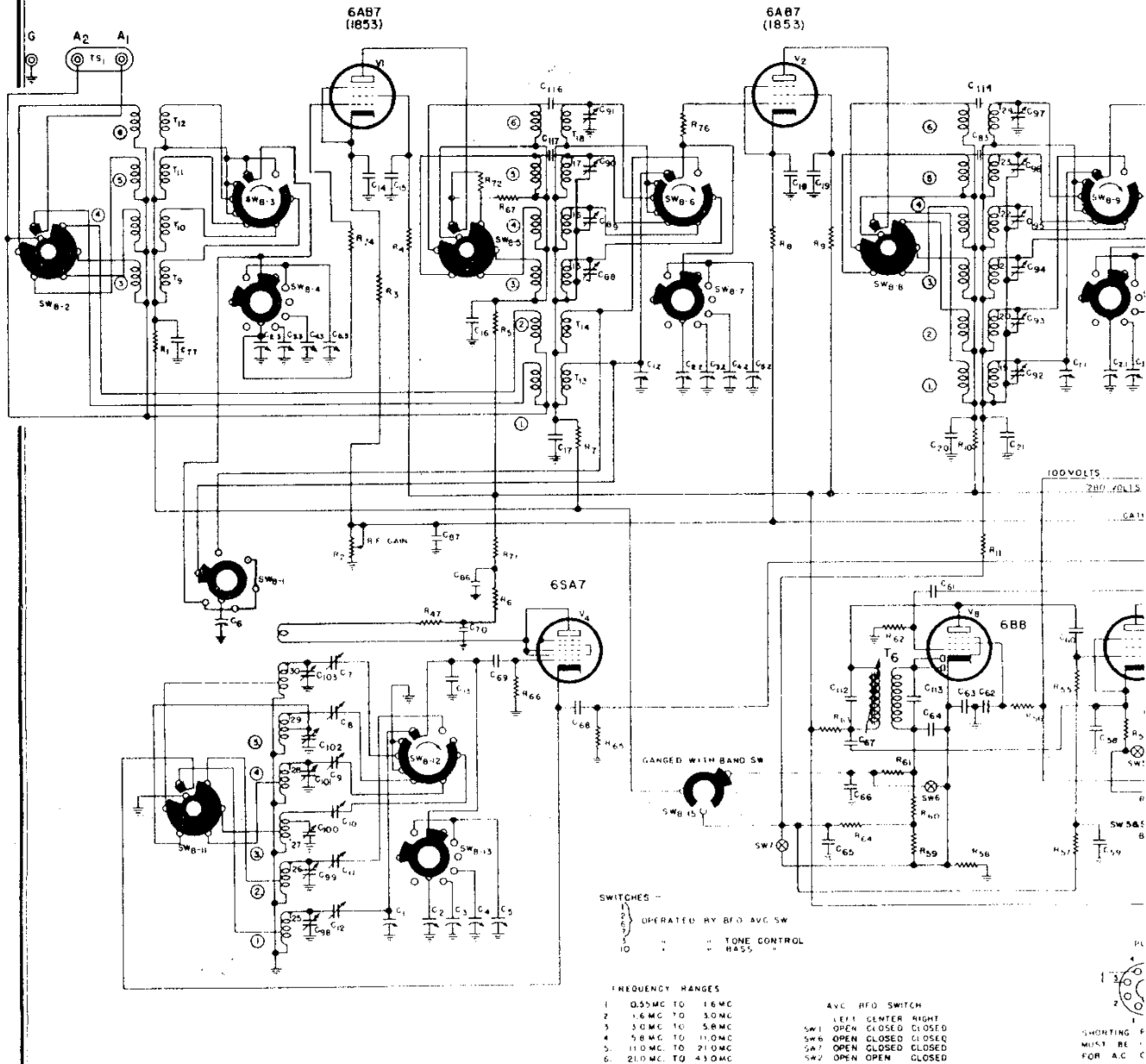
### Resources

[Riders Volume 16 - HALLICRAFTERS 16-3](#)

[Riders Volume 16 - HALLICRAFTERS 16-4](#)

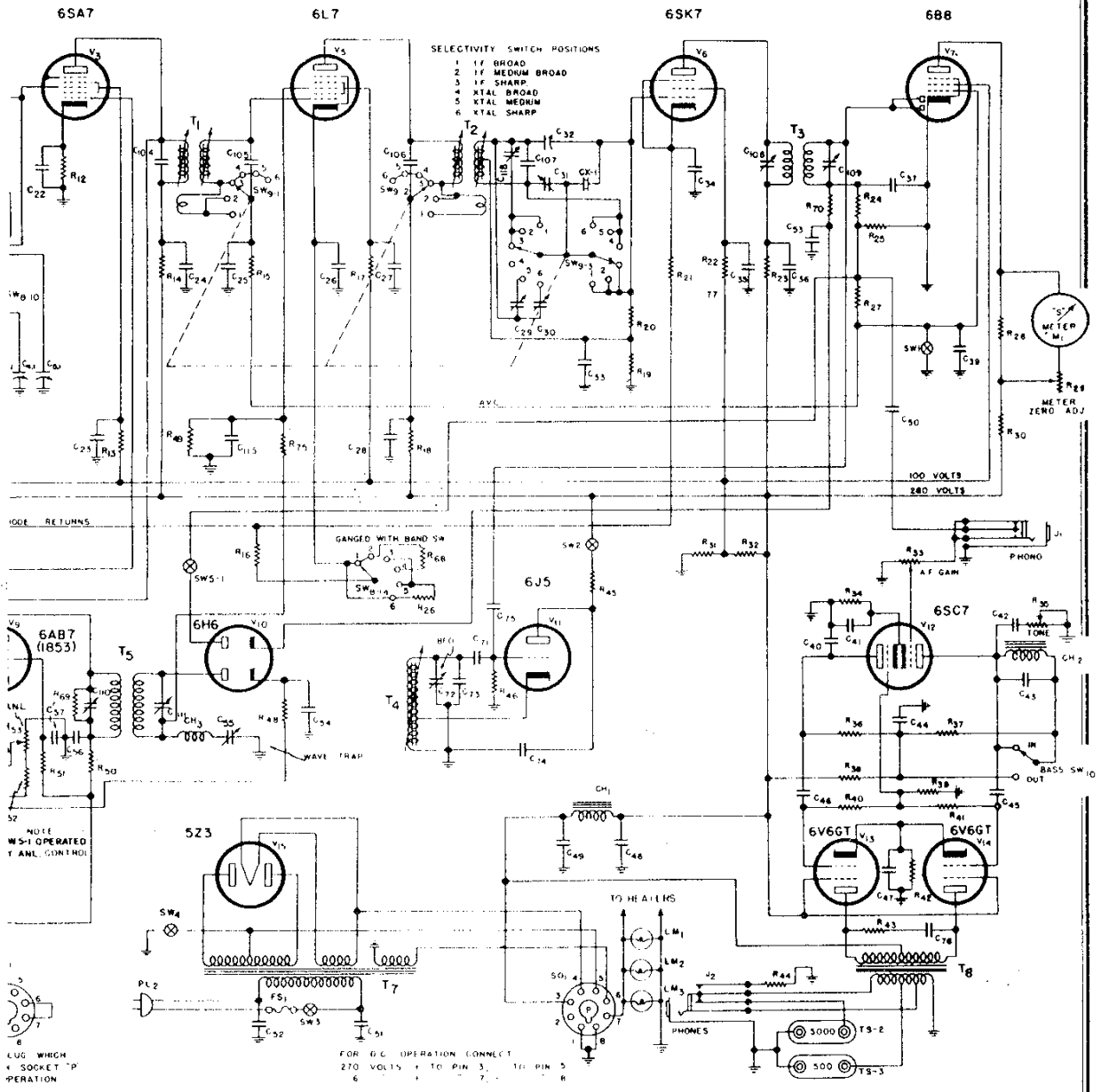
[Riders Volume 16 - HALLICRAFTERS 16-5](#)

[Riders Volume 16 - HALLICRAFTERS 16-6](#)



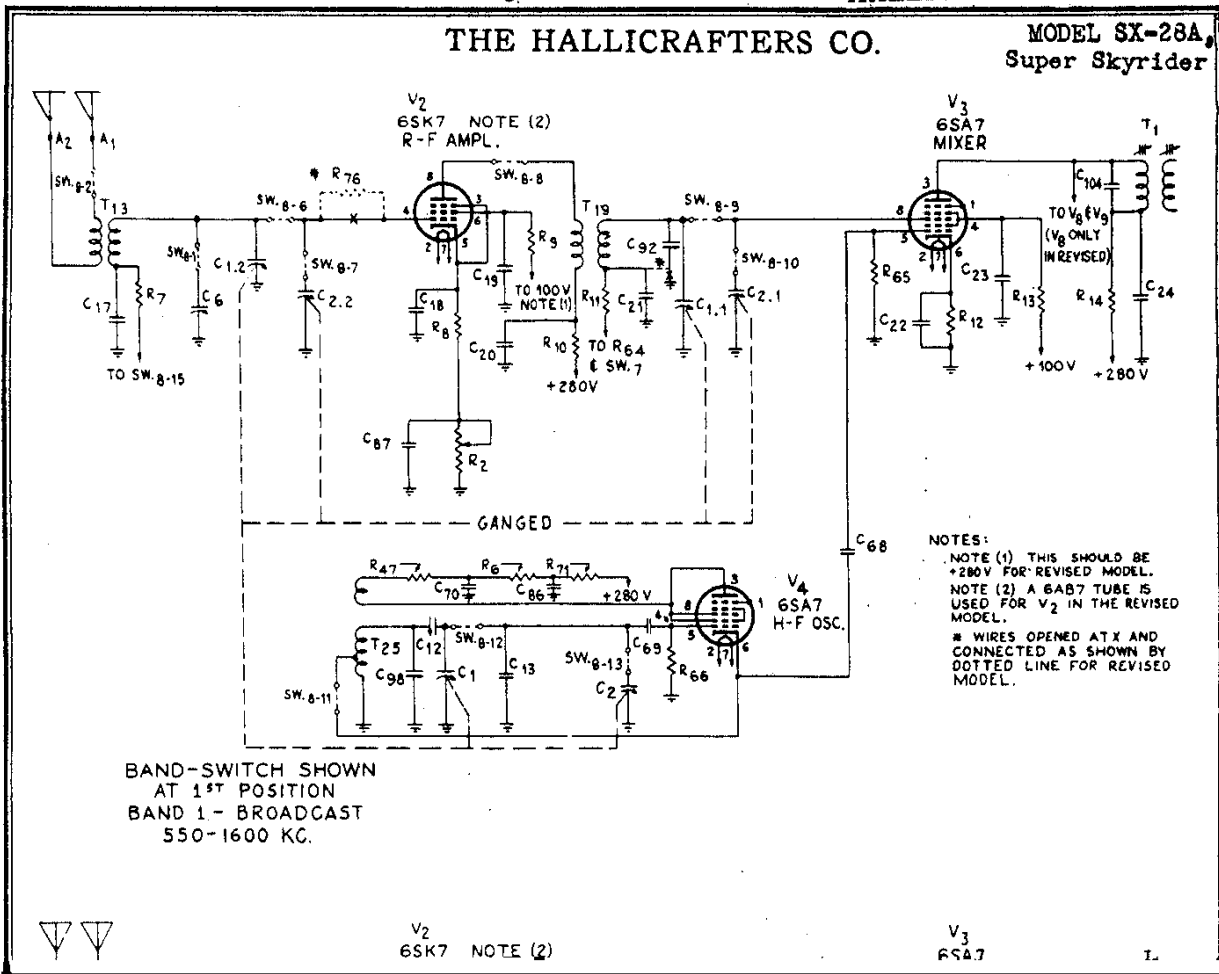
AFTERS CO.

MODEL SX-28A, Super Skyrider



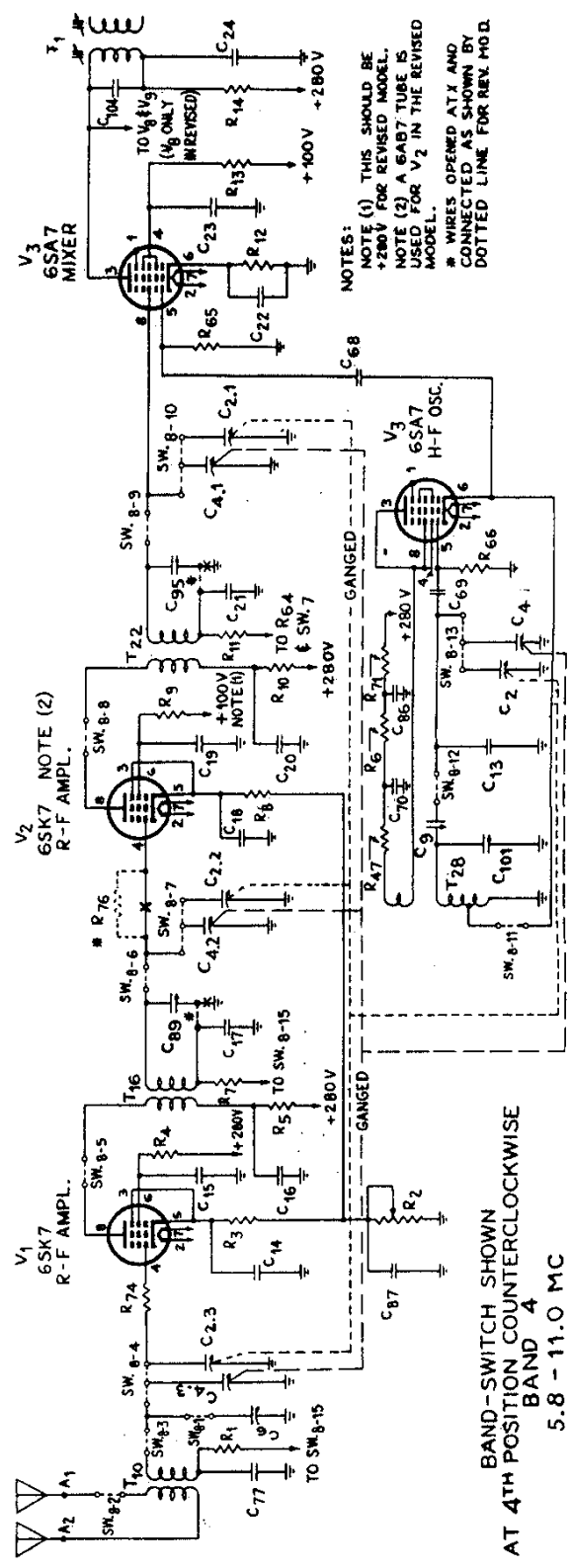
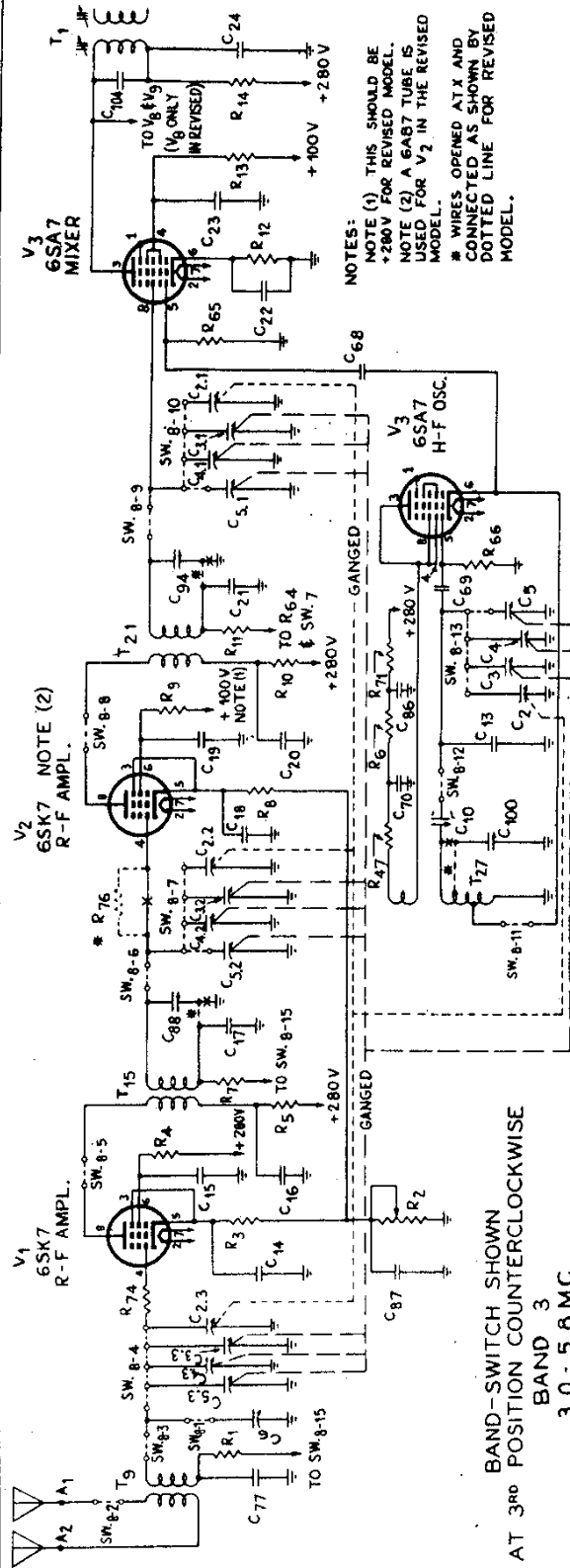
THE HALLICRAFTERS CO.

MODEL SX-28A,  
Super Skyrider



MODEL 8X-28A,  
Super Skyriders

THE HALLICRAFTERS CO.



NOTES:  
NOTE (1) THIS SHOULD BE +280V FOR REVISED MODEL.  
NOTE (2) A 6AB7 TUBE IS USED FOR V<sub>2</sub> IN THE REVISED MODEL.  
\* WIRES OPENED AT X AND CONNECTED AS SHOWN BY DOTTED LINE FOR REVISED MODEL.

NOTES:  
NOTE (1) THIS SHOULD BE +280V FOR REVISED MODEL.  
NOTE (2) A 6AB7 TUBE IS USED FOR V<sub>2</sub> IN THE REVISED MODEL.  
\* WIRES OPENED AT X AND CONNECTED AS SHOWN BY DOTTED LINE FOR REV. MOD.