

SECTION II

TECHNICAL DATA

TUBES AND FUNCTIONS

V1	12AW6	Receiver RF Amplifier	V9	12AT7	First and Second Microphone Amplifier
V2	12BE6	Receiver Mixer	V10	6AM8A	AVC/AALC Amplifier-Detector
V3	12B76	First IF Amplifier	V11	12BE6	Heterodyne Oscillator and Mixer
		Meter Amplifier	V12	6X2	Voltage Regulator
V5	12AX7A/ ECC83	Product Detector and First Audio Amplifier	V13	12BE6	Transmitter Mixer
V6	6AQ5A	Receiver Audio Output	V14	12BY7A	Transmitter Driver
V7	12AU6	100-KC Calibrator Oscillator (Not supplied with unit.)	V15	8236	Transmitter Power Amplifier
V8	12AT7	Carrier Oscillator/BFO and Third Microphone Amplifier	V16	8236	Transmitter Power Amplifier
			V17	6EA8	VFO and Cathode Follower

FREQUENCY COVERAGE:

Three-band Capability — Full frequency coverage provided for 80, 40, and 20 meter amateur bands. The frequency range of each band is as follows:

80M Band: 3500 KC - 4000 KC
40M Band: 6900 KC - 7400 KC
20M Band: 13900 KC - 14400 KC

OPERATION:

Single Sideband — LSB 80M and 40M bands
USB 20M band
Push-to-talk control (VOX-optional accessory)

CW — Manual

FRONT PANEL CONTROLS:

RIT CONTROL (OFF/ON); RF - AF GAIN; OPERATION (OFF/REC ONLY/CW TUNE/SSB/CAL); DIAL CAL; FREQUENCY; BAND SELECTOR (80M/40M/20M); DRIVER TUNE; CARRIER-MIC GAIN; FINAL TUNE.

GENERAL:

Dial Calibration — 5-KC increments.

Calibration Accuracy — Less than 2 KC between 100-KC points after indexing. (Built-in 100-KC crystal calibrator circuit requires 100-KC crystal and 12AU6 tube to operate.)

VFO — 500-KC tunable range.

Stability — Within 300 CPS after warmup.

Tubes — 16 plus one voltage regulator, six diodes, one varicap, and two zener regulators.

Ambient Temperature Range — Minus 20° to plus 50°C.

Construction — Rugged, lightweight aluminum.

Dimensions (HWD) — 6-3/8 by 13 by 11 inches.

Net Weight — 13-1/4 pounds.

Shipping Weight — 18 pounds (nominal).

TRANSMITTER:

Output Tubes — Two 8236 tubes in parallel.

Output Impedance — Fixed, 50-ohm pi-network.

Power Input — SSB 500 watts PEP MAX.
CW 300 watts MAX.

Carrier and Unwanted
Sideband Suppression — 50 DB.

Distortion Products — 30 DB.

Audio Response — 600 CPS to 2800 CPS
(3 DB).

Microphone Input — High impedance.

RECEIVER:

Sensitivity — 1 microvolt for a 20-DB signal-to-noise ratio.

Audio Output — 2 watts.

Output Impedance — 3.2 ohms.

Overall Gain — 1 microvolt for 1/2-watt output.

Antenna Input — 50 ohms.

Single Conversion — IF is 5200 KC.

Crystal-lattice filter — 5200 KC.

ACCESSORIES:

Mobile Installation Kit Model MR-160 — Contains mounting brackets and interconnecting cable to power the Model SR-500 Transceiver from the Model PS-500 DC Power Supply. The cable length is 18 feet and may be cut to the length required for the installation.

Net Weight — 3-1/2 pounds.

Shipping Weight — 4-1/2 pounds (nominal).

12-volt DC Power Supply PS-500-DC — Designed for out-of-the-way engine compartment installation. . . terminal strip provides for quick and easy connection to the interconnecting cable. Contains two silicon diode bridge rectifiers, one silicon diode bias rectifier, one protective diode and four power transistors. The battery supply leads supplied are five feet long with heavy terminal lugs for # 10 screw terminals.

Input Power Requirements:

Transmit 16 to 40 amperes max.

Receive 10 amperes.

Dimensions (HWD) — 3-3/4 by 8-1/4 by 6 inches

Net Weight — 8-1/4 pounds.

Shipping Weight — 10 pounds (nominal).

117-volt AC Power Supply Model PS-500-AC — Styled as a companion unit to the Model SR-500 Transceiver, this supply also contains a 4-inch by 6-inch speaker . . . one-cable connection carries power to, and audio from, the transceiver . . . may be plugged into any 117-volt wall outlet . . . contains nine silicon diode rectifiers.

Input Power Requirements:

Transmit 700 watts max.

Receiver 140 watts.

Dimensions (HWD) — 6-1/4 by 7-1/2 by 10 inches.

Net Weight — 22 pounds.

Shipping Weight — 28-1/2 pounds (nominal).

VOX Control Unit Model HA-16 — Designed for quick attachment to rear of Model SR-500 cabinet to provide voice controlled operation. Power is derived from Model SR-500 through a single plug-in connector. Contains three tubes and sensitive VOX relay.

Net Weight — 3/4 pound.

Shipping Weight — 1-1/2 pounds (nominal).

100-KC Calibrator Crystal — The correct type calibrator crystal unit may be obtained under Hallicrafters part number 019-002712 or may be obtained from a crystal supplier to the following specifications:

Frequency — 100,000 KC ± .005%.

Resonance — parallel.

Load Capacity — 20 μμ F.

Holder Type — HC-13/U

**SECTION III
INSTALLATION**

WARNING

LETHAL HIGH VOLTAGE IS PRESENT WITHIN THIS EQUIPMENT. BE CAREFUL WHEN INSTALLING THE UNIT.

AND WHEN PERFORMING CHECKS UNDER THE CHASSIS.

3-1. UNPACKING.

Carefully remove this equipment from its carton and packing material and examine it for any possible damage which may have occurred during transit. Should any sign of damage be apparent, immediately file a claim with the carrier.

ping labels and tags for special instructions before removing or destroying them.

3-2. LOCATION.

The Model SR-500 Transceiver may be placed in any location permitting free air circulation through the ventilation openings in the cabinet. However, excessively warm locations such as those adjacent to radiators and heating units should be avoided.

3-3. ANTENNAS.

Antenna connections are provided on the rear of the transceiver, as shown in figure 2. If a common antenna is used, the antenna switch (S4) must be in the COMMON (down) position and the antenna connected to the COMMON connector. If separate antennas are used, the switch must be in the SEPARATE (up) position, and the receiver antenna connected to the top REC. ONLY connector (J6) and the transmitter antenna connected

Refer to the ARRL handbook or similar publications for the selection and installation of antennas. An antenna system which terminates properly into a 50-ohm transmission line will satisfy the load requirements of the Model SR-500 Transceiver.

NOTE

Never operate the transceiver without connecting to an antenna load or to a resistive dummy load.

3-4. BASE INSTALLATIONS.

The Model SR-500 Transceiver as a base station may be operated with or without a linear power amplifier.

To operate the Model SR-500 from 117-volts AC, the Model PS-500- AC Power Supply, or an equivalent supply, is required. Merely connect the multiconductor plug, attached to the power supply, to the POWER receptacle on the rear of the transceiver; connect the line cord to the wall outlet; and connect the antenna system to the transceiver ANTENNA receptacles as outlined in paragraph 3-3. Check the 117 VAC/MOBILE switch accessible through the underside of the cabinet. For AC operation it must be set at the 117 VAC position. A four- by six-inch speaker is contained within the power supply and is interconnected to the transceiver through the cable. The microphone

push-to-talk style microphone wired as shown in figure 8 is required. The microphone cable connector is an Amphenol 80-MC2M.

Figure 3 shows a typical base installation, in block diagram form, making use of a linear power amplifier and an external antenna change-over relay. In the installation shown, the receiver input is connected directly to the antenna relay through the top ANTENNA connector (J6); the transmitter output of the transceiver is obtained through the bottom ANTENNA connector (J5) and fed to the linear amplifier input. If desired, two

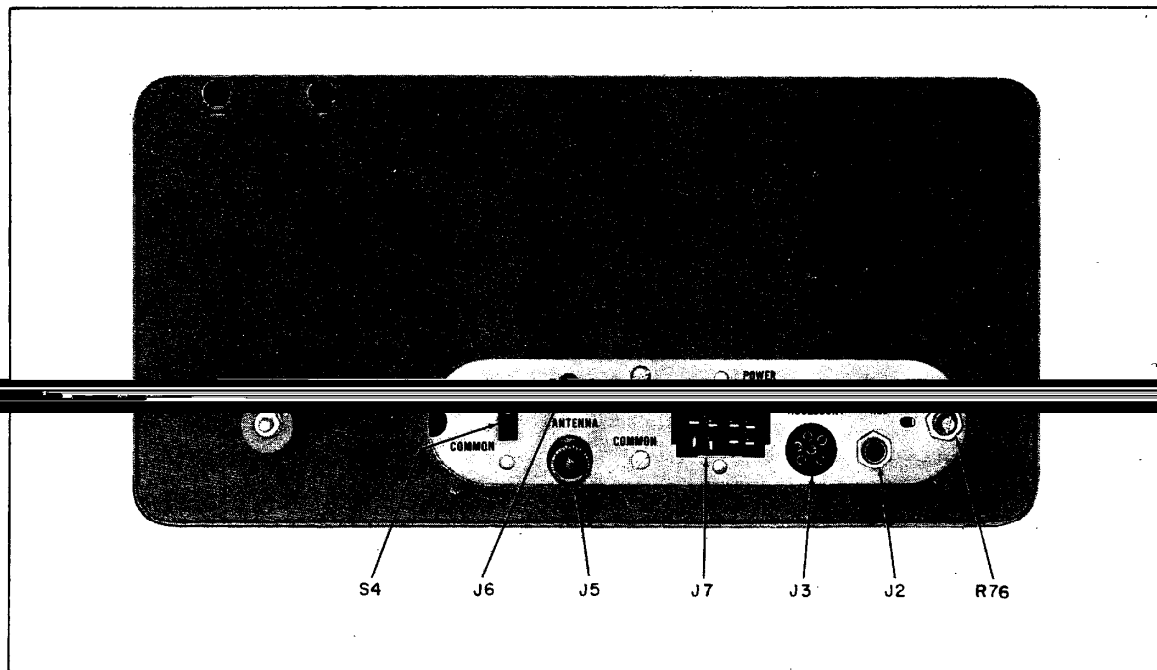


Figure 2. Rear Panel View of Transceiver.

156-002824D

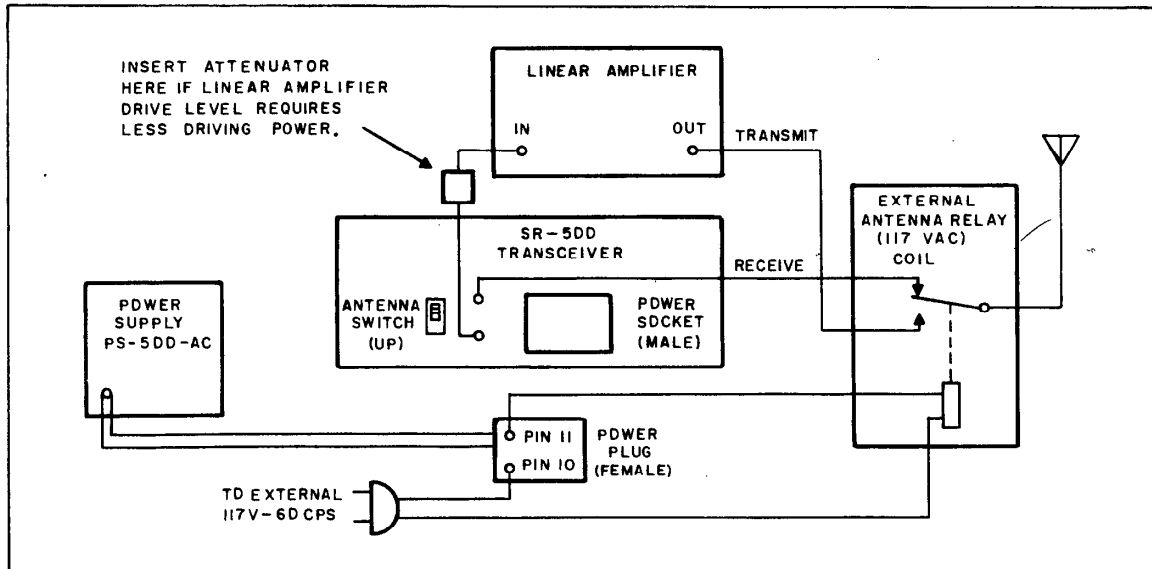


Figure 3. Base Installation, Using a Linear Amplifier.

156-005773

separate antennas may be used in the installation shown, eliminating the use of the antenna change-over relay.

Pins 10 and 11 of the POWER plug connect to internal relay contacts on the antenna relay (K2) of the transceiver and may be connected into the circuit to control the external antenna relay as shown. Push out the retaining pin in the cable connector and loosen the cable clamp to gain access to the plug wiring.

IMPORTANT

Before operating the Model SR-500 as a transmitter, the bias adjustment control located on the power supply must be set. Refer to paragraphs 8-3 and 9-2 for details.

3-5. MOBILE INSTALLATION.

The Model SR-500 Transceiver may be installed in any vehicle having a 12-volt DC power source. To complete the mobile installation, a Model PS-500 DC Power Supply, a Model MR-160 Mobile Installation Kit (figures 4 and 5) and a mobile antenna system will be required.

The PS-500 DC Power Supply, is wired for vehicles having the negative side of the battery grounded. The Model SR-500 Transceiver and VOX accessory unit will operate normally in mobile installations of this type.

The Model PS-500-DC Power Supply may be installed in any convenient location. In the installation discussed in this book, the power supply will be installed in the engine compartment. (See figure 6.) Mount the power supply securely, using self-tapping screws. Position the power supply in such a manner that the side with the terminal strips is accessible.

Run the multiconductor power cable supplied in the installation kit MR-160 from the Model SR-500 Transceiver thru the firewall to the PS-500-DC Power Supply. Since this cable is weatherproof, it may be threaded underneath the vehicle if desired. Cut the cable to the desired length, strip the wires, and connect these wires to the terminal strip on the power supply. (See figures 7 and 18 for color coding and terminal numbering.)

IMPORTANT

Install the battery connections to the car battery last. Before connecting to the vehicle's battery, check the transceiver, if already interconnected, to ascertain that the OPERATION switch is in the OFF position, and the 117 VAC/MOBILE switch is set at MOBILE. See figure 13 for switch location.

Connect the two NO. 8 AWG wires supplied with the power supply to the battery. The red wire should be connected to the positive (+) side of the battery and the brown wire to the negative (-) side of the battery. As a circuit refinement the positive

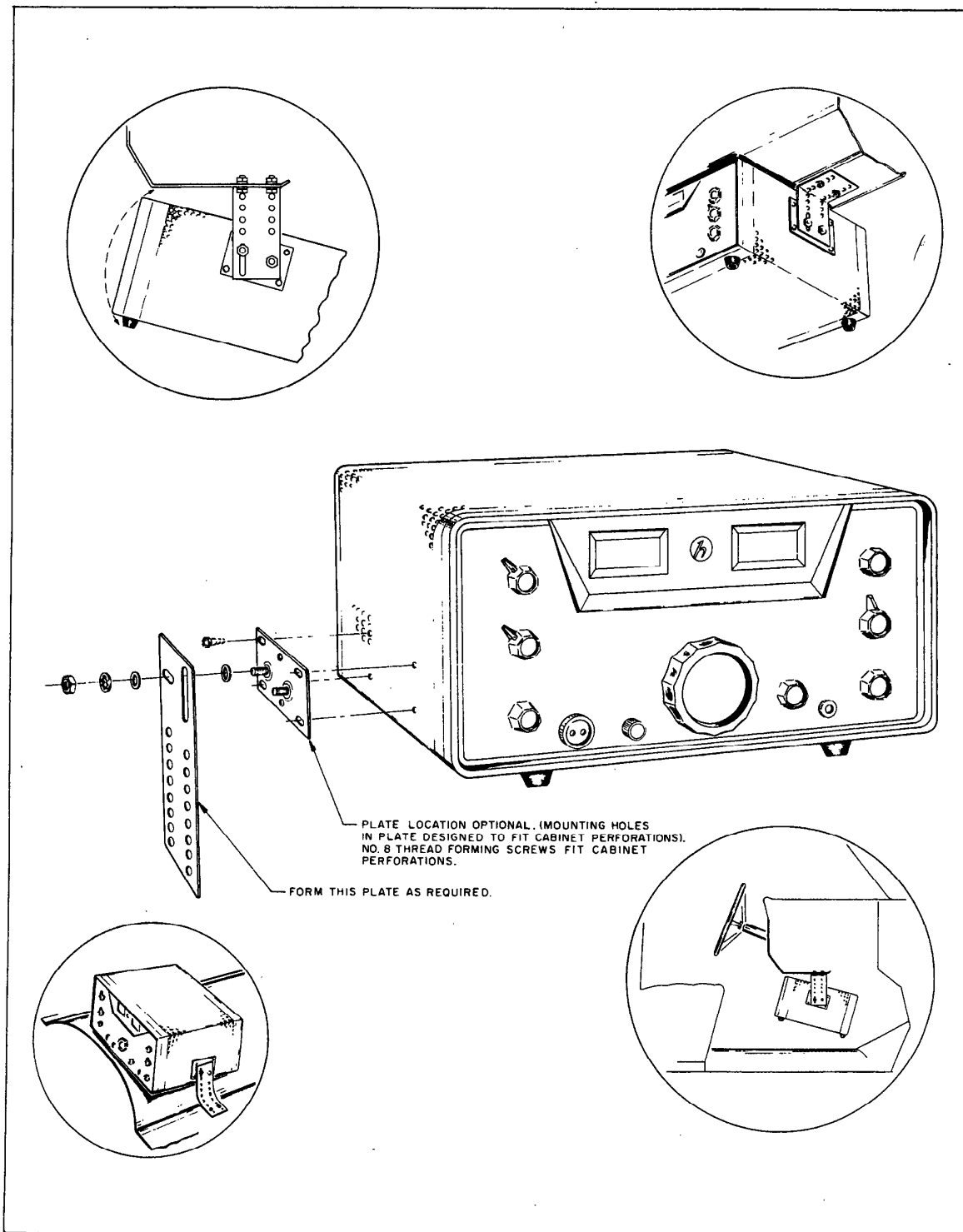
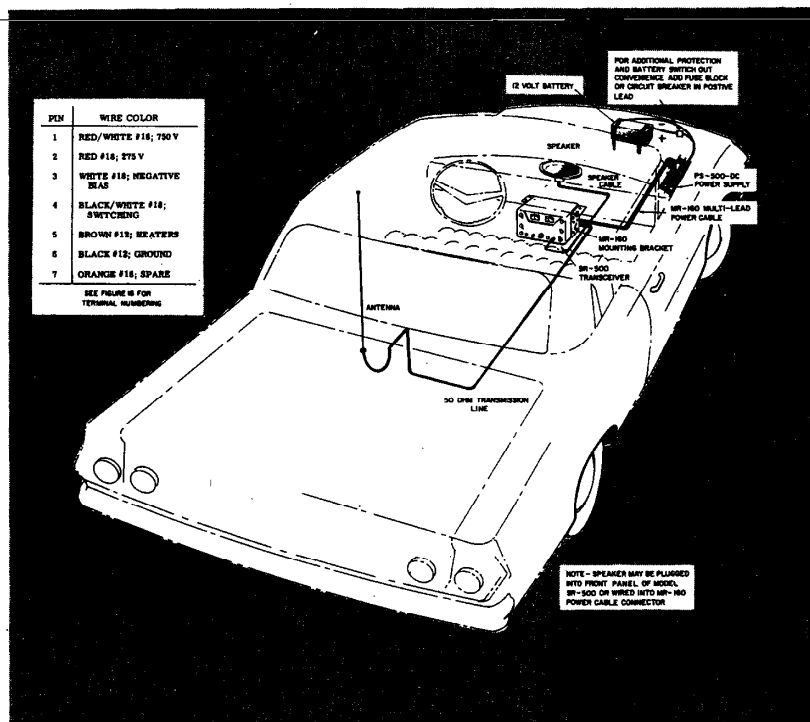


Figure 5. Typical Mobile Installations of Transceiver, Using MR-160 Installation Kit.

156-002826



156-005778

Figure 6. Wiring Diagram of Mobile Installation.

lead should be connected to the battery through a fuse block or circuit breaker (not supplied) with current capacity in excess of 30 amperes to protect the battery in the event of an accidental short in the wiring.

CAUTION

USE CARE WHEN MAKING CONNECTIONS TO THE BATTERY IN THE VEHICLE. THE POWER IN A BATTERY CAN CAUSE DANGEROUS BURNS AND EVEN EXPLOSION IF SHORT CIRCUITED.

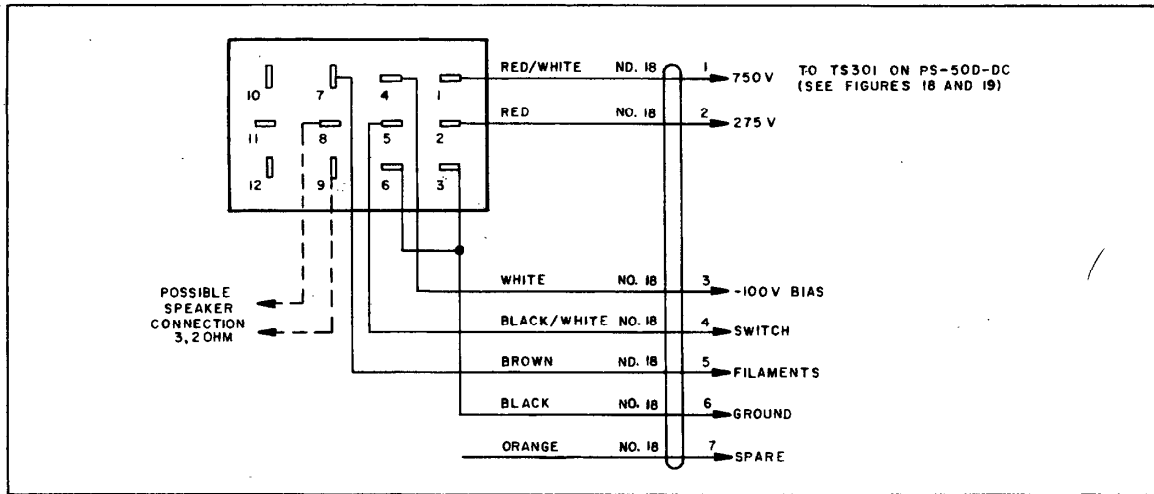
Connect the speaker to the jack provided on the front panel of the Model SR-500. This jack accepts a standard PL55 type plug. The speaker may also be connected to the rear of the Model SR-500 through the POWER receptacle (J7), terminals 8 and 9 (see figure 7). Use of the auto radio loudspeaker is not recommended unless a switch is installed to remove the speaker from the auto radio when operating the Model SR-500. Hallicrafters' mobile speaker unit Model R-49 is recommended when the installation incorporates a separate speaker system.

Install the antenna system in the manner recommended by the antenna manufacturer. Connect the coaxial cable from the antenna to the COMMON ANTENNA receptacle at the rear apron of the Model SR-500. (Check the selector switch; it should be in the COMMON position-down.) The COMMON ANTENNA receptacle on the Model SR-500 mates with a UHF series single contact connector PL-259 (Amphenol 83-1SP or equal) connector. The REC ONLY antenna connector mates with a phono pin plug type of connector. Use care when soldering the center conductor of the coaxial cable to the plug pin. Solder on the outside surface of the pin can damage the receptacle on the transceiver.

Connect a suitable microphone to the receptacle provided on the front panel. The microphone receptacle mates with an Amphenol 80-MC2M cable connector. It is important that the internal wiring of the microphone be as shown in figure 8.

IMPORTANT

Before operating the Model SR-500 as a transmitter, set the bias adjustment control on the PS-500-DC Power Supply as outlined in paragraph 10.2.



156-002907

Figure 7. Schematic Diagram of Model MR-160 Interconnecting Cable.

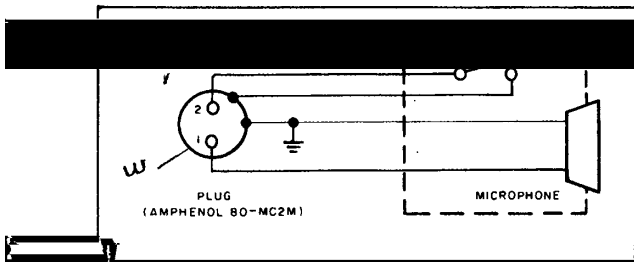


Figure 8. Required Microphone Wiring.

Only after familiarizing yourself with the controls and their functions, as outlined in Sections IV and V, should you perform an operational check. It is recommended that the engine be running while operating the Model SR-500 Transceiver to prevent draining power from the battery.

3-6. MOBILE NOISE SUPPRESSION

The following suggestions may be helpful in the suppression of noise encountered in mobile

operation. Install resistor-type spark plugs and

generator and voltage regulator leads. Install bracket-mounted coaxial capacitors in the generator and battery leads to the voltage regulator and connect a 0.005 μ F mica or disc capacitor from the generator lead to ground. Chokes may be used in the generator fields and armature leads instead of the bypass capacitors - approximately 12 turns of NO. 18 wire on a 1/4-inch powdered iron core of NO. 12 or NO. 14 wire on a 1/4-inch powdered iron core for the armature lead choke.

Hallicrafters has available a Mobile Noise-Suppression Kit, Model HA-3, which will fulfill any suppression requirements of this installation.

Additional information, concerning the proper suppression of mobile noise, is available in the ~~MANUAL OF INSTRUCTIONS FOR HALLIDAY MODEL~~ HA-3 Mobile Noise Suppression Kit and in other current handbooks on the same subject.

SECTION IV

FUNCTION OF OPERATING CONTROLS

All controls utilized during normal operation of Hallicrafters Model SR-500 Transceiver are located on the front panel (see figure 1).

4-1. RIT CONTROL - ON/OFF.

The Receiver Incremental Tuning (RIT) control consists of two controls with concentric

shafts. The ON/OFF function of the lever control either puts the variable-element RIT control in or out of operation. This control, in the ON position, enables the operator to fine-tune the receiver plus or minus three KC by means of the RIT potentiometer (round knob) without disturbing the initial calibration or transmitting frequency. Returning the control to the OFF position again

locks the receiver frequency to the transmitter frequency. RIT must be turned OFF to calibrate the dial or to operate the transmitter and receiver on a common frequency.

4.2. RF GAIN - AF GAIN.

The RF GAIN and AF GAIN controls are two controls mounted on concentric shafts. The RF GAIN control (lever control) varies the gain of the receiver RF amplifier stage. Maximum sensitivity is obtained with the control set fully clockwise.

The AF GAIN control (round knob) adjusts the audio output level at the speaker terminals and PHONES jack. Clockwise rotation increases the signal applied to the grid of the audio amplifier, thus increasing the audio level.

The OPERATION control is a five position switch. In the OFF position, all power is disconnected from the circuitry. In the REC ONLY position, the receiver portion of the transceiver is placed in operation and all circuits common to both receiver and transmitter are in the receive condition, while circuits used only in the transmit mode are either biased off or switched off by the control relay. In the CW-TUNE position, the control relay switches the circuitry to transmit condition, and if the unit is properly tuned it will deliver a CW signal, the level of which is controlled by the CARRIER control. Inserting an open circuit key into the KEY jack will interrupt the signal and the unit may then be keyed (CW operation). In the SSB operation, the circuitry is switched to receive conditions until the microphone PTT switch is closed. The control relay then switches the circuits to the transmit mode with the carrier balanced out for SSB operation. In the CAL position, the unit operates in the receive mode, but with the 100-KC marker crystal oscillator running to supply calibration signals at the 100-KC points on the dial.

4.4. MIC CONNECTOR.

The MIC connector provides for the connection of a push-to-talk microphone for use in SSB transmission.

4.5. DIAL CALIBRATION ADJUSTMENT (DIAL CAL).

The DIAL CAL control varies the frequency of the variable frequency oscillator (VFO) over a small range so that the dial calibration may be set precisely when compared to a standard.

4.6. TUNING.

The setting of the tuning control determines the frequency to which you are listening or transmitting. (Refer to RIT control effect, paragraph 4-1.) This control is connected to the tuning dial which presents a visual indication of the frequency in the left-hand window on the panel.

4.7. BAND SELECTOR.

The BAND SELECTOR control is a three-position switch used to select the desired band of operation. The bands of operation are referenced to the wavelength in meters, that is, 80M, 40M and 20M.

4.8. PHONES JACK.

This receptacle provides for the use of headphones. When the headphones are inserted, headphones may be used.

4.9. DRIVER TUNE.

The DRIVER TUNE control resonates the associated RF amplifier and mixer stages in both the transmit and receive modes of operation. When operating in the receive mode, the control requires occasional "touch-up" to obtain maximum receiver sensitivity as the unit is tuned across the band. For transceiver operation, the control is always tuned for maximum transmitter output and left at this setting during the receive portion of the contact.

4.10. CARRIER - MIC GAIN.

The CARRIER and MIC GAIN controls are separate potentiometers operating through concentric shafts.

The CARRIER control (lever control) sets the RF output level for CW operation and during the transmitter tuning process for CW or SSB operation. The control is functional only in the CW-TUNE position of the OPERATION switch. Turning the control clockwise increases the RF output level.

The MIC GAIN control (round knob) sets the audio level to the balanced modulator stage from the microphone amplifier stages. The control has sufficient range to handle any high impedance, high or low level microphone designed for voice communications.

4.11. FINAL TUNE.

The FINAL TUNE control drives a variable capacitor that tunes the pi-network used to couple

the PA stage to the antenna load. The control is calibrated in band segments to permit presetting the capacitor near resonance during the tuning procedure.

4-12. S-METER.

This meter functions as an indicator of relative signal strength in the receive mode and as a relative power output indicator in the transmit mode. It is switched automatically when the mode of operation is changed.

4-13. 117VAC/MOBILE SWITCH.

Although this switch is not considered a front panel control its use must not be overlooked by the operator when the Model SR-500 transceiver is installed alternately in a fixed station and mobile installation. It is accessible through the underside of the cabinet and must be set at 117 VAC for AC operation and at MOBILE for DC operation.

SECTION V TUNING PROCEDURE

5-1. GENERAL.

The tuning procedure of the Model SR-500 Transceiver is not complicated; however, care should be exercised when tuning to insure peak performance of the equipment. The following paragraphs describe the procedures for receiver and transmitter tuning.

IMPORTANT

Before operating the SR-500, the bias

must be set. See paragraph 8-6 of alignment procedure.

5-2. RECEIVER OPERATION.

Preset the controls as indicated:

- RIT. OFF.
- RF GAIN. Maximum (clockwise).
- AF GAIN. As required.
- DIAL CAL Center or leave in calibrated position.
- BAND SELECTOR Desired band.
- FINAL TUNE Nonoperating.
- CARRIER. Nonoperating. (Full CCW).
- MIC GAIN Nonoperating. (Full CCW).
- OPERATION REC ONLY position.
- TUNING CONTROL. Desired frequency.
- DRIVER TUNE. Adjust for maximum S-meter reading on signal or maximum background noise.

As the receiver is tuned across the band an occasional readjustment of the DRIVER TUNE control will be found necessary. Maximum AVC effect will be obtained with the RF GAIN control set at maximum sensitivity. The use of the RF GAIN control under special operating conditions is left to the discretion of the operator.

5-3. DIAL CALIBRATION.

The following procedure is applicable if the crystal calibrator has been made operational and calibrated per paragraph 8-6.

Preset the controls as outlined in paragraph 5-2, except set the OPERATION control at CAL.

To calibrate the dial, set the dial to the 100-KC point nearest to the desired frequency. Rotate the DIAL CAL control for zero beat.

It may be necessary to increase the AF GAIN control setting to recover sufficient audio near zero beat. The RIT control must be in the OFF position when calibrating the dial.

After calibrating the dial, return the OPERATION control to either REC ONLY or SSB to receive on the desired frequency. Repeat the DRIVER TUNE control as required.

5-4. BASIC TRANSMITTER TUNE-UP.

- Preset the following controls as indicated:
- CARRIER. Initial setting at minimum (Full CCW).
 - MIC GAIN. Initial setting at minimum (Full CCW).
 - BAND SELECTOR. Desired band.

FINAL TUNE . . . Desired band segment.
RIT CONTROL . . OFF
TUNING
CONTROL Desired frequency.

amplifier or the maximum saturated output when operating into an antenna load.

Return the CARRIER control to minimum output and set the OPERATION control at SSB.

Depress the microphone push-to-talk

tained for receive mode.

voice level, and advance the MIC GAIN control (round knob) until the S-meter swings upward to approximately one-half the reading noted at maximum output during tuning with carrier.

OPERATION REC ONLY.

Set the OPERATION control at CW-TUNE and close the key circuit if a keyer is plugged into the key jack. Rotate CARRIER control (lever control) clockwise until a small indication is observed on the S-meter. In the transmit mode, the S-meter indicates relative RF output voltage. Adjust the FINAL TUNE control for maximum output, and then adjust the DRIVER TUNE control for maximum output voltage. Adjust the CARRIER control as required to keep the S-meter reading near S-9 while tuning.

The MIC GAIN control setting will be found to be less critical because of the compression action of the AALC circuitry; however, the knob setting still depends upon the type of microphone, the operator's voice characteristics, and his operating habits.

Sufficient microphone gain has been built into the SR-500 to handle the usual range of levels associated with communication type microphones.

Always use the DRIVER TUNE setting obtained during transmitter tuning when receiving on the frequency. The setting obtained while tuning the receiver is generally too broad to satisfy the transmitter requirement.

return the transceiver to the receive condition.

NOTE

If a keyer circuit is left plugged into the key jack, it must be closed to permit SSB operation.

5-5. CW OPERATION.

Tune the transmitter as outlined in paragraph 5-4. When a keyer is plugged into the key jack, its key circuit must be closed to permit tuning for either CW operation or SSB operation. If the SR-500 is used to drive a linear amplifier, adjust the CARRIER control (lever control) for the drive level required by the linear amplifier. When operating into an antenna load, advance the CARRIER control to just below saturated drive level.

5.7. VOICE CONTROLLED SSB OPERATION.

The Model SR-500 Transceiver operates SSB with push-to-talk control; however, the VOX Control Unit Model HA-16 is available for voice controlled single side band operation. When this accessory unit is installed, the following operating procedure will apply.

Saturated drive level is determined in the following manner. Start from the full counterclockwise CARRIER control setting and slowly increase the output (clockwise) while observing the S-meter. Set the control at a point where further rotation does not cause an appreciable increase in the S-meter reading. This is saturated output (operate slightly below this level).

Initially set the PTT-VOX selector switch of the VOX control unit at PTT, and set the three controls (SENS, DELAY and ANTI-TRIP) at their full counterclockwise positions. Reduce the AF GAIN on the transceiver to a relatively low level.

Use the tuning procedure outlined in paragraphs 5-4, 5-5, and 5-6 to ready the transceiver for SSB operation.

The transmitter is now ready to key. To receive, return the OPERATION control to the REC ONLY position.

With the OPERATION control on the transceiver set at SSB set the selector switch on the VOX control unit at VOX and set the VOX accessory unit controls as follows:

5-6. PUSH-TO-TALK OPERATION.

Tune the transmitter as outlined in paragraphs 5-4 and 5-5. Note the S-meter reading obtained for maximum drive level to the linear

1. Advance the SENS control (clockwise), while talking into the microphone, until the VOX relay closes on the first syllable of speech. (Use no more VOX gain than necessary for best results.)

2. Adjust the DELAY control for the desired drop-out delay. The delay period increases as the DELAY control is turned clockwise. The delay period should be long enough to prevent change-over between words but not long enough to miss the other operator's quick reply.
3. Set the receiver AF GAIN control for the desired listening level and advance the ANTI-TRIP sensitivity control (clockwise) until the received signals do not actuate the VOX relay. Excessive anti-trip gain or a major increase

in the established listening level may lock out the voice control system.

With the VOX accessory unit adjusted, either method of control may be selected by simply setting the selector switch for either PTT or VOX.

NOTE

Some microphones equipped for push-to-talk control have shorting contacts in the switch to disable the microphone element when the pushbutton is released. VOX operation will not be feasible unless this circuitry is disconnected within the microphone.

SECTION VI THEORY OF OPERATION

6-1. GENERAL.

The Model SR-500 Transceiver consists of a single conversion receiver and a single conversion transmitter. The VFO circuitry, the heterodyne crystal oscillator (40M band) circuitry, the carrier/BFO crystal oscillator circuitry, the AVC/AALC amplifier-detector circuitry, the meter circuitry and the crystal filter/IF amplifier circuitry all are common to both the transmitter and receiver systems. Refer to figure 9 for the block diagram of the equipment and to figure 20 for the schematic diagram.

6-2. RECEIVER SECTION.

The signal at the antenna is fed to the receiver's RF amplifier stage (V1) through the

to the receiver mixer (V2) where it is heterodyned with the VFO (variable frequency oscillator) on the 80M and 20M bands, or with the product of the VFO and the heterodyne crystal oscillator on the 40M band to produce the 5200 KC intermediate frequency.

The RF amplifier and mixer tuned circuits are selected by the BAND SELECTOR switch and tuned by the DRIVER TUNE control.

The signal, now at intermediate frequency, is fed through the crystal filter and further amplified by two stages of IF amplification (V3 and

detector (V5) and to the AVC amplifier/detector (V10). At the product detector the signal is mixed with the 5200 KC BFO signal to produce the audio frequency product desired. The audio frequency

signal passes through the AF GAIN control for level control, and is amplified to speaker power level by audio amplifier tubes V5B and V6.

The intermediate frequency signal fed to the AVC amplifier/detector stage (V10) is amplified further and rectified to produce the AVC voltage fed back to the grids of the RF amplifier stage (V1) and the first IF amplifier stage (V3) to control overall system gain for variations in signal level at the antenna.

A sample of the AVC voltage is fed to the grid of the meter amplifier (V4) to display received signal levels on the S-meter.

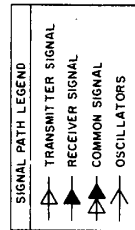
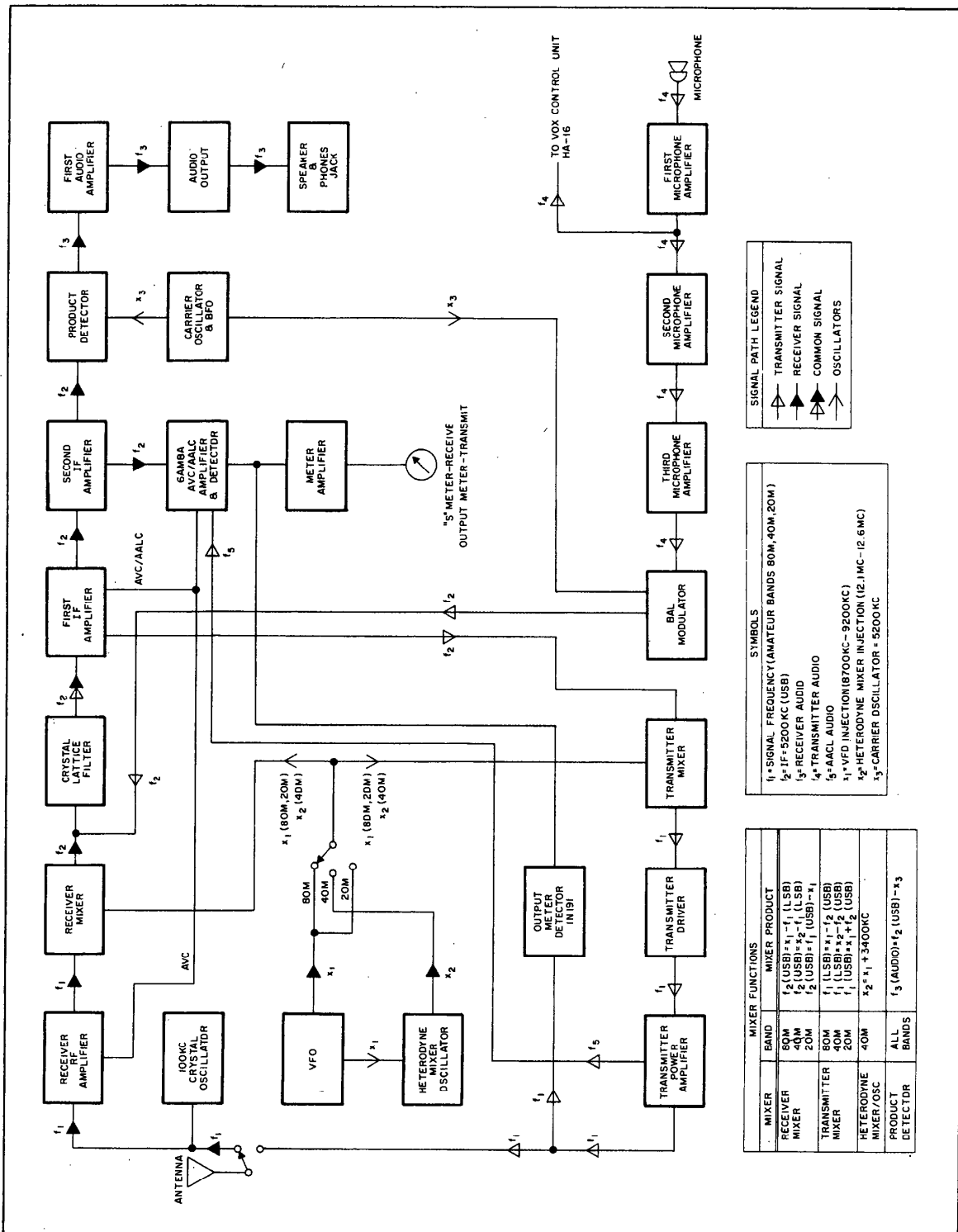
6-3. TRANSMITTER SECTION.

The audio frequency signal from the micro-

control. The amplified audio signal is fed through a cathode follower stage (V8B) to the balanced modulator.

At the balanced modulator the carrier oscillator (V8A) signal is modulated by the audio signal to produce a double sideband suppressed carrier signal centered on 5200 KC. The output of the modulator is fed to the crystal filter where the lower sideband is attenuated and the upper sideband is passed on to the first IF amplifier stage for further amplification.

From the IF amplifier stage the signal is heterodyned with the VFO signal on the 80M and 20M bands or with the product of the VFO and the heterodyne crystal oscillator on the 40M band to produce the desired transmitter frequency.



SYMBOLS

- f₁ = SIGNAL FREQUENCY (AMATEUR BANDS 80M, 40M, 20M)
- f₂ = IF = 5200KC (USB)
- f₃ = RECEIVER AUDIO
- f₄ = TRANSMITTER AUDIO
- f₅ = AALC AUDIO
- x₁ = VFO INJECTION (8700KC - 9200KC)
- x₂ = HETERODYNE MIXER INJECTION (12.1MC - 12.6MC)
- x₃ = CARRIER OSCILLATOR = 5200KC

MIXER	BAND	MIXER PRODUCT
RECEIVER MIXER	80M	f ₂ (USB) = x ₁ - f ₁ (LSB)
	40M	f ₂ (USB) = x ₂ - f ₁ (LSB)
	20M	f ₂ (USB) = f ₁ (USB) - x ₁
TRANSMITTER MIXER	80M	f ₁ (LSB) = x ₁ - f ₂ (USB)
	40M	f ₁ (LSB) = x ₂ - f ₂ (USB)
	20M	f ₁ (USB) = x ₁ + f ₂ (USB)
HETERODYNE MIXER/OSC	40M	x ₂ = x ₁ + 3400KC
PRODUCT DETECTOR	ALL BANDS	f ₃ (AUDIO) = f ₂ (USB) - x ₃

Figure 9. Block Diagram of Transceiver.

156-00289

The signal, at output frequency, from the transmitter mixer is then amplified by the transmitter driver stage (V14) and the power amplifier stage (V15 and V16) and fed to the antenna through the antenna relay.

The RF output voltage is metered by the S-meter for "tune-up" and monitoring purposes by dividing down the RF voltage level, rectifying it and feeding the DC voltage to the grid of the S-meter amplifier tube (V4B).

The tuned circuits of the transmitter mixer and driver stages are selected by the BAND SELECTOR switch and tuned by the DRIVER TUNE control. The power amplifier output tuned

circuit is selected by the BAND SELECTOR switch and tuned by the FINAL TUNE control.

The Automatic Audio Level Control (AALC) circuitry operates in the following manner. When a small amount of "flat-topping" occurs in the final amplifier, a ripple voltage at audio frequency develops on the amplifier grid bias line in proportion to the amount of "flat-topping." This audio signal, which is not present without final amplifier "flat-topping," is coupled to the AVC/AALC amplifier tube V10 whose output is a rectified DC voltage. The resulting DC voltage, which is in direct proportion to the degree of "flat-topping" occurring in the final amplifier, is fed to the first IF amplifier grid as gain control bias.

SECTION VII

SERVICE DATA

7.1. CHASSIS REMOVAL.

To remove the chassis from the cabinet, remove the four cabinet screws at the bottom near the cabinet feet, and carefully slide the chassis and panel assembly out from the front of the cabinet.

7.2. TUBE AND DIAL LIGHT REPLACEMENT.

Access to the dial light and all tubes may be obtained by removing the chassis from the cabinet. See paragraph 7-1.

7.3. TROUBLESHOOTING.

In the design of this transceiver, full consideration was given to keep maintenance problems at an absolute minimum. As in all well-designed electronic equipment, maintenance and repair problems are generally confined to the checking and replacement of tubes and semiconductor devices which may become defective. Malfunctions of this nature are usually easily isolated and corrected. However, it is entirely possible that a more obscure malfunction may arise. In this event, only thoroughly trained technical personnel should attempt to service equipment of this complexity.

A recommended aid to troubleshooting the Model SR-500 Transceiver is a general-coverage receiver which can be used to provide a quick check on the various oscillator circuits within the SR-500. A lead connected to the antenna of this

receiver, when placed in the proximity of the oscillator tube in the circuit to be checked, can determine the presence or absence of signal from the stage in question.

If a malfunction occurs when operating on one particular band and/or mode of operation, the unit should be checked on all other bands and in all other modes of operation to isolate the difficulty. A careful study of the block diagram (figure 9) will give a quick clue as to which tubes should be checked. The voltage and resistance charts (figures 10 and 11) and schematic diagram (figure 20) will also aid in isolating and correcting a malfunction.

7.4. SERVICE AND OPERATING QUESTIONS.

For further information regarding operation or servicing of the Model SR-500 Transceiver, contact the dealer from whom the unit was purchased. The Hallicrafters Company maintains an extensive system of Authorized Service Centers where any required service will be performed promptly and efficiently at no charge if this equipment is delivered to the service center within 90 days from date of purchase by the original buyer and the defect falls within the terms of the warranty. It is necessary to present the bill of sale in order to establish warranty status. After the expiration of the warranty, repairs will be made for a nominal charge. All Hallicrafters Authorized Service Centers display the sign shown on the following page. For the location of the one nearest you, consult your dealer or your local telephone directory.

Make no service shipments to the factory unless instructed to do so by letter, as The Hallicrafters Company will not accept responsibility for unauthorized shipments.

The Hallicrafters Company reserves the privilege of making revisions in current production of equipment, and assumes no obligation to incorporate such revisions in earlier models.



SECTION VIII

ALIGNMENT PROCEDURE

WARNING

LETHAL HIGH VOLTAGE IS PRESENT WITHIN THIS EQUIPMENT. BE CAREFUL WHEN INSTALLING THE UNIT, WHEN MAKING BIAS ADJUSTMENT, AND WHEN PERFORMING CHECKS UNDER THE CHASSIS.

8-1. GENERAL.

The Model SR-500 Transceiver has been accurately aligned and calibrated at the factory and, with normal usage, will not require realignment for extended periods of time. Service

~~no circumstances should realignment be attempted~~

definitely traced to mis-alignment. Alignment should only be performed by persons experienced in this work, using the proper test equipment.

NOTE

Do not make any adjustments unless the operation of this transceiver is fully understood and adequate test equipment is available. Refer to figures 12 and 13, the top and bottom views of the transceiver, for the locations of all adjustments.

8-2. EQUIPMENT REQUIRED.

1. RF Signal Generator; Hewlett-Packard Model 606A or an equivalent signal generator having up to 1 volt output at an impedance of 70 ohms or less. Throughout the alignment procedure, unless otherwise specified, the signal generator output is unmodulated.

2. A Vacuum Tube Voltmeter (VTVM); Hewlett-Packard Model 410B, or equivalent VTVM having an RF probe good to 30 MC.
3. A dummy Load; 50 ohms non-reactive, rated at 300 to 500 watts. Bird Wattmeter or equivalent. The load may be made up of carbon resistors totaling at least 300 watts dissipation.
4. A DC Voltmeter having a 5-volt or 10-volt scale for final plate current measurements when using the Model PS-500-AC Power Supply or a 0-500 MA DC milliammeter when using the

6. Ballantine voltmeter or equivalent, capable of measuring 1 to 4 millivolt level.
7. A general-coverage receiver covering the frequency range from 3 MC to 30 MC with a 100-KC calibrator.

8-3. BIAS ADJUSTMENT.

The final amplifier bias, must be properly set before any extensive checks are made on the transmitter portion of the Model SR-500.

1. When using the AC power supply (PS-500-AC), proceed as follows:
 - a. Before turning the transceiver on, connect a DC voltmeter to the two jacks on the power supply (see figure 15), positive to red and negative to blue. Set the voltmeter on a low scale (2.5 volts or 3.0 volts). There is a 10-ohm resistor across the tip

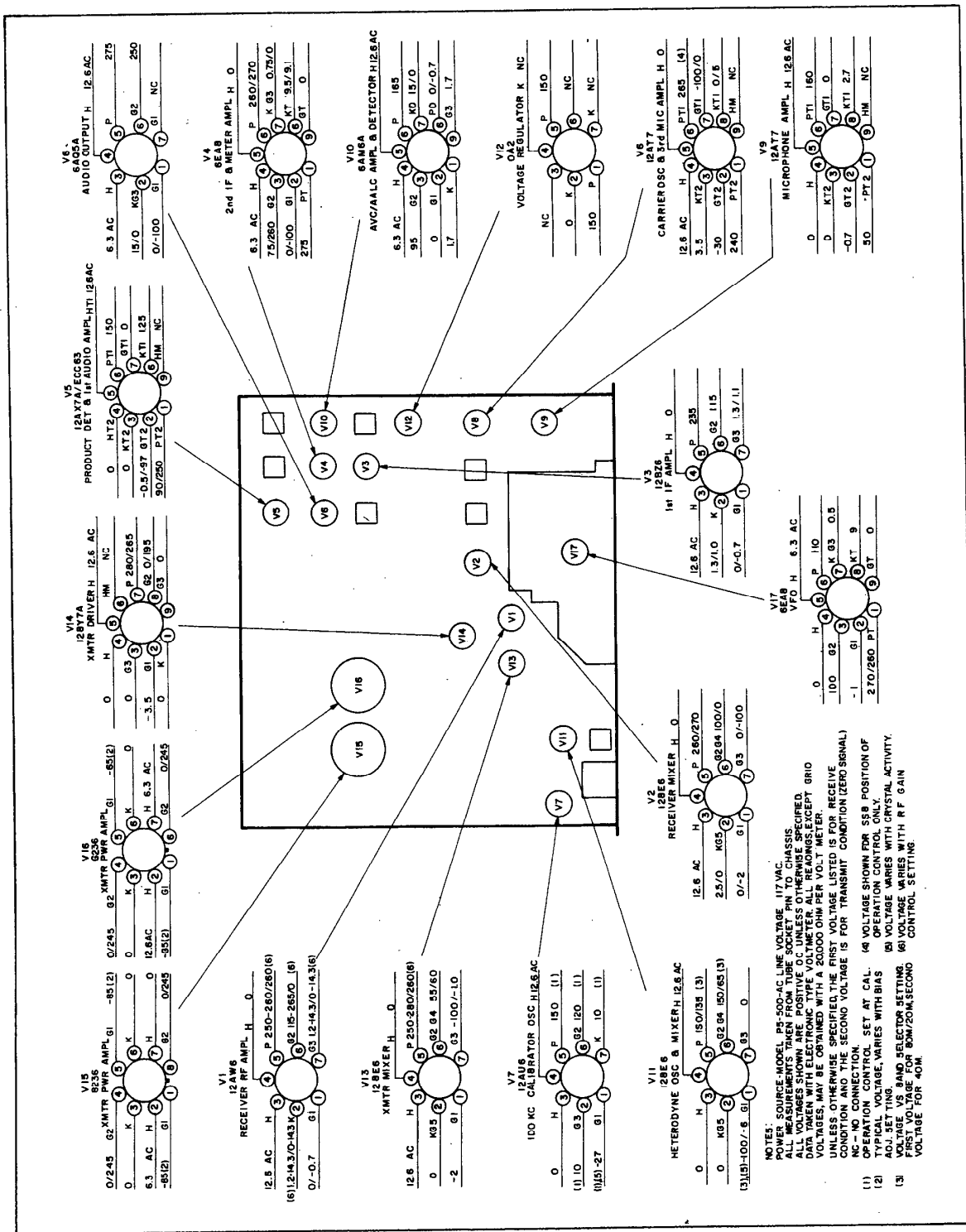


Figure 10. Voltage Chart.

156-005774

jacks so that the meter will indicate 1 volt for 100 milliamperes, 2 volts for 200 milliamperes, etc. Set 117 VAC/MOBILE switch at 117 VAC.

- b. Set the OPERATION switch at REC ONLY and allow approximately ten minutes for the unit to warm up. Then set the OPERATION switch at SSB, the MIC GAIN full CCW, and press the microphone switch to close the relays.
- c. Adjust the bias for 100 milliamperes idle plate current with the BIAS ADJ. control (R206) on the power supply (1.0 volt on the volt-meter scale).

2. When using the DC power supply (PS-500-DC), proceed as follows:
 - a. Disconnect the high voltage lead (red/white) from the power supply terminal strip (terminal 1).
 - b. Connect a DC milliammeter (0-500 MA) between the lead and the high voltage terminal on the power supply.
 - c. Set 117 VAC/MOBILE switch at MOBILE.
 - d. Follow the procedure outlined in the preceding paragraph (step b) and set the BIAS ADJ. control R309 on the power supply for 100 milliamperes.

8-4. S-METER ZERO ADJUSTMENT.

Periodically the meter should be zero set to maintain accuracy. To accomplish this proceed as follows:

1. Set the OPERATION control at REC ONLY and the RF GAIN control fully counterclockwise. Allow about 15 minutes for the equipment to stabilize.
2. Turn the METER ZERO ADJ. control (R76) until the meter pointer is directly over the end calibration mark at the left end of the meter scale. The control is located on the rear chassis apron.

8-5. CARRIER BALANCE.

Adjust the carrier balance as follows:

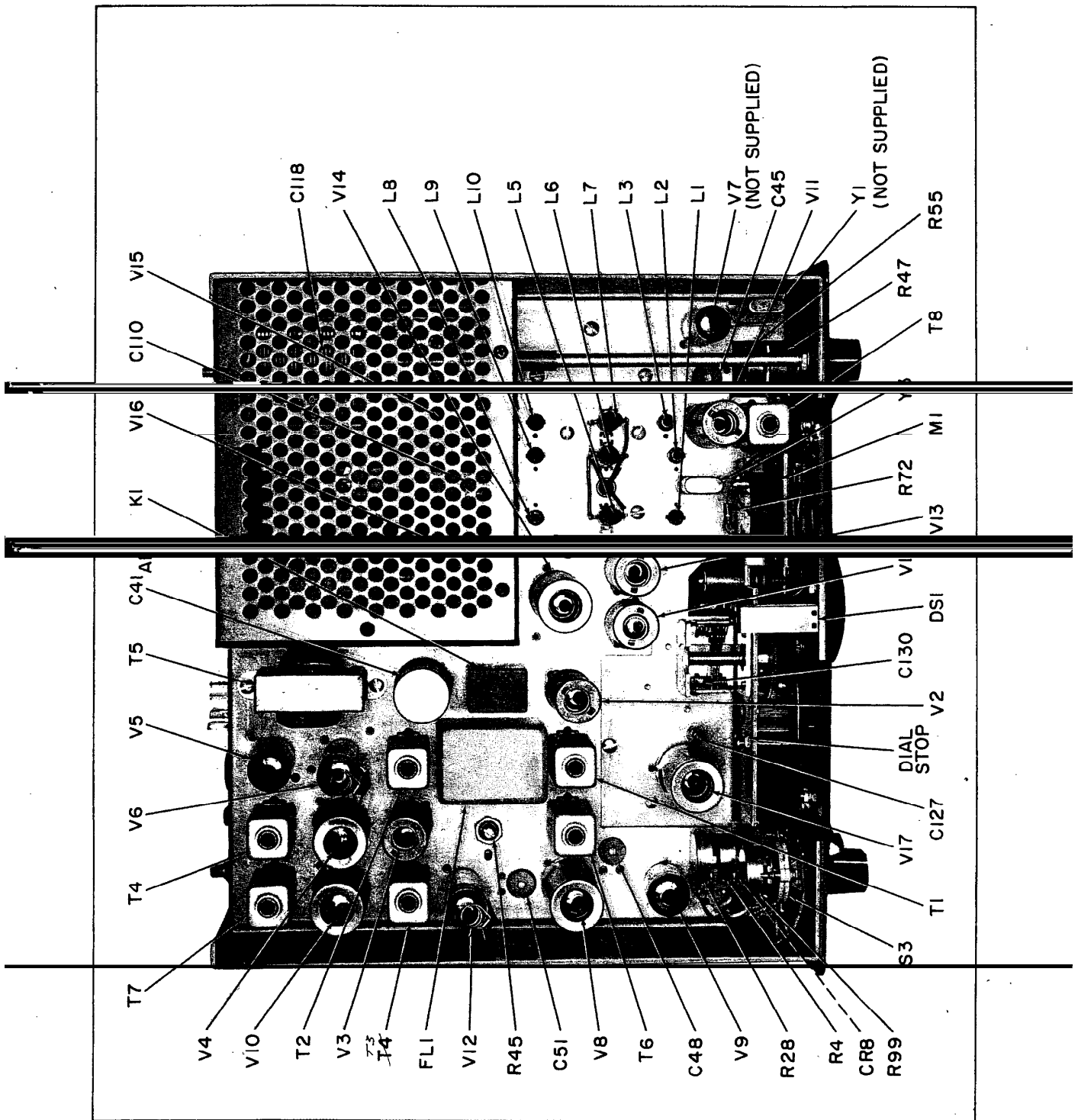
1. The equipment should be allowed to reach operating temperature before making the carrier balance adjustments. Remove the chassis unit from the cabinet as described in paragraph 7-1. With the chassis resting on the table, right side up, and connected to a dummy load or antenna load, tune the unit for SSB operation.
2. Turn the MIC GAIN control fully counterclockwise to remove all audio from the modulator stage. With the OPERATION control set at SSB, close the microphone switch and adjust the CARRIER BAL controls (capacitor C51 and potentiometer R45) for minimum S-meter reading. With an antenna or dummy load connected to the Model SR-500 the meter will drop to zero near the null. Release the microphone switch.
3. Disconnect the antenna load and again close the microphone switch and repeat the balance adjustment. The meter will still drop to zero but will be more sensitive with the load removed. Take care not to feed excessive carrier through the system with the load removed.

8-6. CRYSTAL CALIBRATOR ADJUSTMENTS.

If a 100-KC crystal unit and the 12AU6 tube (V7) have been installed in the Model SR-500, the following adjustments apply:

The crystal calibrator trimmer (C45) is used to set the 100-KC crystal exactly to frequency by comparing its harmonic frequency with the signal transmitted by station WWV.

With a general coverage receiver, tune in station WWV and connect a lead between the Model SR-500 REC ONLY antenna connector and the antenna connector of the external receiver. Set the OPERATION control at CAL and carefully adjust the calibrator trimmer (C45) until the 100-KC oscillator harmonic is at zero beat with station WWV. This adjustment should be made only during periods of NO modulation on station WWV's signal.



156-002830B

Figure 12. Top Chassis View of Transceiver.

8-7. FINAL AMPLIFIER NEUTRALIZATION.

1. Neutralization Check

Connect a voltmeter to the AC supply or a milliammeter to the DC supply to meter the final amplifier plate current as described in paragraph 8-3. With the Model SR-500 in its cabinet (all hardware in place) and connected to a dummy load, tune the unit at 14,150 KC in the CW mode as described in paragraph 5-4. Adjust the CARRIER control for 60 to 70 volts RMS output (approximately S-9 on the S-meter if an RF voltmeter is not available). Carefully tune the FINAL TUNE control through resonance and observe the plate current dip and output voltage maximum. If both occur at the same setting the amplifier is neutralized.

The neutralizing circuits may be checked on 80M and 40M by switching bands and tuning at the same VFO dial setting.

2. Neutralizing the Model SR-500

If the check outlined above indicates a need for neutralization, remove the unit from the cabinet. (Refer to paragraph 7-1.) Use the setup as for the neutralizing check and tune the unit at 14,050 KC. Adjust neutralizing capacitor C110 in 1/2 turn or 1/4 turn steps until neutralization is accomplished. Recheck at 14,150 KC with the unit mounted in the cabinet as described above.

CAUTION

HIGH VOLTAGE APPEARS ON THE ADJUSTMENT SCREW OF THE NEUTRALIZING CAPACITOR AT ALL SETTINGS OF THE OPERATION CONTROL EXCEPT OFF.

8-8. VFO MECHANICAL INDEX.

If the pointer position has been disturbed, check the pointer alignment as follows:

1. Loosen the dial stop lock nut and back-off the dial stop screw. (See figure 12.)
2. Carefully turn the dial beyond 3500 KC until the VFO tuning capacitor rotor contacts the stator plates. Exercise care in this operation as the gear train provides enough mechanical advantage to lift the rotor plates out of their mounting.

3. The pointer should line up with the index mark on the dial located to the right of the 3500 KC dial calibration. Shift the pointer position or, if necessary, center the pointer in the window opening and loosen the capacitor drive gear from the capacitor shaft and relocate as required. Retighten the set screws.
4. Turn the dial clockwise beyond the dial stop and reset and relock the dial stop screw. Check for clearance between the dial and the screw end. It should be approximately equal to one-half the dial stop spacer thickness.

8-9. VFO CALIBRATION ALIGNMENT (Trimmer adjustment only).

A trimmer capacity correction is indicated if the dial calibration check across the dial, at the 100-KC check points, consistently falls to one side of the pointer and cannot be corrected by the DIAL CAL control range.

Recalibrate the VFO as follows if the 100-KC marker crystal has been set up as outlined in paragraph 8-6.

1. Set the BAND SELECTOR at 80M, the OPERATION control at CAL and the RIT control at OFF.
2. Center the DIAL CAL control. The dot on the knob should fall at top dead center.
3. Set the dial at exactly 4000 KC and carefully adjust trimmer C127 for zero beat. Care should be exercised to make sure that the correct 100-KC beat is tuned in with the trimmer.
4. Check across the dial at the 100-KC check points. If the frequency error is less than approximately 3000 CPS, the calibration is within acceptable limits. If the error increases and exceeds 3000 CPS at the low frequency end of the dial, the VFO will require a coil adjustment in addition to the trimmer adjustment.

NOTE

If the Model SR-500 calibrator circuitry is not set up for the calibration check, the VFO signal may be picked up with a general coverage receiver tuned to the 8700 KC to 9200 KC VFO tuning range. The receiver used must be equipped with an accurate crystal calibrator.

8-10. VFO CALIBRATION ALIGNMENT (Trimmer and coil adjustment).

If the check carried out in paragraph 8-9 (step 4) indicates a need for both trimmer and coil adjustment, proceed as follows:

1. Check the pointer alignment at the index mark on the VFO dial as described in paragraph 8-8. Be sure to reset the dial stop.

2. Set the BAND SELECTOR at 60M, the OPERATION control at CAL, and the RIT control at OFF.

3. Center the DIAL CAL control. The dot on the knob should fall at top dead center.

4. Set the dial at 4000 KC and adjust trimmer C127 for zero beat.

5. Set the dial at 3500 KC and adjust coil L18 for zero beat.

6. Repeat steps 4 and 5 until both the 4000-KC and 3500-KC settings are exactly on frequency.

7. Check the calibration across the dial at the 100-KC points. If the frequency error is less than 3000 CPS, the cali-

bration is within acceptable limits. If the error is in excess of 3000 CPS at any of the mid-points, with the end limits at zero error, the VFO capacitor C130 should be "knifed." This operation should not be attempted by other than qualified personnel, thoroughly familiar with the technique.

NOTE

If the Model SR-500 calibrator circuitry is not set up for the calibration check, the VFO signal may be picked up with a general coverage receiver tuned to the 8700-KC to 9200-KC VFO tuning range. The receiver used must be equipped with an accurate crystal calibrator.

8-11. HETERODYNE MIXER/OSCILLATOR BAND-PASS TRANSFORMER ALIGNMENT.

Before changing the core settings in transformer T8, check the injection voltage between the junction of capacitors C80 and C81 and ground. (Test point A.) The VFO calibration must be within acceptable limits before adjusting this transformer. The following procedure should be used to check and adjust the transformer.

1. Set the OPERATION control at REC ONLY and the BAND SELECTOR at 40M.

2. Connect the VTVM probe to the test point A and ground clip to the chassis.

3. Tune the VFO from 6900 KC to 7400 KC and note the variation in injection voltage. A correctly adjusted transformer will produce equal voltages at 6900 KC and 7400 KC and equal

The injection level at this test point will run 1.5 volts RMS to 1.8 volts RMS. Switching to 80M will produce approximately 2.0 volts RMS from the VFO directly at the test point.

4. To adjust the transformer for equal injection voltages at 6900 KC and 7400 KC, set the VFO dial to the frequency of lowest injection voltage and turn both cores into or out of their respective coils as required to raise the lower voltage to a new level half way between the two voltages noted. Repeat the process until both dial frequencies produce equal injection voltages.

5. To adjust the transformer for equal peak response voltages within the passband, set the dial to the frequency

of lowest peak response voltage and adjust the cores in equal steps to produce a new peak voltage approximately midway between the original voltage levels noted. If one core is turned into its coil, turn the other core an equal distance out of its coil.

6. The adjustments in steps 4 and 5 interact upon each other and require that the steps be repeated. Keep in mind that the passband is shifted in frequency by turning both cores into or out of their coils in approximately equal amounts and that the response peaks are equalized by turning one core into its coil and the other out of its coil in approximately equal amounts.

Do not misadjust the cores so that they rest in between the two windings.

8-12. BFO/CARRIER OSCILLATOR TRANSFORMER ALIGNMENT.

With the unit operating in the REC ONLY position of the OPERATION control, connect the probe of the VTVM to test point B, ground clip to chassis. If the voltage measured is approximately 1.0 volt RMS no adjustment is required.

If adjustment is required, set the core of transformer T6 for approximately 90 percent of the peak voltage obtained on the high frequency side of the peak setting of the core, that is, turn the core counterclockwise from the peak output voltage setting.

8-13. BFO/CARRIER OSCILLATOR FREQUENCY ADJUSTMENT.

Transformer T6 should be in proper alignment before setting the carrier oscillator to frequency. The oscillator frequency may be adjusted with warping trimmer C48 to exactly 5200 KC. The carrier oscillator signal may be checked with a 100-KC calibrator known to be correlated with station WWV. Obtain zero beat between the carrier oscillator signal and the 100-KC calibrator in the receiver. Do not use the BFO in the general coverage receiver.

8-14. ALIGNMENT OF TRANSMITTER MIXER AND DRIVER STAGES.

The final amplifier bias adjustment must be properly set as in paragraph 8-3 before extensive operation of the transmitter is attempted. It is assumed that the 5200-KC signal generating stages of the Model SR-500 are functioning properly. Using the internally generated signal of the transmitter, the mixer and driver stages are aligned as follows:

1. Connect a 50-ohm dummy load to the COMMON ANTENNA jack, J5. Set the OPERATION control at CW-TUNE with the CARRIER control set for minimum output.
2. Set the BAND SELECTOR at 80M, the VFO dial at 3500 KC, and the DRIVER TUNE control at approximately 30° clockwise from its CCW stop.
3. Advance the CARRIER control and adjust the FINAL TUNE control for resonance in the 80M panel segment. Maintain an output signal level of 70 volts RMS across the 50-ohm load or approximately S-9 on the output meter as the alignment progresses.
4. Adjust cores of coils L5 and L8 for maximum output meter reading.
5. Set the VFO dial at 4000 KC and adjust the DRIVER TUNE and FINAL TUNE controls for maximum output. Note the position of the DRIVER TUNE control. If its settings at 3500 KC and 4000 KC fall an equal distance from the limits

of knob rotation the alignment is complete for this band. If not, change the 3500 KC driver tune position slightly, repeak cores L5 and L8 and again recheck the 4000 KC setting. Repeat the procedure until the tuning range centers within the rotational limits of the control.

The 80M coils are common to the 40M and 20M band circuitry, therefore, they must be in alignment before these last two bands can be aligned. Repeat the above procedure for each band referring to the tuning chart for

TRANSMITTER TUNING CHART

Band	Final Tune Segment	Adjust Coils At	Adjust Coils Far Maximum Output	Check Driver Tune Setting At
80M	80M	3500 KC	L5 L8	4000 KC
40M	40M	6900 KC	L6 L9	7400 KC
20M	20M	13900 KC	L7 L10	14400 KC

A neutralization check (paragraph 8-7) is recommended following alignment of the mixer and driver stages. If a major neutralization adjustment is required, recheck the alignment.

8-15. ALIGNMENT OF RECEIVER ANTENNA STAGE.

The transmitter mixer and driver stages must be in alignment before the receiver antenna stage can be adjusted. The 80M band coil is common to the 40M and 20M band circuitry, therefore the 80M band must be aligned first. The alignment procedure for the antenna stage coils is as follows:

1. Connect the 50-ohm dummy load to the COMMON ANTENNA jack (J5), the RF Signal Generator to the REC ONLY ANTENNA jack (J6), and set the antenna switch at SEPARATE (up). If an AC voltmeter is connected across the speaker circuit, maximum audio output can be monitored visually.
2. Set the OPERATION control at REC ONLY, RF GAIN at maximum, AF GAIN as required.
3. Set the OPERATION control at CW-TUNE and tune the transmitter at 3500 KC (80M band). Adjust the DRIVER TUNE control carefully as outlined in paragraph 5-4.

4. Set the OPERATION switch at REC ONLY and adjust RF signal generator for approximately 1000 CPS audio beat note. Use just enough signal generator output to keep from developing AVC voltage at test point C. (Approximately 1 microvolt for an aligned unit.) Adjust coil L1 for maximum audio output without developing AVC voltage.
5. Repeat the alignment procedure outlined in steps 3 and 4 for the 40M and 20M bands. On 40M, tune the transmitter at 6900 KC and adjust coil L2. On 20M, tune the transmitter on 13900 KC and adjust coil L3.

8-16. ALIGNMENT OF FIRST IF AMPLIFIER STAGE.

To adjust the core of coil T3 in plate circuit of the first IF amplifier tube, tune the transmitter at approximately 3800 KC into the dummy load, following the procedure outlined in paragraph 5-4. With the CARRIER control adjusted for a carrier output level of 70 volts RMS (S-9 on the output meter) or less, adjust the core of coil T3 for maximum RF output. Back off the CARRIER control setting if the output level exceeds 70 volts RMS during adjustment.

8-17. ALIGNMENT OF SECOND IF AMPLIFIER AND AVC AMPLIFIER STAGES.

Coil T4 in the plate circuit of the second IF amplifier tube and coil T7 in the plate circuit of the AVC/AALC amplifier tube are adjusted in the receive mode as follows:

1. Connect the RF signal generator to the REC ONLY ANTENNA jack (J6). Connect an AC voltmeter across the speaker circuit.
2. Set the OPERATION switch at REC ONLY, RF GAIN control at maximum, AF GAIN control as required and tune the RF signal generator and receiver to 3800 KC for approximately a 1000-CPS audio beat note.
3. Use just enough signal generator output to keep from developing AVC voltage at test point C, and adjust the core of coil T4 for maximum audio output.
4. Increase the RF signal generator output until AVC voltage equal to approximately minus one volt appears at test point C and adjust the core of coil T7 for maximum AVC voltage.

8-18. CRYSTAL FILTER ALIGNMENT.

The filter alignment consists of adjusting the impedance matching transformers, T1 and T2 associated with the hermetically sealed crystal filter unit FL1.

1. The filter response should be checked as follows before any termination adjustments are attempted.
 - a. Tune the transmitter for SSB operation on 3800-KC into a dummy antenna load.
 - b. Connect the AF signal generator to the MIC connector and monitor the input voltage with the Ballantine voltmeter. Set the AF signal generator at 1000 CPS and adjust the generator level for 50 volts RMS RF output with the MIC GAIN control set near maximum gain.
 - c. Maintain constant AF signal generator input voltage and change the frequency of the generator above and below 1000 CPS, recording the frequency at which the transmitter RF output voltage drops to 35 volts RMS (-3 DB). Also note the maximum and minimum RF voltage excursions between these two frequencies. A normal 3-DB frequency response will run 400 to 600 CPS at the low end, 2700 to 3500 CPS at the high end, and less than 2-DB variation (10 volts RMS change) in the passband.
2. If the check made in step 1 indicates a need for filter termination adjustment, proceed as follows:
 - a. Disconnect the crystal filter unit (FL1) input and output wires at the filter terminals. Connect a 270,000-ohm resistor between the wires lifted from the filter terminals.
 - b. Tune the transmitter for CW operation on 3800 KC into a dummy antenna load.
 - c. Set the CARRIER control for approximately 10 volts RMS RF output at the dummy load, and adjust the cores of transformer T1 and coil T2 for maximum RF output.

- d. Remove the resistor and reconnect the filter. Check the filter response as outlined in step 1. If

core setting of coil T2, recheck the alignment of the first IF amplifier stage coil T3. (See paragraph 8-16.)

8-19. FINAL (8236) TUBE MATCHING.

If either or both 8236 tubes are replaced, tube matching will be required. This may require access to a number of tubes in order to select those with the desired characteristics. Matched pairs of tubes are available through Hallicrafters' Service Department for customer convenience.

The procedure for tube matching is as follows:

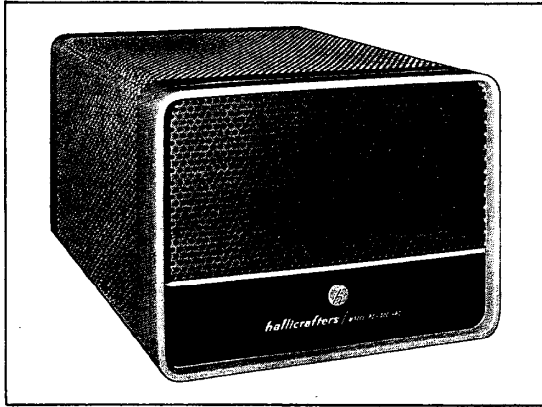
CAUTION

It will be necessary to come into contact with circuits which normally have high voltage applied to them. Use extreme care while performing the following operations. Use a well insulated screw driver or other suitable tool to short the 8236 plate caps to the chassis before making body contact with them.

1. Set the OPERATION switch at OFF.
2. Remove the chassis unit from the cabinet as described in paragraph 7-1.
3. Remove the top cover from the final amplifier cage.
4. Rest the unit on its back and disconnect the 10 ohm resistor (R-103) from pin 4 of tube V-16. Make certain that the resistor does not short to ground during the matching operation to follow.
5. Disconnect the plate cap from tube V16. Tube V16 now only serves as a heater circuit for the matching operation. If the theater of this tube is defective, substitute one with a good heater.
6. Install one of the tubes to be matched in the socket for tube V15 (socket nearest outside edge of chassis) and connect plate cap. The unused plate cap for tube V16 must not touch nearby components.
7. Reconnect the power supply to the transceiver and connect the voltmeter or milliammeter to the power supply JUSTMENT, paragraph 8-3.
8. Set the OPERATION switch at REC. ONLY and allow approximately two minutes warmup.
9. Set the CARRIER control fully CCW.
10. Set the OPERATION switch at CW-TUNE.
11. Adjust the BIAS ADJ control for a 0.5-volt (50 MA) reading on the voltmeter.
12. Return the OPERATION switch to OFF.
13. Short the 8236 plate cap to the chassis and remove the tube from its socket.
14. Insert a new 8236 tube into the same socket and connect the plate cap.
15. Place the OPERATION switch in REC. ONLY and allow approximately two minutes for warmup.
16. Place the OPERATION switch at CW-TUNE and observe the voltmeter reading. (Do not change the bias setting.) If this tube causes the voltmeter to read between 0.4 volt (40 MA) and 0.6 volt (60 MA), it can be considered as being matched to the original tube. If the difference in reading exceeds 0.1 volt (10 MA), other tubes must be checked until the difference reading of the pair to be matched is less than 0.1 volt (10 MA).
17. Install the matched pair of tubes, reconnect resistor R103 and set the bias as described in BIAS ADJUSTMENT, paragraph 8-3.
18. The final amplifier may require neutralization after the new tubes are installed. Refer to paragraph 8-7 for the neutralization check and adjustment procedure.

SECTION IX

AC POWER SUPPLY MODEL PS-500-AC



156-005859

Figure 14. Hallicrafters Model PS-500-AC Power Supply.

9-1. DESCRIPTION.

Hallicrafters' Model PS-500-AC Power Supply is a complete, self-contained power unit

Transceiver to be operated from a nominal 117-volt AC source. This power supply, through a 12-pin power plug and cable at the rear, will furnish all the supply voltages necessary for optimum performance of the SR-500.

Hallicrafters' Model PS-500-AC operates from a 105-volt to 125-volt, 50/60 cycle, AC source. The power supply also contains a 3.2-ohm permanent-magnet type speaker which connects to the SR-500 through the 12-pin power plug and cable.

WARNING

LETHAL HIGH VOLTAGE IS PRESENT WITHIN THIS EQUIPMENT. BE CAREFUL WHEN INSTALLING THE UNIT, WHEN MAKING BIAS ADJUSTMENTS, AND WHEN PERFORMING CHECKS UNDER THE CHASSIS.

9-2. BIAS ADJUSTMENT.

After connecting the power supply to the SR-500 and to the proper power source, the transmitter bias must be adjusted to achieve optimum performance of the transceiver.

1. Connect a voltmeter (2.5 or 3.0 VDC range) to the tip jacks at the top rear of the power supply chassis. (Connect the positive lead from the meter to the red jack.)

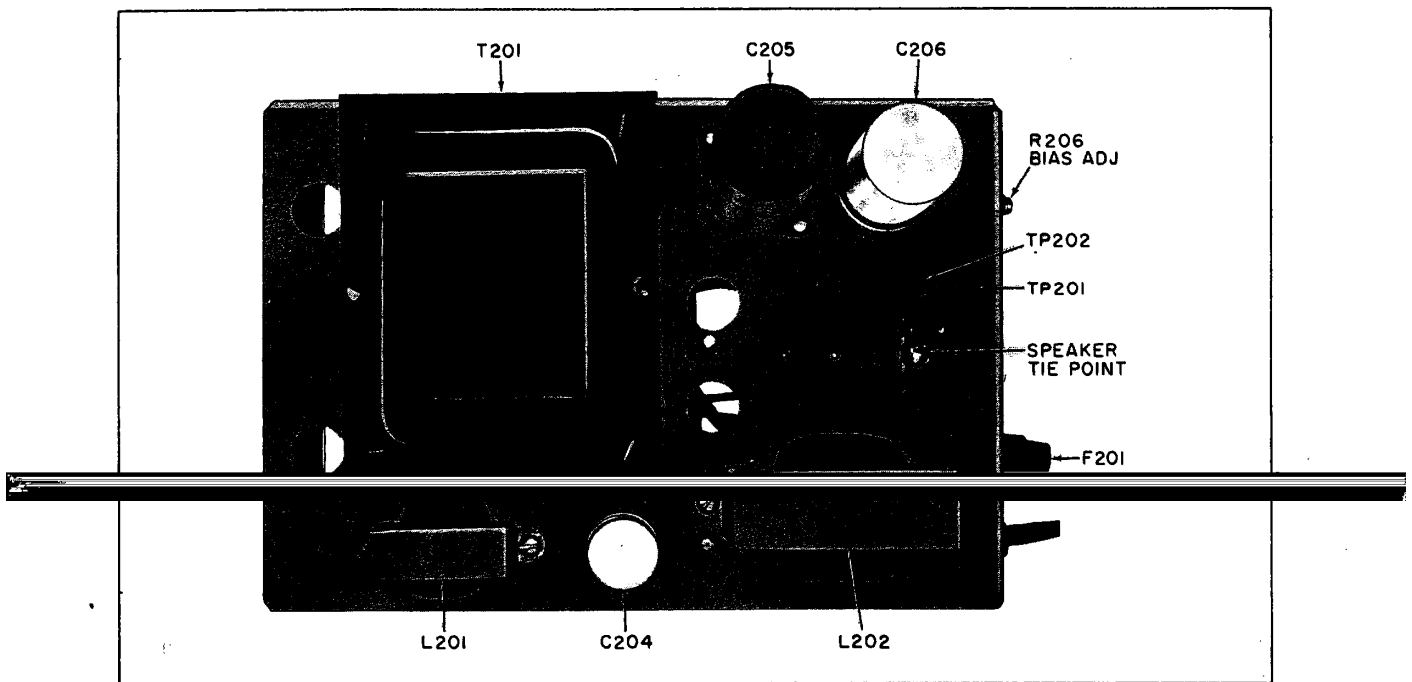
2. Turn the Model SR-500 on: OPERATION switch to SSB.
3. With no signal applied to the transmitter and the microphone button depressed, adjust the BIAS ADJ potentiometer, R206 on the rear of the power supply chassis, for 1.0 volt on the meter. (100 MA)
4. Disconnect the meter after turning the equipment off.

This adjustment is not necessary each time the SR-500 is used; however, it should be checked periodically and whenever the transmitter final amplifier tubes are replaced.

9-3. CHASSIS REMOVAL.

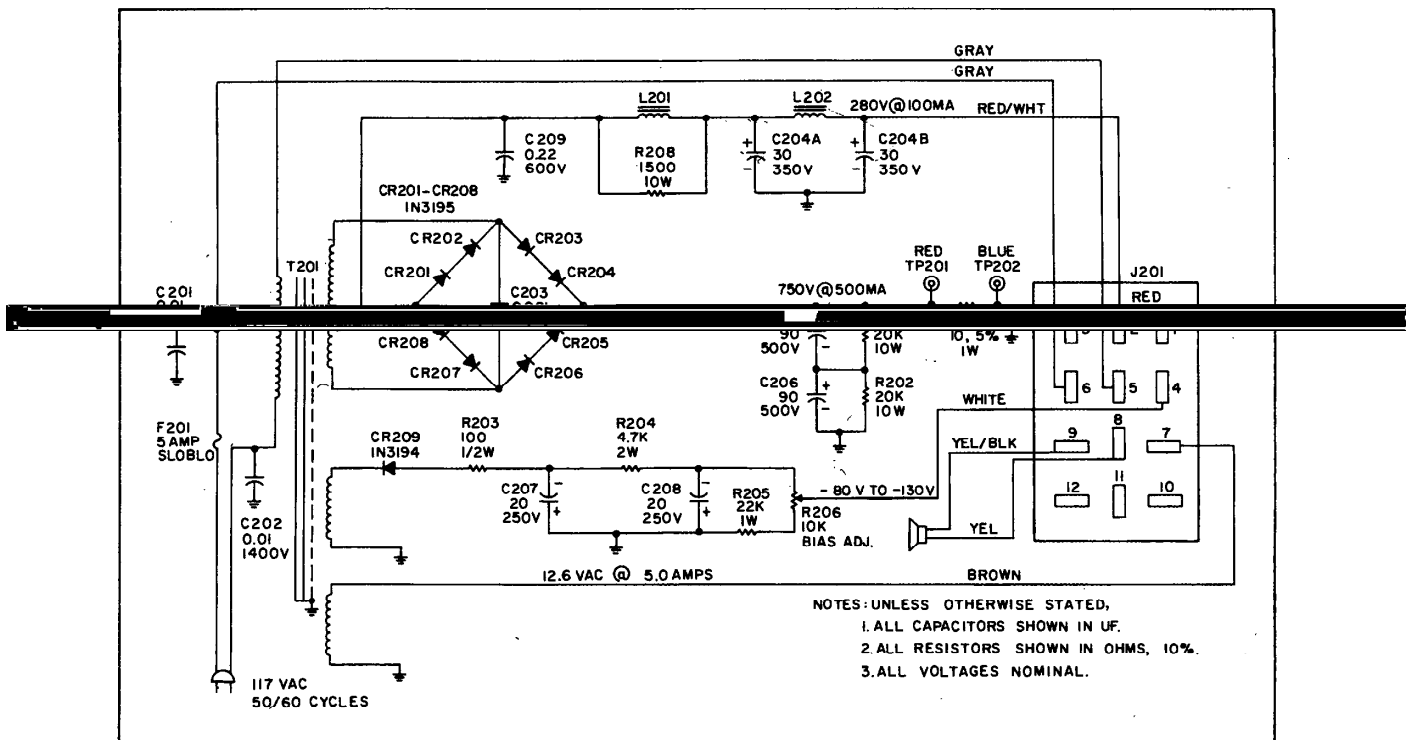
To remove the PS-500-AC chassis from its cabinet, remove the six hex-head screws on the bottom (four are in the feet and two are at the center front and rear) and disconnect the speaker leads on the top rear of the chassis. The chassis

REPAIR PARTS LIST		
Schematic Symbol	Description	Hallicrafters Part Number
C201,202	Capacitor, 0.01 μ F, 1400 V, Ceramic Disc	047-200752
C203	Capacitor, 0.001 μ F, 3000 V, Ceramic Disc	047-100387
C204A&B	Capacitor, 2 x 30 μ F, 350 V, Electrolytic	045-000902
C205	Capacitor, 90 μ F, 500 V, Electrolytic	045-001337
C206	Capacitor, 90 μ F, 500V, Electrolytic	045-001338
C207,208	Capacitor, 20 μ F, 250 V, Electrolytic	045-000903
C209	Capacitor, 0.22 μ F, 600 V, Paper	046-001434-464
CR201 thru CR208	Diode, 1N8105	019-002770
CR209	Diode, 1N8194	019-002769
F201	Fuse, 5 Amperes, 125 Volts, 3 AG, (Slow Blow)	039-000791
J201	Connector, Power (12-pin)	010-002613
L201	Choke, Filter	056-100595
L202	Choke, Filter	056-000585
R201,202	Resistor, 22K Ohms, 10%, 10 Watts Wire Wound	445-032203
R203	Resistor, 100 Ohms, 10%, 1/2 Watt, Carbon	451-252101
R204	Resistor, 4700 Ohms, 10%, 2 Watts, Carbon	451-652472
R205	Resistor, 22K Ohms, 10%, 1 Watt, Carbon	451-352223
R206	Resistor, Variable, 10K Ohms, 20%, 3/4 Watt, Bias Adj.	025-002330
R207	Resistor, 10 Ohms, 5%, 1 Watt, Carbon	451-351100
R208	Resistor 1500 Ohms, 10%, 10 Watts, Wire Wound	445-032152
T201	Transformer, Power	050-002181
TP201	Tip Jack, Red	036-080304
TP202	Tip Jack, Blue	036-000307
	Baffle Board	078-001711
	Baffle, Felt	014-000476
	Cabinet	056-003437
	Cable (9-Conductor)	087-008370
	Cable Assembly	087-008369
	Cable Clamp	076-202744
	Foot, Rubber (4)	016-201072
	Front Panel	068-001677
	Fuse Holder	006-200837
	Line Cord	087-104960
	Lock, Line Cord	076-100953
	Rear Panel	068-001878
	Speaker, 4 x 6 inch PM, 3.2 Ohms	085-000218



156-005779

Figure 15. Top Chassis View of Model PS-500-AC Power Supply.

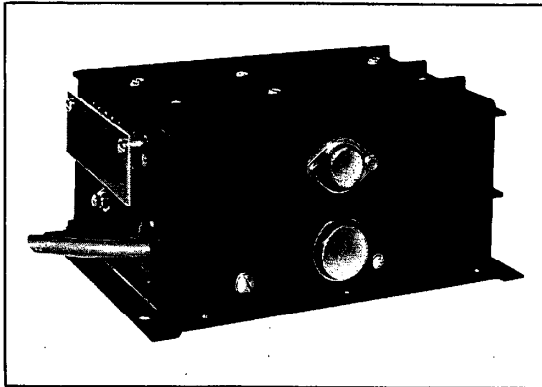


156-000345

Figure 16. Schematic Diagram of Model PS-500-AC Power Supply.

SECTION X

DC POWER SUPPLY MODEL PS-500-DC



156-005786

Figure 17. Hallicrafters Model PS-500-DC Power Supply.

10-1. DESCRIPTION.

Hallicrafters' Model PS-500-DC Power Supply is a complete, compact, self-contained power unit designed to permit Hallicrafters' Model SR-500 Transceiver to be operated from a 12-volt DC source. This power supply is shipped for operation in conjunction with a negative-grounded power source.

The Model PS-500-DC Power Supply, is designed to operate from an 11.6 volt to 15.6 volt DC source with 12.6 volts as nominal voltage.

All connections are made to the power supply through a two wire cable and terminal strip on one side of the unit (see figures 6 and 18). The two conductor cable is used for connection to the 12-volt source through the wires supplied. The seven-conductor strip (TS301) is used to supply the operating voltages to the transceiver and connects to the transceiver through the cable supplied with the Mobile Installation Kit Model MR-160 available as an accessory.

WARNING

LETHAL HIGH VOLTAGE IS PRESENT WITHIN THIS EQUIPMENT. BE CAREFUL WHEN INSTALLING THE UNIT, WHEN MAKING BIAS ADJUSTMENTS, AND WHEN PERFORMING CHECKS UNDER THE CHASSIS.

10.2 BIAS ADJUSTMENT.

After interconnecting the power supply to its proper power source and to the transceiver, the transmitter bias must be adjusted to achieve optimum performance of the transceiver.

1. Disconnect the high voltage (red/white) lead from terminal 1 of TS301.
2. Connect an ammeter, with a full-scale deflection of 0-500 MA, between the high voltage lead and terminal 1 of TS301.
3. Turn the transceiver on: OPERATION switch to SSB.
4. With no signal applied to the transceiver and the microphone button depressed, adjust the BIAS ADJ potentiometer, R309 on the side of the power supply chassis, for a reading of 100 MA on the meter.
5. Disconnect the meter and reconnect lead to terminal 1 of TS301.

This adjustment is not necessary each time the SR-500 is used; however, it should be checked periodically and whenever the transmitter final amplifier tubes are replaced.

10-3. COVER REMOVAL.

Remove the ten screws holding the base plate of the unit and lift the plate. This will provide visual inspection for all the components in the power supply. The end extrusions and component board may be further exposed by removing

REPAIR PARTS LIST		
Schematic Symbol	Description	Hallicrafters Part Number
C301	Capacitor, 2000 UF, 15V, Electrolytic.	120-002142
C302	Capacitor, 50 UF, 150V, Electrolytic	120-002143
C303, 304	Capacitor, 40 UF, 450V, Electrolytic	120-002144
C305	Capacitor, 20 UF, 450V, Electrolytic	120-002145
CB301	Circuit Breaker	120-002146
CR301, 302	Diode (600V @ 0.5A)	120-002147
CR303	Bridge, Rectifier Assembly (600V @ 1A.)	120-002148
CR304	Bridge, Rectifier Assembly (1200V @ 1A.)	120-002149
R302, 304	Resistor, 150 Ohms, 10%, 1/2 Watt, Carbon	451-252151
R305, 306, 314, 315	Resistor, 0.47 Ohm, 10%, 2 Watts, Wire Wound	453-032000-47
R307	Resistor, 5.6 Ohms, 10%, 2 Watts, Wire Wound	453-032056
R308	Resistor, 0.5 Ohms, 10%, 5 Watts, Wire Wound	120-002158
R309	Resistor, Variable, 10K Ohms, Bias Adj.	120-002150
R310	Resistor, 22K Ohms, 10%, 1/2 Watt, Carbon	451-252223
R311, 312, 313	Resistor, 100K Ohms, 10%, 2 Watts, Carbon	451-652104
K301	Relay, Primary Switch	120-002151
T302	Transformer, Power	120-002154
Q301, 302	Transistor, Type 2N555	120-002155
Q303, 304	Transistor, Type MHT 1810	120-002156
TS301	Terminal Strip	120-002157

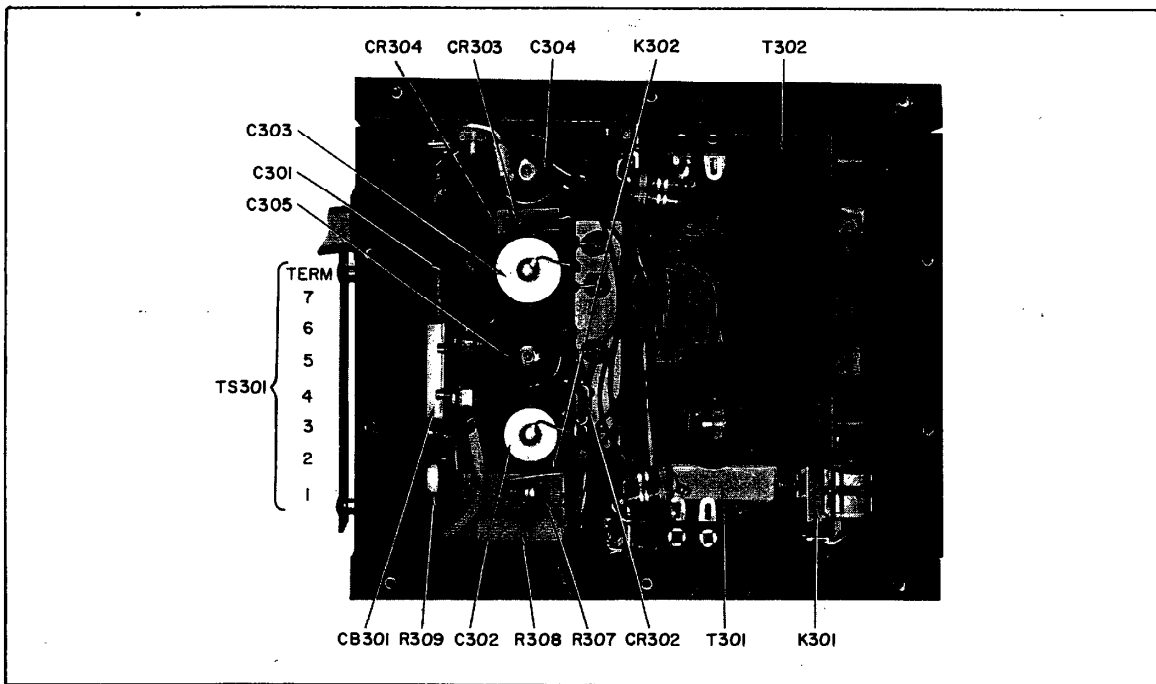


Figure 18. Internal View of Model PS-500-DC Power Supply.

156-005823

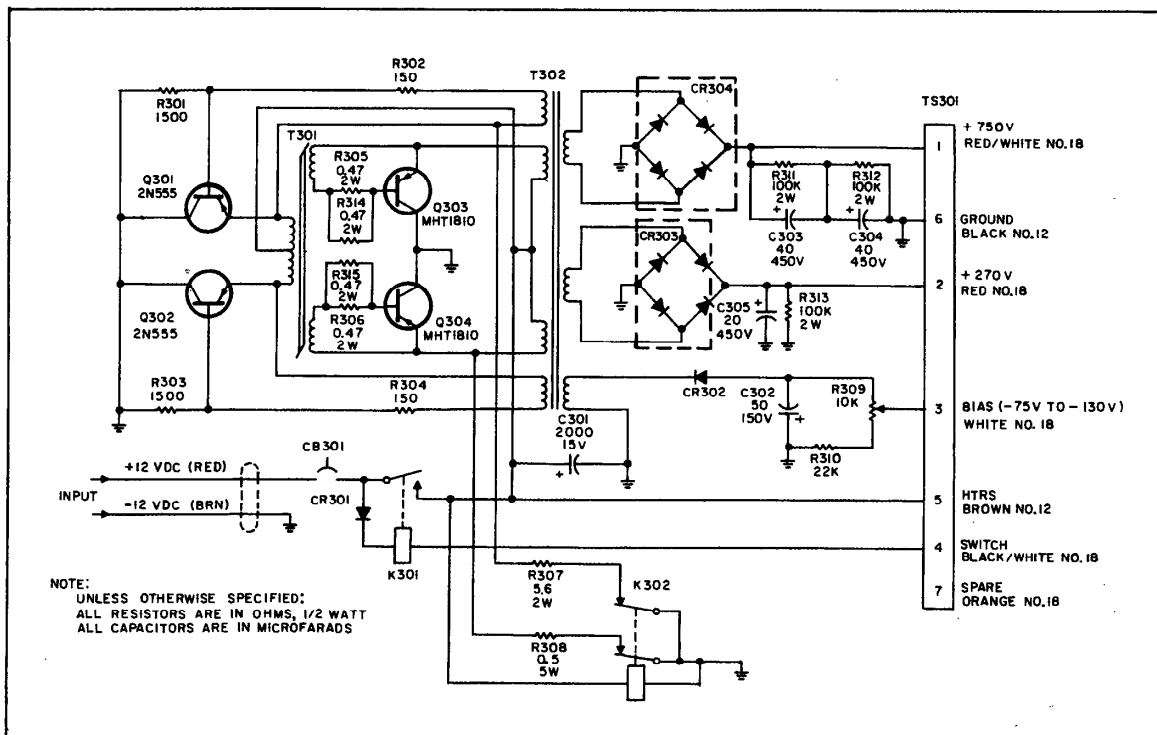


Figure 19. Schematic Diagram of Model PS-500-DC Power Supply.

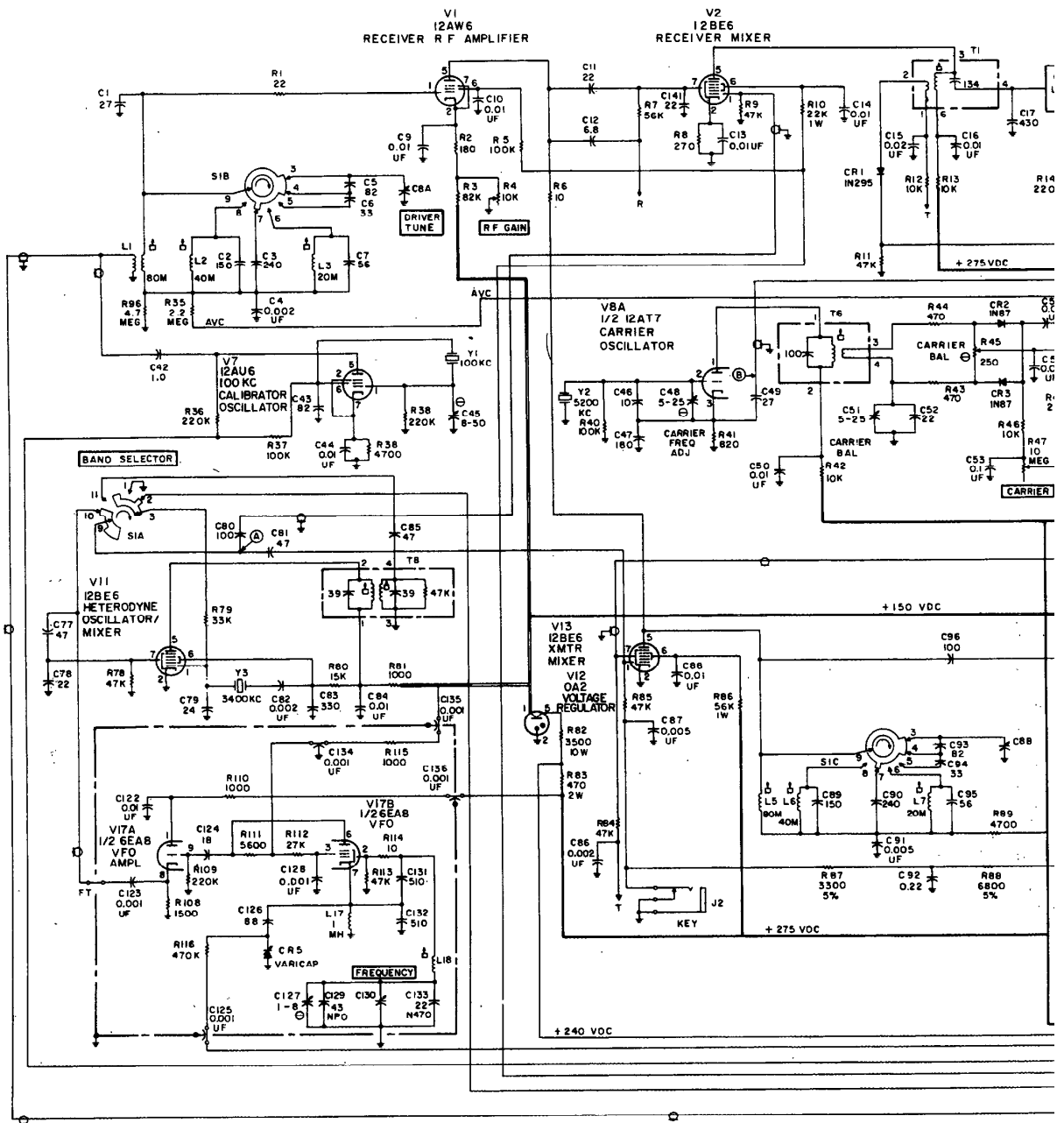
156-005860

SERVICE REPAIR PARTS LIST MODEL SR-500

Schematic Symbol	Description	Hallcrafters Part Number	Schematic Symbol	Description	Hallcrafters Part Number	Schematic Symbol	Description	
CAPACITORS			CAPACITORS (CONT)			RESISTORS (CONT)		
C1,49	27 PF, 2%, 500V, Plastic Mica	493-110270-331	C126	66 PF, 2%, 300V, Plastic Mica	493-110680-323	R112	27K ohm	
C2,69,101	150 PF, 2%, 500V, Plastic Mica	493-110151-334	C127	Variable, 1 to 8 PF, Trimmer	044-000593	R117	30 ohm, 5 watt, Wire-Wound	
C3,90,102	240 PF, 2%, 500V, Plastic Mica	493-110241-334	C129	43 PF, 2%, 500V, NPO, Ceramic Tubular	491-024430-022	*All Resistors are Carbon Type, 10% unless otherwise stated.		
C4,21,32,35,38,62,64,62,68	0.002 μF, 20%, 500V, Ceramic Disc	047-100395	C130	Variable, FREQUENCY	048-000542	COILS AND TRANSFORMI		
C5,43,93,105,86	62 PF, 2%, 500V, Plastic Mica	493-110820-333	C131,132	510 PF, 2%, 300V, Plastic Mica	493-110511-324	L1	Coil, 60-Meter Antenna	
C6,94,106	33 PF, 2%, 500V, Plastic Mica	493-110330-333	C133	22 PF, 2%, 500V, N470, Ceramic Tubular	491-004220-083	L2,9	Coil, 40-Meter Antenna and Driver	
C7,95,103	56 PF, 2%, 500V, Plastic Mica	493-110560-333	C134	0.001 μF, GMV, Stand-off	047-001634	L3,10	Coil, 20-Meter Antenna and Driver	
C8A,B,C	Variable, DRIVER TUNE	048-000543	C137	10 μF, 150V, Electrolytic	045-100307	L4,11,16,17,19	RF Choke, 1 MH	
C9,10,13,14,16,23,25,28,28,44,50,60,67,71,72,73,84,86,96,99,106,122,140	0.01 μF, 20%, 500V, Ceramic Disc	047-100354	*RESISTORS				L5	Coil, 60-Meter Mixer
C11,22,62,78,141	22 PF, 2%, 500V, Plastic Mica	493-110220-331	R1	22 ohm	451-252220	L6	Coil, 40-Meter Mixer	
C12	8.8 PF, 5%, 500V, Plastic Mica	493-140680-231	R2	180 ohm	451-252161	L7	Coil, 20-Meter Mixer	
C13,20,34,38,57,68,76,111	0.02 μF, 20%, 500V, Ceramic Disc	047-100471	R3,75	82K ohm	451-252823	L8	Coil, 60-Meter Driver	
C17	430 PF, 2%, 500V, Plastic Mica	493-110431-334	R4 and R28	Variable, 10K ohm, 20%, 1/2 watt, RF GAIN; 500K ohm, 30%, 1/8 watt, AF GAIN	025-002311	L12,13	Parasitic Choke Assembl	
C18,75	0.1 μF, +80%, -20%, 100V, Ceramic Disc	047-001426	R5,15,28,37,40,52,68,90,105,108	100K ohm	451-252104	L14	RF Choke	
C19,40,55,66,70,112,113,115,123,128	0.001 μF, 20%, 500V, Ceramic Disc	047-001671	R6,103,114	10 ohm	451-252100	L15	Coil, PI Output	
C24,31,33,56,81	470 PF, 5%, 500V, Plastic Mica	493-110471-234	R7	56K ohm	451-252563	L18	Coil, VFO	
C27,46	10 PF, 5%, 500V, Plastic Mica	493-110100-231	R8,81	270 ohm	451-252271	T1	Transformer, Mixer Plat	
C29	4.7 PF, 10%, 500V, Plastic Mica	493-140470-131	R9,11,18,20,49,68,59,60,76,84,85,97,113	47K ohm	451-252473	T2	Transformer, Filter Termination	
C30	220 PF, 5%, 500V, Plastic Mica	493-110221-234	R10	22K ohm, 1 watt	451-352223	T3,4,7	Transformer, 5200 KC IF	
C37,54,59,67,91,97,114,136	0.005 μF, 20%, 500V, Ceramic Disc	047-100442	R12,13,42,46	10K ohm	451-252103	T5	Transformer, Audio Output	
C39	10 μF, 50V, Electrolytic	045-000755	R14	2200 ohm	451-252222	T6	Transformer, Carrier Oscillator Plate	
C41A,B,C	2 X 30 μF, 300V; 300 μF, 25V; Electrolytic	045-001115	R16	100 ohm	451-252101	T8	Transformer, Heterodyne Mixer Plate	
C42	1PF, 10%, Composition	047-200403-002	R17,80	15K ohm	451-252153	ELECTRON TUBES, DIODES		
C45	Variable, 8 to 50 PF Trimmer	044-200437	R18,38,50,54,60	4700 ohm	451-252472	V1	Tube, Type 12AW6	
C47	180 PF, 2%, 500V, Plastic Mica	493-110181-334	R22,62	160K ohm	451-252184	V2,11,13	Tube, Type 12BE8	
C48,51	Variable, 5 to 25 PF, Trimmer	044-100473	R23,71,77	3300 ohm	451-252332	V3	Tube, Type 12BZ8	
C53	0.1 μF, 10%, 200V, Paper	046-001294-004	R24,25,81,110,115	1000 ohm	451-252102	V4,17	Tube, Type 6EA8	
C58,74,82	0.22 μF, 10%, 200V, Paper	046-001296-004	R27	120K ohm	451-252124	V5	Tube, Type 12AX7A/ECC83	
C63,80,96,109	100 PF, 5%, 500V, Plastic Mica	493-110101-234	R28,96	4.7 Megohm	451-252475	V6	Tube, Type 6AQ5A	
C65	150 PF, 5%, 1000V, Plastic Mica	493-110151-234	R30	1.5 Megohm	451-252155	V7	Tube, Type 12AU6	
C69	0.1 μF, 50V, Plastic Mica	047-001146	R31,38,39,58,65,109	220K ohm	451-252224	V8	(Not Supplied)	
C77,81,85	47 PF, 5%, 500V, Plastic Mica	493-210470-233	R32,51,67,68,70,116	470K ohm	451-252474	V6,9	Tube, Type 12AT7	
C79	24 PF, 2%, 500V, Plastic Mica	493-110240-331	R33	330K ohm	451-252334	V10	Tube, Type 6AM6A	
C83	330 PF, 5%, 500V, Plastic Mica	493-110331-234	R34	47 ohm, 1 watt	451-352470	V12	Tube, Type OA2	
C100,107	750 PF, 2%, 500V, Plastic Mica	493-310751-334	R35,57,69	2.2 Megohm	451-252225	V14	Tube, Type 12BY7A	
C104	220 PF, 2%, 500V, Plastic Mica	493-110221-334	R41	820 ohm	451-252821	V15,16	Tube, Type 8236	
C110	Variable, 0.8 to 13 PF, Neutralizing Trimmer	044-000520	R43,44	470 ohm	451-252471	CR1	Diode, Type 1N295	
C118,117	0.001 μF, 3000V, Ceramic Disc	047-100397	R45	Variable, 250 ohm, 20%, 1/4 watt, Carrier Bal.	025-002227	CR2,3	Diode, Type 1N87	
C116	Variable, FINAL TUNE	048-000541	R47 and R55	Variable, 10 Megohm, -20%, +40%, 1/8 watt, CARRIER, 500K ohm, 30%, 1/8 watt, MIC GAIN	025-002229	CR4	Diode, Type 1N181	
C119	620 PF, 2%, 1000V, Plastic Mica	493-410821-344	R48,83,94	22K ohm	451-252223	CR5	Diode, Type V-100	
C120	250 PF, 2%, 1000V, Plastic Mica	493-410251-344	R53	6800 ohm	451-252262	CR6	Diode, Type 1N34A	
C121	300 PF, 2%, 1000V, Plastic Mica	493-410301-344	R54	390 ohm, 1 watt	451-352391	CR7	Diode, Type 1N3253	
C124	18 PF, 5%, 300V, Plastic Mica	493-110180-221	R72	680 ohm	451-252681	CR8	Diode, Zener, Type 1N963A	
C125,135,136,139	0.001 μF, GMV, Feed-Through	047-001308	R75	1600 ohm, 1 watt	451-352182	CR9	Diode, Zener	
			R74,93	4700 ohm, 1 watt	451-352472	Y1	Crystal, 100 KC (Not Supplied)	
			R76	Variable, 50K ohm, 20%, 1/4 watt, Meter Zero Adj.	025-002228	Y2	Crystal, 5200 KC	
			R79,95	33K ohm	451-252333	Y3	Crystal, 3400 KC	
			R82	3500 ohm, 5%, 10 watts, Wire Wound	024-001484	SWITCHES		
			R83	470 ohm, 2 watts	451-652471	S1	Rotary, BAND SELECTOR (Inc. A1A Only)	
			R86	56K ohm, 1 watt	451-352563	S1B & C	Wafer, Receiver RF Amplifier and Mixer	
			R87	3300 ohm, 5%	451-252861	S1D	Wafer, Transmitter Driver	
			R88	8800 ohm, 5%	451-251882	S1E	Wafer, Transmitter PI Output	
			R91	47K ohm, 1 watt	451-352473	S2	Rotary, OPERATION-POWER ON/OFF	
			R92	220K ohm, 5%	451-251224	S3	Rotary, RIT ON-OFF	
			R96	Variable, 25K ohm, 30%, 1/8 watt, DIAL CAL	025-002306	S4	Slide, SPST, Antenna Common-Separate	
			R99	Variable, 25K ohm, 30%, 1/8 watt, RIT CONTROL (Inc. S3)	025-002226	S5	Slide, DPST, 117 VAC/MOBILE	
			R100	2700 ohm	451-252272	CONNECTORS		
			R102	2200 ohm, 1 watt	451-352222	J1,2	Connector, PHONES and Key Jack	
			R107	2.7 ohm, 1 watt	451-352027	J3	Connector, Accessory, 6-Pin	
			R108	1500 ohm	451-252152	J4	Connector, MIC, W/hardware	
			R111	5800 ohm	451-252582	J5	Connector, ANTENNA, W/hardware	
						J6	Connector, Phono Pin-Plug, Antenna	

SERVICE REPAIR PARTS LIST MOEEL SR-500

Hallicrafters Part Number	Schematic Symbol	Description	Hallicrafters Part Number	Schematic Symbol	Description	Hallicrafters Part Number
RESISTORS (CONT)						
493-110880-323	R112	27K ohm	451-252273	J7	Connector, Power, 12-Pin Jones Type	010-002586
044-000593	R117	30 ohm, 5 watt, Wire-Wound	445-012300			
*All Resistors are Carbon Type, 10%, 1/2 watt unless otherwise stated.						
COILS AND TRANSFORMERS						
048-000542	L1	Coil, 60-Meter Antenna	050-000978		Bracket, Capacitor Mounting (C118)	067-010032
493-110511-324					Bracket, Dial Drive	067-011601
CONNECTORS (CONT)						
MISCELLANEOUS						
and-off	047-001634	and Driver			Shield Mounting	
polytic	045-100307	Coll, 20-Meter Antenna and Driver	050-000974		Bracket, Meter Mounting	067-010135
		L4,11,16, RF Choke, 1 MH	053-000560		Bracket, Pilot Light	067-010693
		L5			Bracket, Piston	067-013000
		L6	Coil, 60-Meter Mixer	050-001075	Capacitor Mounting	
		L7	Coil, 40-Meter Mixer	050-001074	Bracket, Potentiometer	067-011600
		L8	Coil, 20-Meter Mixer	050-001073	Mounting	
		L9	Coil, 60-Meter Driver	050-000975	Bracket, Terminal Board	067-010691
		L12,13	Parasitic Choke Assembly	050-001051	Mounting	
		L14	RF Choke	053-200428	Bracket, Tube Mounting (V15-18)	067-009814
		L15	Coil, P1 Output	050-001067	Bracket, 117 VAC/ MOBILE Switch (S5)	067-012995
		L16	Coil, VFO	050-001011	Cabinet	068-004589
		T1	Transformer, Mixer Plate	050-001024	Cable, Two-Conductor Shielded	067-007927
		T2	Transformer, Filter Termination	050-001023	Coupling, Insulated (C8 and C118)	029-200584
		T3,4,7	Transformer, 5200 KC IF	050-001021	Coupling, Insulated (S1)	029-001081
		T5	Transformer, Audio Output	055-000508	Cover, High Voltage Shield	068-004153
		T6	Transformer, Carrier Oscillator Plate	050-001025	Dial Pointer	062-000587
		T8	Transformer, Heterodyne Mixer Plate	050-001022	Dial Window	022-000698
ELECTRON TUBES, DIODES, AND CRYSTALS						
		V1	Tube, Type 12AW6	090-901319	Disc Drive Assembly (Inc. Dial Scale)	150-006930
		V2,11,13	Tube, Type 12BE6	090-900040	Disc, Pinch	028-000496
		V3	Tube, Type 12BZ6	090-001538	Disc, Pinch Drive	028-000497
		V4,17	Tube, Type 6EA8	090-901350	Disc, Support	028-000498
		V5	Tube, Type 12AX7A/ ECC83	090-901230	Escutcheon	007-000677
		V6	Tube, Type 6AQ5A	090-901331	Escutcheon Plate	007-000872
		V7	Tube, Type 12AU6 (Not Supplied)	090-001544	Filter, Crystal	049-000280
		V8,9	Tube, Type 12AT7	090-900034	Foot, Mounting (4)	018-201072
		V10	Tube, Type 6AM6A	090-001539	Front Panel	068-001676
		V12	Tube, Type 0A2	090-900001	Gear, Pinion	028-001087
		V14	Tube, Type 12BY7A	090-901192	Gear, Spur	028-001097
		V15,16	Tube, Type 6236	090-001629	Gear, Spur (Fixed)	028-001098
		CR1	Diode, Type 1N295	019-002980	Grommet, Rubber (K2)	018-100034
		CR2,3	Diode, Type 1N67	019-002941	High Voltage Shield Assembly	150-005600
		CR4	Diode, Type 1N191	019-102018	Insulator, Feed-Through (K1)	008-103697
		CR5	Diode, Type V-100	048-000484	Insulator, Feed-Through (VFO)	008-103722
		CR6	Diode, Type 1N34A	019-101916	Insulator, Stand-Off (L15)	008-108147
		CR7	Diode, Type 1N3253	019-002939-001	Knob, AF GAIN, MIC	015-001773
		CR8	Diode, Zener, Type 1N983A	019-003855	Knob, BAND SELECTOR, DRIVER TUNE, FINAL TUNE OPERATION	015-001775
		CR9	Diode, Zener	019-003461	Knob, Bar Type, CARRIER RF GAIN, RIT OFF/ON	015-001740-001
		Y1	Crystal, 100 KC (Not Supplied)	019-002712	Knob, DIAL CAL	015-001755-002
		Y2	Crystal, 5200 KC	019-003247	Knob, TUNING	015-001615-003
		Y3	Crystal, 3400 KC	019-003219	Medallion,	007-000650
SWITCHES						
		S1	Rotary, BAND SELECTOR (Inc. A1A Only)	060-002636	Hallicrafters "h" Meter	062-000586
		S1B & C	Wafer, Receiver RF Amplifier and Mixer	062-000210	Pilot Lamp, 1815	039-000689
		S1D	Wafer, Transmitter Driver	062-000209	Plate, Chassis, Left-Hand	063-007014
		S1E	Wafer, Transmitter PI Output	062-000208	Plate, Chassis, Right-Hand	063-006420
		S2	Rotary, OPERATION-POWER ON/OFF	060-002615	Plug, Six-Contact (Mates with J3)	035-000066
		S3	Rotary, RIT ON-OFF	P/O R99	Relay, Control	021-000729
		S4	Slide, SPST, Antenna Common-Separate	060-100440	Relay, Antenna	021-000731
		S5	Slide, DPST, 117 VAC/	060-002606	Ring, Retaining, Driver Tune Shaft	078-000972
					Ring, Retaining, Pinch Drive	078-102136
					Shaft, Band Selector	074-002891
					Shaft, Dial Disc	074-002759
					Shaft, Driver Tune	074-002873
					Shaft, Final Tune	074-002682
NTROL						
		J4	8-Pin Connector, MIC, W/hardware	010-101569	Shield, RF Power Amplifier	069-001784
		J5	Connector, ANTENNA, W/hardware	010-002663	Shield, VFO Can	069-001586
		J6	Connector, Phono Pin-Plug, Antenna	038-100041	Spring, Anti-Backlash	075-000641
					Spring, Ground	075-000959
					Spring, Pinch Drive	075-000902
					Terminal Board	008-000686



- NOTES.
1. UNLESS OTHERWISE SPECIFIED, ALL RESISTORS ARE IN OHMS $\pm 10\%$, 1/2 WATT. ALL CAPACITORS ARE IN PF. (SEE PARTS LIST FOR TEMPERATURE AND VOLTAGE RATINGS). FT INDICATES FEEDTHRU WITH NO CAPACITANCES.
 2. BAND SELECTOR SWITCH (S1) SHOWN IN 80M POSITION. OPERATION SWITCH (S2) SHOWN IN "OFF" POSITION. RIT SWITCH (S3) SHOWN IN "OFF" POSITION. ANTENNA SWITCH (S4) SHOWN IN "COMMON" POSITION. RELAYS (K1, K2) ARE SHOWN IN "RECEIVE" POSITION. I17 VAC - MOBILE SWITCH (S8) SHOWN IN I17 VAC POSITION.
 - 3.
 4. ALL SECTIONS OF BAND SELECTOR SWITCH (S1) ARE MECHANICALLY GANGED.

