







GENERAL.

Tuning Ranges . . . . . Full frequency coverage of the amateur bands in eight ranges as follows:

|     |                 |
|-----|-----------------|
| 80M | 3.5 to 4.0 MC   |
| 40M | 7.0 to 7.5 MC   |
| 20M | 14.0 to 14.5 MC |
| 15M | 21.0 to 21.5 MC |
| 10M | 28.0 to 28.5 MC |
| 10M | 28.5 to 29.0 MC |
| 10M | 29.0 to 29.5 MC |
| 10M | 29.5 to 30.0 MC |

Heterodyne Oscillator Crystals . . . . . Type CR-18A/U in HC-6 holder

| Band | Frequency     |
|------|---------------|
| 3.5  | 10,000.000 KC |
| 7.0  | 13,500.000 KC |
| 14.0 | 10,250.000 KC |
| 21.0 | 13,750.000 KC |
| 28.0 | 17,250.000 KC |
| 28.5 | 17,500.000 KC |
| 29.0 | 17,750.000 KC |
| 29.5 | 18,000.000 KC |

Types of Emission . . . . . SSB - Selectable USB/LSB with suppressed carrier.

CW - Keyed RF carrier.

Frequency Control . . . . . Self-contained VFO for transmit and receive modes. Separate transmitter frequency control available with Model HA-20 DX Adaptor unit.

Transmission Control . . . . . Single Sideband Operation

MOX - Manual (Push-to-talk).

VOX - Voice control.

CW Operation.

MOX - Manual.

VOX - Automatic break-in.

Dial Calibration. . . . . One KC increments, 500 KC tuning range.

Calibration Accuracy. . . . . Less than 2 KC error across the dial after indexing at high frequency end of the dial. Band to band calibration error less than  $\pm 2$  KC. Internal 100 KC crystal controlled calibrator.

Frequency Stability . . . . . Less than 250 cycles drift in first hour, after a fifteen minute warm-up, and less than 100 cycles per hour thereafter.

Tube and Diode Complement . . . . . 19 tubes plus one voltage regulator and 22 diodes. See table of Tubes and Functions.

Cable Connector Data . . . . . Front Panel  
MIC connector - Amphenol type 80-MC2M.  
PHONES jack - Standard 1/4-inch two conductor phone plug.

Rear Cabinet  
KEY jack - Standard 1/4-inch two conductor phone plug.  
ANTENNA connector - Mil. No. PL-259 (49190) UHF series.  
RCVR AUDIO (500 OHMS) connector - Standard RCA phono plug.  
POWER connector - Cinch-Jones type S-312-CCTL (12-pin plug).  
HI-VOLTAGE connector - Cinch-Jones type S-2402-CCT (2-pin plug).  
ACCESSORY connector - Amphenol type 86-PM11 (11-pin plug).

Power Supply Requirements . . . . . Model P-2000 (Refer to data for Model P-2000 Power Supply).

Construction . . . . . Light weight aluminum.

Dimensions (HWD) . . . . . 7-3/4 x 16-1/2 x 15 inches.

Net Weight . . . . . 26 pounds.

Shipping Weight . . . . . 30 pounds.

TRANSMITTER

Power Input\* . . . . . SSB HIGH POWER - 2000 watts PEP.  
SSB LOW POWER - 1000 watts PEP.  
CW - 900 watts maximum.

Power Output\* . . . . . SSB HIGH POWER - 1000 watts PEP.  
SSB LOW POWER - 500 watts PEP.  
CW - 500 watts.

\*Slightly lower on 15M and 10M bands.

Output Impedance . . . . . 50 ohms nominal. Adjustable, 40 to 70 ohms essentially non-reactive.

Type of Sideband Generation . . . . . Solid state modulator with 1650 KC, 6 pole crystal filter. (Nominal 3 DB BW = 2.1 KC.)

Microphone Input . . . . . High impedance. Input sensitivity of 5 millivolts RMS or less for PEP output.



Line protection is provided by two 12-ampere fuses wired so that they operate in series from a 230-volt AC source and in parallel from a 115-volt AC source. The use of one size fuse for either source voltage avoids the possibility of incorrect line protection.

Diode Complement - 9 silicon diodes.

Fuse Ratings -

12 Ampere 250V type 3 AB.  
3 Ampere 250V type 3 AG.

Power Supply Requirements -

115V, 2-wire or 230V, 3-wire AC,  
60 cycles, single phase.

Input Power Requirements -

Transmit - 2300 Watts.  
Receive - 175 Watts

Dimensions (HWD) - 7-3/4 x 10-5/6 x 15 inches.

Net Weight - 61 pounds.

Shipping Weight - 65 pounds.

#### Model HA-20 DX Adapter

Styled to complement the Model SR-2000 Transceiver, the DX adapter contains a VFO unit equal to the VFO in the Model SR-2000 and a VSWR bridge.

The VFO in the DX adapter provides separate transmitter frequency control which will allow reception with the Model SR-2000 VFO outside the American Amateur bands and transmission, via the DX adapter VFO, within the American bands. Dial calibration of the DX adapter VFO, through the Model SR-2000 Transceiver and calibrator, provides transmitter frequency control equal to that of the Model SR-2000 Transceiver.

The VSWR bridge metering and forward/reverse RF power switching are contained within the DX adapter. The bridge module connected into the antenna transmission line is designed to handle the full PEP output of the Model SR-2000. With a continuous VSWR check available, the operator knows at all times whether his antenna system is functioning properly.

The DX adapter receives power from its own 115V AC line cord. The control and signal circuits are carried to the Model SR-2000 through the ACCESSORY cable connector.

Power Supply Requirements -

115V AC, 60 cycles, 20 watts.

Dimensions (HWD) - 7 x 10-5/8 x 8 inches.

Net Weight - 9 pounds.

Shipping Weight - 12 pounds.

## SECTION III INSTALLATION

### 3-1. UNPACKING.

After unpacking the Model SR-2000 Transceiver and Model P-2000 Power Supply, examine them carefully for possible damage that may have occurred in transit. If the equipment has been damaged, file a claim immediately with the carrier, stating the extent of the damage. Carefully check all shipping labels and tags for special instructions before removing or destroying them.

The power supply unit is shipped on a wood platform to support its weight. To remove the shipping platform, carefully turn the power supply unit over and set it down bottom side up. When handling the power supply, keep in mind that it weighs around 60 pounds. Remove the four shipping platform mounting screws (No. 10 x 3/4 - inch) and lift the platform clear. Mount the four cabinet feet with the No. 10 x 1/2 - inch screws

and flat washers supplied. The cabinet feet are fastened to the cabinet and chassis in the same mounting holes that were used for attaching the shipping platform. Be sure to install the flat washers between cabinet feet and the heads of the screws. **DO NOT USE THE No. 10 x 3/4 - INCH SHIPPING PLATFORM HARDWARE TO FASTEN THE CABINET FEET.**

Set the power supply unit back on its feet.

### 3-2. LOCATION.

The Model SR-2000 Transceiver and Model P-2000 Power Supply are, for operating convenience, designed to be placed side by side. The power supply may be located on either side of the transceiver unit as desired. It is very important that the transceiver be placed in an operating position that provides unobstructed circulation of

air directly behind and at the top of the unit. The air intake for the cooling blower is located at the rear of the cabinet and the unit exhausts the warm air out the top of the cabinet. UNDER NO CIRCUMSTANCES SHOULD ANY OBJECT BE PLACED ON TOP OF EITHER CABINET WHICH WOULD OBSTRUCT NORMAL FLOW OF THE COOLING AIR.

### 3-3. POWER SOURCE.

The Model P-2000 Power Supply for the Model SR-2000 Transceiver is designed to operate from either 115-volt, 2-wire, or 230-volt, 3-wire 60 cycle single phase service. Operation from 230-volt, 2-wire service, available in many countries will necessitate the use of an additional conversion transformer. Details for this type installation may be obtained by contacting The Hallicrafters International Division, 4401 W. 5th Avenue, Chicago, Illinois, 60624.

Under peak power input conditions, the equipment may draw in excess of 10 amperes from 230-volt service or in excess of 20 amperes from 115-volt service. This power requirement will generally exceed the capabilities of most home 115-volt wall outlets. If the station is to operate from a 115-volt outlet, a separate circuit rated at 30 amperes should be provided.

Note that the line cord wiring for 115-volt service requires that one side of the line shall be connected to terminals 1, 2 and 5 and the other side of the line shall be connected to terminals 3 and 4. The ground pin of the line cord plug is wired to the ground bolt on the chassis (Green lead).

If the equipment is to operate from a 230-volt, 3-wire, 60 cycle single phase service outlet, make the following changes in the power supply terminal strip wiring.

A. Disconnect the line cord leads (three leads) and all jumpers connected to the terminal strip and to the chassis ground bolt. Retain the jumper wires for possible re-use.

B. Connect terminal 2 to terminal 3, using the short jumper wire just removed in step A.

C. Connect the green line cord lead to terminal 5. This is the neutral wire of the three wire system.

D. Connect one of the two remaining line cord leads (black or white) to terminal 1 and the other to terminal 4. This completes the terminal strip wiring for 230-volt operation.

E. Disconnect and remove the line cord supplied for 115-volt service. A 230-volt service plug has been supplied with the power supply for this purpose. Install and wire the 230-volt service plug, connecting the green neutral

held in place with two screws. See figure 2.

outlet.

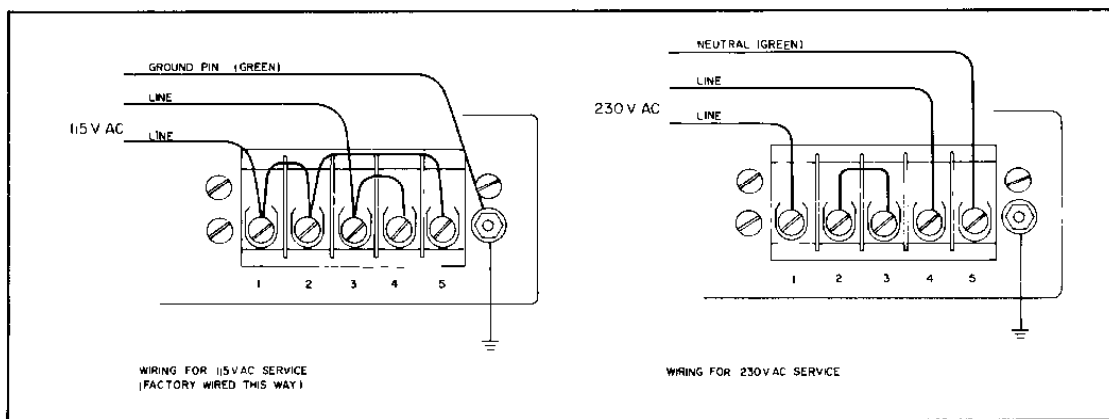


Figure 2. Model P-2000 Power Supply, Primary Power Connections.

156-007366

#### CAUTION

THE VOLTAGES USED IN THE MODEL SR-2000 AND MODEL P-2000 ARE LETHAL. NEVER DEFEAT THE SAFETY INTERLOCK OR WORK INSIDE THE CABINETS OF EITHER UNIT WITH PRIMARY POWER CONNECTED.

#### 3-5. INTER-CONNECTING THE TRANSCEIVER AND POWER SUPPLY.

The line cord must not be connected to the service outlet while interconnecting the two units. Interconnect the two units as follows:

A. Plug the 12-pin low voltage cable connector into the transceiver receptacle marked POWER, located at the rear of the transceiver cabinet.

B. Plug the 2-pin high voltage/screen voltage cable connector (two wire cable) into the mating receptacle at the rear of the transceiver cabinet near the top.

C. Interconnect the GROUND studs of the transceiver and power supply with the lugged ground braid supplied. Clamp the lugs of the braid between the flat washers of the ground studs and tighten the stud nuts securely. This braided ground strap acts as a safety bond between the power supply and transceiver units since it backs up the ground wire in the low voltage cable. Reference should be made to figures 3, 4, and 5 when interconnecting the two units.

#### 3-6. GROUND CONNECTION.

In the interest of safety, it is strongly recommended that the Model SR-2000 and Model P-2000 units be grounded to a cold water pipe or good electrical earth ground. Station equipment that is left unbonded between units or between the equipment and ground may assume potential differences that could present a shock hazard.

In addition to the braided bond between the transceiver and power supply, connect a No. 14 ground wire or 1/8 inch tubular braid between the power supply ground stud and a cold water pipe or outside ground stake.

#### 3-7. ACCESSORY CONNECTOR.

As shipped from the factory, the Model SR-2000 ACCESSORY receptacle will have a jumper plug (P1) installed to permit normal operation of the transceiver. Should the Model HA-20 DX

Adaptor be added to the station set-up, remove the jumper plug and connect the mating cable connector from the Model HA-20 in its place.

#### 3-8. ANTENNA CONNECTION.

The Model SR-2000 Transceiver is designed to terminate in a 50-ohm unbalanced transmission line.

While a non-reactive 50-ohm load is preferred for optimum results, a VSWR of 2:1 can be accommodated by the transmitter with acceptable results. Many of the popular di-pole or beam antennas using 50-ohm transmission lines will give excellent results.

For more detailed information on the subject of antennas, refer to the "Radio Amateur's Handbook" or the "ARRL Antenna Book" both published by the American Radio Relay League.

#### IMPORTANT

Some form of lightning protection should be provided which will comply with local code requirements.

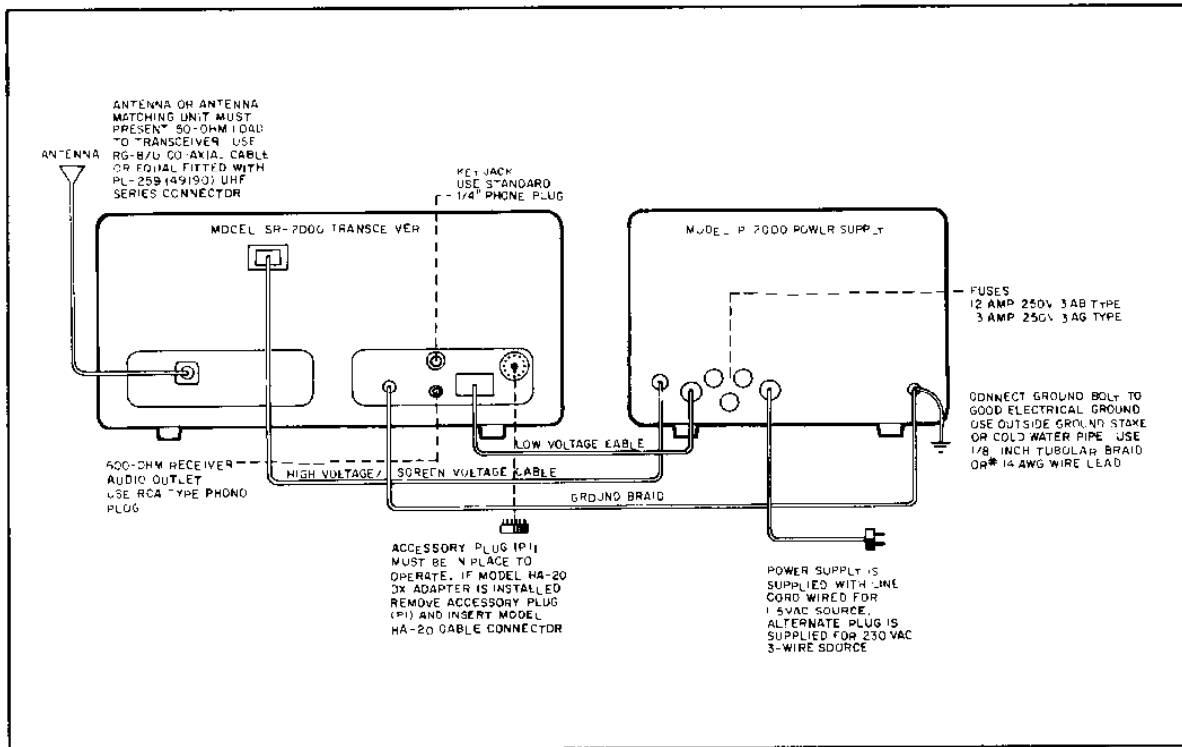
The ANTENNA connector located on the rear chassis apron of the Model SR-2000 Transceiver mates with a Mil. No. PL-259 (49190) UHF series coaxial connector. Use 52-ohm Mil. No. RG-6/U coaxial cable or equivalent for the feed line to the station antenna system.

Antenna systems with terminating impedance other than 50 ohms will require an impedance matching device capable of handling RF power of better than one kilowatt PEP.

#### CAUTION

NEVER OPERATE THE MODEL SR-2000 TRANSCEIVER AS A TRANSMITTER WITHOUT A MATCHED ANTENNA OR ADEQUATE DUMMY LOAD TERMINATION. ILLUMINATING LAMPS WILL NOT PRESENT A CONSTANT LOAD IMPEDANCE. DAMAGE TO THE POWER AMPLIFIER TUBES AND PI NETWORK COMPONENTS IS POSSIBLE IF THE EQUIPMENT IS OPERATED AS A TRANSMITTER UNLOADED. DO NOT OPERATE THE TRANSMITTER INTO AN ANTENNA SYSTEM HAVING A HIGH VSWR ON ITS TRANSMISSION LINE.





156-007380

Figure 5. Typical Installation.

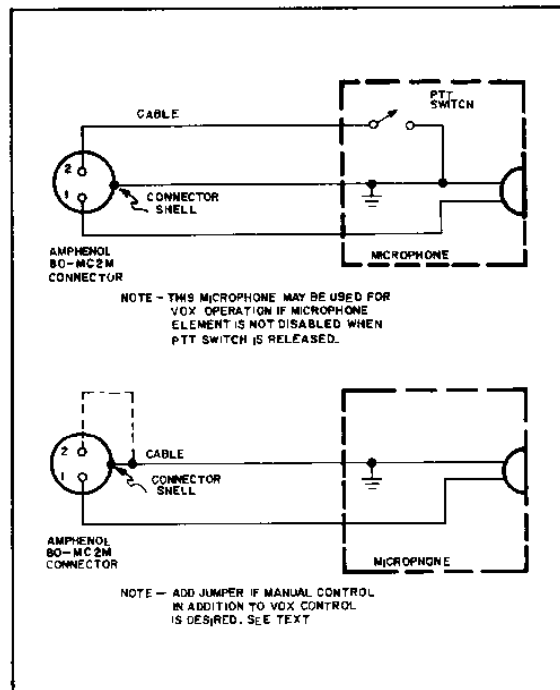
### 3-9. MICROPHONE REQUIREMENTS.

The microphone receptacle is located on the front panel. The microphone cable should be fitted with an Amphenol type 80-MC2M connector wired as shown in figure 6.

Any good high impedance crystal or dynamic type microphone may be used, however best results will usually be achieved with a microphone designed especially for voice communication use.

The microphone circuit shown with the PTT switch may also be used with VOX control, however some microphones fitted with push-to-talk switches also mute the microphone element until the switch is pressed, hence VOX operation is not possible unless the microphone switch is altered accordingly.

Microphones without push-to-talk switching may be used with voice controlled operation (VOX). With the addition of the jumper wire shown (dashed line), these microphones may also be used when manual operation is desired. In this case, setting the OPERATION control at MOX places the transmitter on the air, and returning the control to REC puts the transceiver back in the receive mode.



156-007375

Figure 6. Microphone Wiring, With and Without Push-to-Talk Switch.

### 3-10. KEYER CONNECTION.

The station keyer is connected to the transceiver at the key jack located on the rear chassis apron. The key jack accepts a standard 1/4-inch phone plug. Wire the plug so that the key base connects to the plug sleeve which is at ground potential.

### 3-11. HEADPHONE CONNECTION.

Headphone reception may be had by connecting headphones to the PHONES jack located

on the front panel of the transceiver. The headset cord should be fitted with a standard 1/4-inch phone plug to mate with the panel jack.

The speaker unit in the Model P-2000 Power Supply is disabled when headphones are plugged into the PHONES jack. High or low impedance headphones may be used. A station speaker with a voice coil impedance of 3 to 4 ohms may be connected to the transceiver through the PHONES jack, if desired. Connect the ground side of the speaker or headphones to the sleeve terminal of the phone plug.

## SECTION IV FUNCTIONS OF OPERATING CONTROLS

All controls utilized during normal operation of the Model SR-2000 Transceiver and P-2000 Power Supply are located on the front panel of each unit.

### MODEL SR-2000 CONTROLS

#### 4-1. TUNING CONTROL.

The tuning control knob is located at mid panel just below the dial escutcheon. The control drives the VFO capacitor which is the frequency determining element of the transceiver. The frequency to which the unit is tuned is displayed in the left-hand window and in the window above the knob. Metering information is displayed in the right-hand window.

The frequency dial in the left-hand window has two calibrated scales. The black scale is calibrated from 0 to 500 KC and the red scale is calibrated from 500 to 1000 KC. The dial scales are color coded to the BAND SELECTOR calibrations which also display the first digits of the operating frequency to the left of the decimal point.

By rotating the tuning knob and watching the two dial displays you will observe that the knob scale divides the 100 KC increments of the main dial scale into one kilocycle increments.

The following examples will aid in developing the readout technique:

Set the BAND SELECTOR at 3.5 (Red), and set the tuning knob so that the red scale indicates 650 near the fiducial and the knob dial scale indexes at 55 with its fiducial. The frequency then reads out as 3.655 MC or 3655 KC.

Now set the BAND SELECTOR at 14, and leave the tuning knob set as before. The frequency now reads out at 14.155 MC or 14,155 KC since we are now using the black dial scale on this band. Basically, we obtain 14 MC from the BAND SELECTOR calibration and 155 KC, from the black dial and knob dial scales.

#### 4-2. RIT CONTROL - ON/OFF.

The Receiver Incremental Tuning (RIT) control consists of two controls with concentric shafts. The ON/OFF function of the lever control either places the variable-element RIT control in or out of operation. This control, in the ON position, enables the operator to fine-tune the receiver plus or minus two KC by means of the RIT potentiometer (round knob) without disturbing the initial receiver or transmitter frequency. Returning the control to the OFF position again locks the receiver frequency to the transmitter frequency. RIT must be turned OFF to calibrate the dial or to operate the transmitter and receiver on a common frequency. The warning lamp to the right of the RIT control serves to call attention to the fact that the RIT control is in operation.

#### 4-3. RF - AF (Receiver).

The RF and AF gain controls located in the left-hand group, are two potentiometers mounted on concentric shafts. The RF gain control (lever knob) varies the gain of the receiver RF amplifier stage. Maximum receiver sensitivity is obtained with the bar knob set at 10 (fully clockwise).

The AF gain control (round knob) adjusts the audio output level from the speaker or headphones (PHONES jack). Clockwise rotation of the control increases the audio signal level applied to the first audio amplifier stage of the receiver audio amplifier stages.



When noise immunity is desired the NOISE BLANKER control is turned clockwise from its OFF position until the noise level drops to an acceptable signal to noise ratio.

#### 4-7. CAL. ADJ. (Dial Calibration Adjustment).

Dial calibration error of the tuning dial may be corrected by the CAL. ADJ. control. The dial calibration mark and the frequency of reception or transmission may be made to coincide with the use of this control adjustment and the 100 KC crystal marker oscillator (OFF/CAL switch).

#### 4-8. OFF/CAL (Calibrate Signal).

This is an ON/OFF switch used to turn on the 100 KC marker crystal oscillator when the operator wishes to check the dial calibration accuracy of the SR-2000 at the 100 KC points on the dial.

#### 4-9. BAND SELECTOR.

The BAND SELECTOR control is an eight-position rotary switch used to select the desired operating frequency range. The panel markings refer to the low frequency limit of that band in megacycles. The switch positions in red indicate that the red dial scale is to be used on these bands, and the black dial scale is used for the remaining bands.

#### 4-10. PRESELECTOR

The PRESELECTOR control drives a three-section variable capacitor which tunes both receiver and transmitter circuits to frequency within a given band. In the receive mode the receiver RF amplifier and first mixer stages are tuned to frequency, while in the transmit mode, the control tunes the transmitter second mixer and driver stages to frequency. The segmented dial scale provides for an initial setting when changing bands.

For general receiver tuning, the control is adjusted for maximum receiver sensitivity, however, for transceive operation the control is adjusted for maximum transmitter output during transmitter tune-up and left at this setting for the receive mode.

#### 4-11. RF - AF (Transmitter).

The RF and AF controls, located in the right-hand group, are two potentiometers mounted on concentric shafts. The RF level control (lever knob) varies the RF carrier level for CW operation or for tune-up purposes for both CW and SSB operation. Maximum CW output is obtained as the bar knob is turned clockwise toward 10 on the panel.

The AF gain control (round knob) adjusts the audio level to the balanced modulator stage from the microphone amplifier stages. Clockwise rotation of the control knob increases the microphone sensitivity and reaches maximum sensitivity at 10 on the panel.

#### 4-12. METER.

The METER control is a three-position switch used to select the metering information desired by the operator.

In the receive mode the first two switch positions provide "S" meter information about the received signal strength. At S-9 on the meter scale, the received signal level represents approximately 50 microvolts at the antenna terminals. The third switch position functions only in the transmit mode.

In the transmit mode the first switch position, marked RFO, provides an RF voltage measurement across the antenna terminals of the transmitter for tune-up purposes. Since the transmitter will always be tuned for maximum RF voltage, the meter calibration, as such, is relative and the operator may use the S-meter scale to keep track of normal output levels obtained for CW and SSB operation.

In the AALC switch position the meter monitors the amplified automatic level control voltage developed to control the final amplifier drive level for SSB operation. A meter deflection in this position indicates that the voice peaks are approaching the point of flat topping of the output signal. Excessive deflection during SSB transmission is normally corrected by backing off the setting of the microphone gain control until only an occasional pointer deflection is noted.

In the SCREEN MA position the meter indicates the screen current drawn by the final amplifier tubes while transmitting. In the receive mode the meter is disabled. For further information regarding the use of the screen current meter readings refer to Section V, Tuning Procedure.

#### 4-13. PLATE - LOAD (Final Tuning).

The PLATE and LOAD controls consist of separate variable air capacitors in the PI network circuitry of the final amplifier. They are driven through concentric shafts by two knobs, the larger of the two knobs drives the plate capacitor and the smaller knob drives the load capacitor. A 0 to 10 panel scale provides the operator with a logging scale for pre-setting the capacitors when changing bands. For more specific information on the use of these controls, refer to Section V, Tuning Procedure.



## SECTION V TUNING PROCEDURE

The operating procedure for the Model SR-2000 Transceiver is not complicated; however, normal care should be exercised when operating the gear to realize the true performance designed into the equipment. Before applying power to the equipment for the first time, it would be well to recheck the critical items of the installation.

● Is the line cord correctly wired for the supply voltage used?

- Is the station antenna system connected and is it compatible with the power capability and load impedance requirements of the transceiver?
- Are the interconnecting cables between the Model SR-2000 Transceiver and Model P-2000 Power Supply in place?
- Is the equipment bonded to a good electrical ground?

### IMPORTANT

Before operating the transmitter portion of the transceiver, the bias adjustment control (BIAS ADJ), located on the transceiver panel, must be correctly set. Refer to the basic transmitter tune-up procedure (Paragraph 5-4, C) or to the bias adjustment procedure in SECTION VIII (Paragraph 8-3).

### 5-2. RECEIVER OPERATION.

The transmitter group of controls, not specifically mentioned below, have no direct bearing on receiver operation and may be disregarded for the moment.

A. Pre-set the Model SR-2000 panel controls as follows:

RIT CONTROL . . . . . OFF  
 RF (Receiver group) . . . . . 10 (Full CW)  
 AF (Receiver group) . . . . . As required  
 OPERATION . . . . . OFF  
 FUNCTION . . . . . USB or LSB as required

NOISE BLANKER . . . . . OFF (Full CW)

OFF/CAL . . . . . OFF

BAND SELECTOR . . . . . Desired band

PRESELECTOR . . . . . Set at band segment in use

METER . . . . . REC/S

B. Connect the line cord plug to the power source outlet and set the OPERATION control at REC. The dial and meter faces on the transceiver will become illuminated and the blower for the final amplifier stage will start and run at low speed. Check to be sure the blower is operating, it must run at low speed when the heater power is applied to the final amplifier stage tubes. When the transceiver is switched from the receive to transmit mode, the blower speed will increase to provide maximum cooling.

After a one to two minute delay the meters in the Model P-2000 Power Supply will become illuminated indicating that the delay relay has closed. The high voltage may be applied anytime after the delay relay has closed.

Generally the high voltage is left off until transceiver operation is contemplated.

C. Use of the PRESELECTOR Control - As the receiver is tuned across the band an occasional readjustment of the PRESELECTOR control will be found necessary. Always adjust it for maximum "S" meter reading on signal or for maximum background noise without signals present. When the PRESELECTOR control has been set on frequency during transmitter tune-up, it must then be left at that setting for receive. The exact setting is more critical for transmitter operation than for the receiver mode.

D. Use of the RF control - Normally the RF (Receiver group) control is set at 10 or full clockwise to obtain full AGC (Automatic Gain Control) action for uniform speaker output while tuning in stations of varying signal strengths across the band. While AGC is customarily employed for SSB reception, it may also be used to advantage for CW code reception. The RF control must be set at its full clockwise position to obtain normal "S" meter operation, as you will notice that the "S" meter deflection falls off on signal as the RF control is backed off from its maximum setting.

Manual control of the receiver sensitivity, at times, is desirable and the operator may set the RF control as required for these occasions.

E. Tuning with the RIT Control — There are contacts wherein the operator finds it advantageous to be able to tune his receiver a few kilocycles either side of the operating frequency without disturbing his own transmitter frequency. The Model SR-2000 transceiver has the capability to do just that. To tune the receiver a few kilocycles (2 to 3 KC) either side of the operating frequency without disturbing the transmitter frequency, switch the RIT control ON (lever knob) and then tune the receiver with the RIT (knob) control. The transmitter will remain set at the dial frequency. Turning the RIT knob clockwise increases the receiver frequency. Switching the RIT control OFF returns the receiver to the dial frequency.

One word of caution. Don't leave the receiver in the RIT position when true transceive operation is desired, since it would be a matter of chance if the two modes happened to be operating on the same frequency. The warning lamp serves to call attention to the fact that the RIT control is active.

E. How to use the NOISE BLANKER Con-

with all noise silencers, the situation can generally be improved but not cured. When severe impulse noise (ignition, electrical appliances, etc.) is encountered, turn the NOISE BLANKER control clockwise until the noise level drops. The control An increase in gain setting beyond this point will not improve the signal to noise ratio, but can introduce undesirable side effects such as cross modulation products resulting in spurious signal reception.

The noise blanker works equally well for SSB or CW code reception.

5-3. DIAL CALIBRATION.

A. Preset the Model SR-2000 panel controls as follows:

- RIT CONTROL . . . . . OFF
- RF (Receiver group) . . . . . 10 (Full CW)
- AF (Receiver group) . . . . . As required
- OPERATION . . . . . REC

- FUNCTION . . . . . USB or LSB as required
- NOISE BLANKER . . . . . OFF (Full CCW)
- OFF/CAL . . . . . CAL
- BAND SELECTOR . . . . . Desired band
- PRESELECTOR . . . . . Tune for maximum "S" meter deflection
- METER . . . . . RFO/S

B. To calibrate the dial for average accuracy over the entire band, set the dial to the highest 100 KC point on the band (4000 KC on 80M, 7500 KC on 40M, etc.) and use the LSB FUNCTION control position while calibrating.

For better than average dial calibration accuracy, set the dial at the 100 KC point on the dial nearest the desired frequency and leave the FUNCTION control set for the sideband in use.

In either case the knob dial scale will read zero when correctly set to the 100 KC point on the main dial.

C. Adjust the CAL ADJ control for zero

OFF when calibrating the dial.

D. After calibrating the dial, shut the calibrator off. Operation of the Model SR-2000 with the calibrator turned on is not recommended. 5-4. BASIC TRANSMITTER TUNE-UP.

The transmitter portion of the transceiver is always tuned with the High Power/Low Power switch in the SSB LOW POWER-CW-TUNE switch position on the Model P-2000 Power Supply. The receiver group of controls, not specifically mentioned below, have no direct bearing on the transmitter tune-up procedure and may be disregarded for the moment.

A. Preset the panel controls for transmitter tune-up as follows:

- OPERATION . . . . . REC
- FUNCTION . . . . . TUNE
- BAND SELECTOR . . . . . Desired band
- PRESELECTOR . . . . . Set at band segment in use

Tuning Dial . . . . . Set to desired frequency

METER . . . . . RFO/S

RF (Transmitter) . . . . . At zero (Full CCW)

AF (Transmitter) . . . . . At zero (Full CCW)

PLATE (Final Tune Capacitor) . . . . . (Nominal chart setting)

LOAD (Final Loading Capacitor) . . . . . (Nominal chart setting)

High Power/Low Power. . . SSB LOW POWER-CW-TUNE

HIGH VOLTAGE . . . . . OFF (Red indicator not illuminated)

C. Set OPERATION control at MOX. PLATE CURRENT meter indicates 0.2 ampere (200 milliamperes) RFO meter indicates zero output. The blower speed increases.

**NOTE**

Should the PLATE CURRENT meter indicate other than 0.2 ampere and the RFO meter indicate zero, set the BIAS ADJ. control (screwdriver adjustment) for 0.2 ampere idle plate current. If the RFO meter indicates output, the plate current would be more than 0.2 ampere — check to see that the RF control setting is fully CCW (zero).

B. Press the HIGH VOLTAGE ON button. The PLATE VOLTS meter indicates approximately 1700 VDC. The red HIGH VOLTAGE warning indicator lights. If the high voltage does not come on, check the High Power/Low Power switch setting, it must be set at SSB LOW POWER-CW-TUNE to activate the high voltage supply. The transceiver must be turned on for a period of 1-1/2 to 2 minutes before the delay relay will permit the application of high voltage to the final amplifier stage.

D. Watch the RFO meter and turn the RF control (transmitter group) clockwise slowly until the RFO meter indicates a low output level, say S-3 to S-5 on the "S" meter scale. Adjust the PLATE control first and then the PRESELECTOR control for maximum RFO meter reading. Turn the RF control counterclockwise, if the RFO meter indicates above S-7 while tuning. The driver and final amplifier stages are now resonated, but the final amplifier stage still requires a loading adjustment.

**PLATE AND LOAD CONTROL SETTINGS FOR 50-OHM LOAD**

| FREQUENCY | PLATE   |        | LOAD    |        |
|-----------|---------|--------|---------|--------|
|           | NOMINAL | ACTUAL | NOMINAL | ACTUAL |
| 3.5 MC    | 1       |        | 3       |        |
| 3.75 MC   | 3-1/2   |        | 4       |        |
| 4.0 MC    | 5       |        | 5-1/2   |        |
| 7.0 MC    | 7       |        | 3-1/4   |        |
| 14.0 MC   | 5       |        | 5       |        |
| 14.35 MC  | 5-1/2   |        | 5-1/4   |        |
| 21.0 MC   | 7       |        | 4-1/4   |        |
| 21.45 MC  | 7-1/4   |        | 4-1/2   |        |
| 28.0 MC   | 8-1/2   |        | 5       |        |
| 29.7 MC   | 9       |        | 5-1/2   |        |

The data above are based on average Model SR-2000 PLATE and LOAD control settings when operated into a purely resistive 50-ohm load. These settings will, of course, vary with the loading variations presented by your installation and it is suggested that you note in the appropriate column the final control settings required for use with your antenna to facilitate a rapid initial adjustment when changing bands or frequency within the band.

F. Set the METER switch at SCREEN MA.

G. As the operating frequency is changed

required as follows:

1. Loading too light - If the screen current reached 10 to 20 MA. with the plate current lagging behind or even refusing to rise to 0.4 or 0.5 ampere the loading is too light and the LOAD control must be turned clockwise to increase the coupling or loading on the final amplifier stage.

2. Loading too heavy - If the plate current reached 0.4 ampere to 0.5 ampere and the screen current either reversed or failed to rise to 10 to 20 MA., the loading is too heavy. To correct this condition turn the LOAD control

3. Loading normal - When the plate current rises to 0.4 ampere or 0.5 ampere and the screen current rises to 10 to 20 MA. as a maximum as the RF control is turned fully clockwise, the loading is considered normal. At full clockwise rotation the screen current will fall back a few milliamperes indicating an overdriven condition.

F. Each time the LOAD control setting is changed, the PLATE control must be retuned to resonance. The screen current may be used to indicate plate circuit resonance as well as proper loading, since you will notice that the screen current passes through a maximum exactly as the RFO voltmeter goes through maximum when the PLATE control is tuned for resonance.

The exact LOAD control setting may now be determined as follows: Advance the RF control until the plate current reaches 0.4 to 0.5 ampere or the screen current reaches 10 to 20 MA. If the screen current remains at zero or reverses, turn the LOAD control counterclockwise a small amount to reduce the loading so that screen current, less than 15 milliamperes, will flow. Peak the screen current with the PLATE control to re-resonate the final stage. Continue to advance the RF control setting while holding the screen current to less than 20 MA. with a LOAD control adjustment and re-resonate the final stage each time with the PLATE control. When correct loading is obtained, the RF control may be rotated through its entire range and the screen current will rise to 10 to 20 MA. and possibly fall back a few milliamperes when the RF control is fully clockwise and in the over-driven condition.

final amplifier loading, the load check and possible LOAD control adjustment should be made. Some idea of the variation in LOAD control setting with frequency within a given band may be obtained from the nominal settings shown in the tuning chart.

H. Set the OPERATION control at REC to restore receiver operation. When the use of the transmitter is not immediately required, disable the high voltage by pressing the HIGH VOLTAGE OFF button - the red warning lamp will go out.

5-5. CW OPERATION.

following controls are correctly set for CW operation:

- High Power/Low Power. . . SSB LOW POWER-CW-TUNE
- HIGH VOLTAGE . . . . . Lamp is lit (ON button has been pressed)
- FUNCTION . . . . . TUNE
- METER . . . . . SCREEN MA
- RF (Transmitter). . . . . Zero (Full CCW)
- AF (Transmitter). . . . . Zero (Full CCW)
- PLATE . . . . . Adjusted per paragraph 5-4
- LOAD . . . . . Adjusted per paragraph 5-4
- PRESELECTOR. . . . . Adjusted per paragraph 5-4
- BAND SELECTOR . . . . . Desired band
- Tuning Dial. . . . . Set to desired frequency

The plate voltage meter indicates 1.7 KV (1700 VDC).

B. Assuming that the transmitter has been properly loaded and tuned to frequency as described in the basic transmitter tune-up procedure, switch the OPERATION control from REC to MOX. The plate current meter indicates 0.2 ampere. Advance the RF control (transmitter group) until the screen current reaches maximum. If the screen current is 10 to 20 MA. and the plate

FUNCTION . . . . . TUNE  
 METER . . . . . SCREEN MA  
 RF (Transmitter). . . . . Zero (Full CCW)

C. Leave the RF control set and switch the FUNCTION control to CW. The transmitter output will drop to zero, providing the keyer circuit is open. Press the key. The screen current should be 10 to 20 MA. and the plate current should run between 0.4 ampere and 0.5 ampere. While transmitting the screen current may be monitored or if an "S" meter reading is desired while in the receive mode, the METER switch may be set at RFO/S. The maximum RFO voltage and maximum screen current occur at the same settings of the PLATE and PRESELECTOR controls for tune-up purposes.

PRESELECTOR . . . . . Adjusted per paragraph 5-4  
 BAND SELECTOR . . . . . Desired band  
 Tuning Dial . . . . . Set to desired frequency

The plate voltage meter indicates 1.7 KV (1700 VDC).

D. Return the transceiver to the receive mode by switching the OPERATION control back to REC. This is your manual control over the transmit-receive function. If automatic control is desired, set the OPERATION control at VOX. The receiver will continue to operate until the key is closed. Open the key and observe the delay before the receiver is again active. This delay may be set as desired with the DELAY control, located under the cabinet cover. (See Figure 15.) The delay period increases as the DELAY control is turned clockwise.

B. Assuming that the transmitter has been properly loaded and tuned to frequency as described in the basic transmitter tune-up procedure, switch the OPERATION control from REC to MOX. The plate current meter indicates 0.2 ampere. Advance the RF control (transmitter group) until the screen current reaches maximum. If the screen current is 10 to 20 MA. and the plate current meter indicates between 0.4 and 0.5 ampere the loading is correct. Make one final adjustment of the PLATE control and PRESELECTOR control for maximum screen current to be sure the transmitter is in tune. Make this a habit - it saves tubes and puts a cleaner signal on the air. Return the RF control to zero (full CCW).

E. The Model SR-2000 Transceiver also provides a CW side-tone signal through the speaker or headphone output, which is keyed along with the transmitter, for monitoring purposes. The level may be varied as desired with the SIDE TONE control located under the cabinet cover. See Figure 15.

C. Switch the FUNCTION control to either USB or LSB depending upon the sideband to be used for transmission and reception. The plate current meter now indicates zero and the receiver is back in operation.

5-6. PUSH-TO-TALK SSB OPERATION.

A. Before switching the OPERATION con-

CW-TUNE  
 HIGH VOLTAGE . . . . . Lamp is lit (ON button has been pressed)

mitter group) until the meter pointer on the transceiver panel begins to kick up to approximately S-3 to S-5 on voice peaks. This is the correct working level. Use this meter

switch position when operating SSB to monitor the SSB transmissions. The microphone gain control setting will be found to be less critical because of the compression action of the AALC circuitry; however, the actual control setting still depends upon the type of microphone, the operator's voice characteristics, and his operating habits. Sufficient microphone gain has been built into the Model SR-2000 Transceiver to handle the usual range of levels associated with communications type microphones.

E. Release the microphone switch button. The transceiver returns to the receive function and the plate current drops to zero. The meter on the transceiver now monitors the strength of the incoming signals in the usual "S" units of measurement; S-9 represents approximately a 50-microvolt signal.

F. **HIGH POWER SSB OPERATION.** When operating single sideband, two power input levels are available. The tune-up and low power sideband operation are carried out with the High Power/Low Power switch on the Model P-2000 Power Supply set at SSB LOW POWER-CW-TUNE (1700 VDC supply voltage). When operating with single sideband phone transmissions the operator may use the SSB HIGH POWER position (2700 VDC supply voltage), after he has determined that the low power operation is performing to his satisfaction. Do not tune-up or transmit continuous carrier signals (CW) in the SSB HIGH POWER switch position. There are no final amplifier loading tests or adjustments required when switching from low power to high power operation. The only change in control setting that may be required is an increase in the AF control setting to accommodate the higher plate voltage. Again adjust for the AALC meter deflection on voice peaks. Always switch to SSB LOW POWER-CW-TUNE to make any tuning adjustments.

#### 5-7. VOICE CONTROLLED SSB OPERATION.

The operating procedures outlined for basic transmitter tune-up (paragraph 5-4) and push-to-talk sideband operation (paragraph 5-6) also apply for voice controlled single sideband operation. The following adjustments, therefore, are intended to apply only to the adjustment of the VOX control system.

To avoid unintentional transmission while adjusting the VOX system controls, set the AF (transmitter group) control at zero (Full CCW) and press the HIGH VOLTAGE OFF button to disable the final amplifier plate supply.

A. Turn the four transceiver cabinet cover screws 1/4 turn to loosen the fasteners and lift the top cover clear to gain access to the VOX controls.

B. Initially set the VOX, DELAY and ANTI-TRIP controls fully counterclockwise.

C. Set the OPERATION control at VOX and the FUNCTION control at either the USB or LSB position.

D. Turn the VOX control clockwise, while talking into the microphone, until the VOX control relay closes on the first syllable of speech. The transceiver will transfer from receive mode to transmit mode when the relay closes. Use just enough VOX gain to accomplish the desired results, too much gain will make the system over sensitive to speaker feedback and too little sensitivity will place a relatively high signal level at the antenna change-over relay contacts at the time it switches over to transmit.

E. Adjust the DELAY control for the desired drop-out delay. The delay period increases as the DELAY control is turned clockwise. The delay period should be long enough to prevent change-over between words but not long enough to miss the other operator's quick reply.

F. Set the receiver AF control for the desired listening level and advance the ANTI-TRIP control (clockwise) until the received signals do not actuate the VOX control relay. Excessive anti-trip gain or a major increase in the established listening level may lock out the voice control system.

G. With the VOX controls adjusted, either method of control may be selected by setting the OPERATION control at MOX for manual control or at VOX for voice control. To place the transmitter in operation, restore the high voltage and reset the transmitter AF gain control watching the AALC metering as you speak into the microphone.

H. Replace the cabinet cover and turn the screws 1/4 turn clockwise to lock the cover in place.

#### NOTE

Some microphones, equipped for push-to-talk control, have shorting contacts in the switch to disable the microphone element when the push button is released. VOX operation will not be feasible unless this circuitry is disconnected within the microphone.

## SECTION VI THEORY OF OPERATION

### 6-1. GENERAL.

The Model SR-2000 Transceiver consists of a double conversion receiver and double conversion transmitter. To achieve true on frequency transceiver operation, the VFO, heterodyne crystal oscillator, and carrier frequency oscillators all contribute to the transmit and receive functions. In addition, the 6.0 - 6.5 MC IF amplifier and 1650 KC IF amplifier stage associated with the crystal lattice filter all function for both modes.

Circuitry that would be compromised, performance wise, to accomplish common usage between the transmit and receive function is avoided in the design of the Model SR-2000 Transceiver.

Refer to figure 9 for the block diagram of the system and to figures 21 and 22 for schematic details.

### 6-2. RECEIVER SECTION.

The signal (f1) at the antenna connector is fed to the receiver RF amplifier stage (V1) through the antenna change-over relay (K1) located in the transmitter final amplifier section. The signal is amplified and passed on to the first receiver mixer (V2A), where it is heterodyned to frequency (f2) which is the difference between the heterodyne crystal oscillator (V12) frequency (X1) and the signal frequency (f1). The resulting variable IF signal (f2) falls between 6.0 MC and 6.5 MC. The RF amplifier and first receiver mixer tuned circuits are selected by the BAND SELECTOR switch and tuned by the PRESELECTOR control capacitor.

The variable IF signal (f2) is amplified by a broad band IF amplifier (V3A) and then heterodyned to the second IF frequency of 1650 KC (f3) by mixing with the VFO (variable frequency oscillator) (V13 and V4B) in the second receiver mixer (V4A).

With the NOISE BLANKER control set at

noise rejection, the noise amplifier stage (V5A) samples and amplifies the 6.0 to 6.5 MC noise and signal (f2). The signal and noise pulses in this path are then detected and shaped into

positive going pulses with diode CR7. The detected signal, which is now predominantly noise pulses, is amplified by the pulse amplifier stage (V5B). The negative going pulses are then fed to grid No. 3 of the pentagrid type first 1650 KC IF amplifier and blanker tube (V6) with diode CR6 acting as a steering diode to prevent positive pulses from reaching grid No. 3. Pulse modulation of the IF amplifier and blanker stage, momentarily interrupts the second IF signal (f3) during noise bursts with no apparent discontinuity of reception because of the relatively short pulse duration.

The 1650 KC IF signal (f3) now passes through the crystal lattice filter (FL1) to further reject the unwanted signals on either side of the desired signal and is again amplified by the second 1650 KC IF amplifier (V7A). At this stage the signal path is split, one path feeds the signal to the product detector (V9A), the other path feeds the signal to the AGC amplifier stage (V8A).

The product detector stage (V9A) heterodynes the 1650 KC signal (f3) with one of the two carrier oscillator frequencies (X3) to shift the signal frequency to the audio frequency range. The choice of carrier oscillator frequency (X3) determines whether the upper sideband or lower sideband group of frequencies are detected, since the crystal lattice filter response relative to the carrier frequency (X3) causes the unwanted sideband group of frequencies in each case to be rejected before reaching the product detector.

Normally, shifting the carrier oscillator frequency (X3) to obtain upper and lower sideband reception would also entail shifting the receiver dial setting to receive the opposite sideband of a signal frequency (f1) at the antenna input.

The Model SR-2000 system shifts the VFO frequency (X2) electrically with varicap CR13 when the 1651.550 KC carrier oscillator frequency is switched on for upper sideband reception (or transmission). Shifting the VFO frequency by an amount equal to the difference between the two

The 1650 KC IF signal (f3) fed to the AGC amplifier stage (V8A) is amplified and detected to supply the negative DC bias voltage (AGC) used



to control the gain of the receiver RF amplifier stage (V1) and first 1650 KC IF amplifier and blanker stage (V6). The signal level at which gain control takes effect is controlled by the AGC THRESHOLD control R46.

The detected audio frequency signal amplitude is controlled by the AF gain control, R4B, and amplified to speaker level by the first audio amplifier stage (V9B) and audio output stage (V15). Two audio output impedances are available for external use; 500 ohms at the phono jack at the rear apron or 3.2 ohms at the PHONES jack on the front panel.

### 6-3 TRANSMITTER SECTION

signal (f3) near 1650 KC. The double sideband signal (f3) is then amplified by the first 1650 KC IF amplifier and blanker stage (V6) with the blanker system disabled during the transmit function.

The unwanted sideband of the double sideband signal is attenuated by more than 50 DB as the signal passes through the crystal lattice filter (FL1) and a single sideband suppressed carrier signal results. The signal is blocked for the transmit function at the second 1650 KC IF amplifier stage (V7A) with bias voltage switching and the signal proceeds on to the first transmitter mixer stage (V2B).

At the first transmitter mixer stage the signal (f3) is heterodyned with the VFO carrier frequency (X2) to produce a signal frequency (f2) in the 6.0 to 6.5 MC frequency range. The signal frequency filters through the bandpass circuits of the 6.0 - 6.5 MC IF amplifier (V3A) and on to the second transmitter mixer (V11A) because in the transmit mode it is blocked at the second receiver mixer (V4A).

The intermediate frequency signal (f2) is again heterodyned with the heterodyne crystal oscillator frequency (X1) to produce the final transmitter output signal frequency (f1). The signal at output frequency (f1) is amplified by the transmitter driver stage (V18) and final amplifier stage (V16 and V17) to the desired power level.

The output signal is fed through the PI network in the final stage to transform its impedance to the antenna transmission line impedance (50 ohms nominal), and from the output of the PI network it is conducted through the antenna change-over relay (K1) to the common antenna connector.

### 6-4. RIT CONTROL.

Receiver Incremental Tuning is applied at the VFO stage since this stage is one of the three frequency determining elements in the system for both the transmit and receive function.

The varicap (CR13) in the VFO stage is a solid state device whose effective capacity varies with the DC bias potential applied across its terminals. By carefully regulating the bias supply potential with the zener diode (CR14) to obtain frequency stability, the VFO frequency may be varied a small amount with a potentiometer type control.

For normal operation as a transceiver system the CAL ADJ potentiometer (R90) is

the VFO frequency when transmitting, regardless of the RIT ON/OFF panel switch (S7) setting. This, of course, keeps the transmitter at the dial frequency and allows independent tuning of the receiver for a few kilocycles either side of the dial frequency when desired.

### 6-5. METERING.

The transceiver circuits are metered by three meters, one multipurpose meter in the Model SR-2000 unit and two meters in the Model P-2000 Power Supply unit. The two meters in the power supply unit monitor the final amplifier plate voltage (0-5 kilovolts DC) and the plate current (0-1 Ampere). The meters are connected into their respective circuits at a low potential point to avoid an operational shock hazard.

The multipurpose meter (M1) in the Model SR-2000 Transceiver unit has a three-position selector switch (S2) which provides for metering the system as follows:

In positions No. 1 and No. 2 the meter is connected into a bridge circuit with the meter amplifier tube (V6B) forming one arm of the bridge and the METER ZERO control R120 providing the meter zero adjustment arm for bridge balance.

When the transceiver is in the receive mode, the AGC voltage developed on signal is fed to the meter amplifier tube grid to unbalance the bridge and provide a log scale deflection for metering antenna signal levels. The meter is calibrated in the customary "S" units up to S-9 and in DB over S-9 with S-9 representing approximately 50 microvolts at the antenna terminals.

When the transceiver is in the transmit mode, switch position No. 1 connects the meter amplifier tube grid to the diode detector (CR16) circuit in the output of the final amplifier stage which rectifies a portion of the RF voltage developed across the antenna transmission line. (Diode CR17 in this circuit is a directional gate to keep the resistor R103 from loading the AGC buss.) The meter scale is not calibrated in volts RMS for this application since the tune-up procedure requires only that the operator know when he has obtained maximum RF voltage across the antenna terminals.

When the transceiver is in the transmit mode, switch position No. 2 connects the meter amplifier tube grid to the AALC control grid voltage buss. The meter then measures the AALC grid voltage developed when the final amplifier stage is driven into the grid current levels during SSB operation. No calibrated meter scale is required to monitor the AALC action since the meter deflection obtained is used only to indicate the presence and not the value of grid current on voice peaks.

In switch position No. 3 the meter circuit is active only in the transmit mode. The switch has now taken the meter out of the bridge circuit and connected it to the final amplifier screen voltage supply to meter the screen grid current in a conventional meter shunt type circuit. Resistor R118 in the transceiver unit and resistor R318 in the power supply unit form the shunt resistor complement with the metering taking place in the ground return side of the screen voltage supply. The meter scale carries a 0-25 milliamperes calibration to monitor the screen current drawn by the final amplifier tubes.

#### 6-6. AALC SYSTEM.

The Amplified Automatic Level Control circuits are in effect only in the transmit mode. To properly employ the peak power capability of the linear power amplifier, the stage must be driven up to and slightly into the control grid current region and yet not over-driven into unwanted distortion known as "flat-topping" the envelope.

AALC action goes into effect when transmitting single sideband signals at peak levels where control grid current begins to flow in the final amplifier tubes (V16 and V17). The grid current pulses generate a small signal voltage across the resistance in the bias supply BIAS ADJ. control (R114). The signal voltage is amplified to usable levels by the AALC amplifier tube (V3B) and then rectified by diodes CR4 and CR5 to become a varying DC bias voltage. The

bias voltage is then fed to the 6.0 - 6.5 MC IF amplifier stage (V3A) grid to reduce the stage gain as the AALC bias voltage increases. The control voltage is also fed to the meter amplifier tube (V8B) grid to actuate the meter as a warning device. (METER switch set at AALC.) The "AVC" action on the IF amplifier stage makes the transition from desired drive level to over-driven less critical and a smoother more powerful signal results.

#### 6-7. VOX CONTROL.

The Model SR-2000 Transceiver features automatic control of the receive-transmit change-over function for either SSB phone or CW code operation. For either mode of operation, automatic control is placed in operation when the OPERATION control is set at VOX. When operating SSB the change-over from receive to transmit starts with the first syllable spoken into the microphone. The audio signal (f5) is amplified by the first and second microphone amplifier stages (V19A and V19B) and the VOX amplifier stage (V20A). The amplified audio signal (f5), with its gain adjusted by the VOX control (R150), is then rectified with diodes CR21 and CR22. The positive DC control voltage developed is applied to the grid of the relay amplifier stage (V20B) to actuate the VOX control relay K2 placing the transmitter on the air.

The diode load resistors R154 and R155 (DELAY control) and the storage capacitor C210 determine the drop-out time or delay available to keep the transmitter active between the spoken words by sustaining the positive DC control voltage supplied to the relay tube grid.

The sound from the receiver's speaker that reaches the microphone would normally trigger the VOX relay when it wasn't wanted. To avoid this condition, a sample of the receiver audio (f4) is taken from the plate of the receiver audio output tube (V15) and rectified with diode CR15 to develop a negative DC anti-trip voltage.

This potential when adjusted for correct amplitude by the ANTI-TRIP control (R93) and fed to the grid of the relay tube (V20B) cancels the positive DC control voltage generated by the VOX diodes in the microphone amplifier stages. As a result the relay does not close when the microphone picks up sound from the speaker. When the operator adds his voice to the system, however, the positive DC control voltage developed by the VOX amplifier diodes increases and exceeds the established anti-trip potential and the relay closes as desired.

transmitter mixer stage (V11) and the sidetone amplifier stage (V7B). The keyed sidetone signal (X4) is fed into the second microphone amplifier stage (V19B) as well as the speaker, through the output transformer (T5), for sidetone monitoring purposes. The sidetone signal fed to the second microphone amplifier stage (V19B)

The VOX delay circuits, for CW operation, hold the transmitter in the active state between short breaks during CW keying but will release the control relay for receiver operation at the end of transmission. The delay period for CW control is adjusted, as for SSB, by the DELAY control (R155).

## SECTION VII SERVICE DATA

### WARNING

LETHAL VOLTAGES ARE PRESENT IN THE MODEL SR-2000 AND MODEL P-2000 UNITS. NEVER DEFEAT THE SAFETY INTERLOCKS OR WORK INSIDE THE CABINETS WITH PRIMARY POWER CONNECTED.

#### 7-1. COVER AND CHASSIS REMOVAL.

##### A. Top Cover Removal.

Loosen the four top-cover screws 1/4 turn only and lift cover clear. To replace the cabinet cover, line up the plastic nuts with the cabinet slots, seat the cover and tighten the cover screws 1/4 turn only. The plastic nuts can be damaged by over tightening.

##### B. Bottom Cover Removal.

Remove the four bottom cover screws located near the cabinet feet and remove the cover. Should the mounting screws be misplaced, use 6-32 x 3/16 inch replacement screws. Screws longer than 3/16 inch will bottom against the chassis before securing the bottom cover.

##### C. Chassis Removal.

Disconnect all rear chassis cables. Remove both top and bottom cabinet covers. Remove the four cabinet screws at the bottom of the cabinet, near the corners of the chassis, and carefully slide the chassis and panel assembly out the front of the cabinet.

#### 7-2. TUBE AND DIAL LAMP REPLACEMENT.

Access to all tubes, except the two final amplifier tubes, may be had by removing the top cabinet cover. Refer to paragraph 7-1A.

To service the dial lamps, the panel and chassis assembly must also be released from the cabinet and shifted forward far enough to expose the dial lamp assemblies. Remove the four cabinet screws at the bottom of the cabinet, in the corners of the chassis, to release the chassis assembly.

#### 7-3. FINAL AMPLIFIER TUBE REPLACEMENT.

Access to the final amplifier tubes may be had by removing the top cabinet cover (paragraph 7-1A) and removing the final amplifier compartment cover, held in place by five screws. Note that the rear edge of the compartment cover is clipped to the rear lip of the chassis structure. When replacing the cover, be sure to engage the clip properly and line up the interlock stud on the cover with the interlock plunger before replacing the mounting screws.

The power tubes may be lifted straight up out of their sockets after disengaging the plate clips and moving the parasitic suppressors to one side. The tube chimneys need not be disturbed. Do not disturb the neutralizing tab near the plate of tube V17.

### CAUTION

BE EXTREMELY CAREFUL WHEN REMOVING OR INSERTING THE TYPE 8122 POWER TUBES. CAREFULLY ALIGN THE BASE AND SOCKET KEYING AND INSERT THE TUBES GENTLY INTO THE SOCKETS. MAKE SURE THE TUBES ARE PROPERLY SEATED AND THE PLATE CAPS ARE RECONNECTED SECURELY.













made for a nominal charge. All Hallicrafters Authorized Service Centers display the sign shown at right. For the location of the one nearest you, consult your dealer or your local telephone directory.

Make no service shipments to the factory unless instructed to do so by letter, as the Hallicrafters Company will not accept responsibility for unauthorized shipments.

The Hallicrafters Company reserves the privilege of making revisions in current production of equipment, and assumes no obligation to incorporate such revisions in earlier models.



## SECTION VIII ALIGNMENT PROCEDURE

### WARNING

THE VOLTAGES USED IN THE  
MODEL SR-2000 AND MODEL P-2000  
ARE LETHAL. AVOID UNNECESSARY

realignment, but under no circumstances should realignment be attempted unless the malfunction has been analyzed and definitely traced to misalignment. Service work should only be performed

AND SCREEN POTENTIALS. SERIOUS RADIO FREQUENCY BURNS WILL RESULT IF THE PLATE OR ANTENNA OUTPUT ENDS OF THE FINAL AMPLIFIER PI NETWORK ARE CONTACTED WHILE TRANSMITTING.

### CAUTION

Never operate the Model SR-2000 Transceiver as a transmitter without a matched antenna or adequate dummy load termination. Illuminating lamps will not present a constant load impedance. The power amplifier tubes and PI network components can be damaged if the equipment is operated as a transmitter unloaded.

#### 8-1. GENERAL.

The Model SR-2000 Transceiver has been carefully aligned and tested at the factory and, with normal usage, should not require other than the usual attention given to electronic equipment. Service or replacement of a major component or circuit may require subsequent

the operation of the transceiver is fully understood and adequate test equipment is available. Refer to figures 13 and 14 for parts locations and to figures 15 and 16 for the location of all alignment adjustments.

#### 8-2. EQUIPMENT REQUIRED.

1. RF Signal Generator; Hewlett-Packard Model 606A, or an equivalent signal generator having up to one volt output at an impedance of 50 to 70 ohms and a frequency coverage to 30 MC.
2. A Vacuum Tube Voltmeter (VTVM); Hewlett-Packard Model 410B, or equivalent VTVM having an RF probe good to 40 MC.
3. A dummy load; 50 ohms non-reactive; rated at 1000 watts average power. Bird Wattmeter or equivalent.
4. AF Signal Generator. Hewlett-Packard Model 200 AB, or equivalent.
5. AF Voltmeter; Ballentine Model 300, or equivalent capable of measuring 1 to 5 millivolt level.

6. A general coverage receiver covering the frequency range from 3 to 30 MC with a 100 KC calibrator.

#### 8-3. BIAS ADJUSTMENT.

The final amplifier bias must be checked and if necessary set before any extensive checks are made on the transmitter portion of the Model SR-2000. Correctly setting the bias will insure normal operating plate dissipation for the final amplifier tubes. Adjust the BIAS ADJ. control

A. Set the OPERATION control at REC. and allow the transceiver time to reach operating temperature. Pre-set the following controls as indicated:

FUNCTION . . . . . TUNE

RF (transmitter group) . . . . At zero (Full CCW)

AF (transmitter group) . . . . At zero (Full CCW)

High Power/Low Power . . . SSB LOW POWER-CW-TUNE

B. Press the HIGH VOLTAGE ON button. The PLATE VOLTS meter indicates approximately 1700 VDC, and the red HIGH VOLTAGE warning indicator lights. If the high voltage does not come on, either the High Power/Low Power switch is not set at SSB LOW POWER-CW-TUNE or the delay relay in the power supply has not had sufficient time to close. Allow reasonable warm-up time before checking the bias setting or resetting the BIAS ADJ. control.

C. Set the OPERATION control at MOX. The PLATE CURRENT meter will indicate 0.2 ampere if the bias is correct. If adjustment is required set the BIAS ADJ. control (R114) for 0.2 amperes. Idle plate current is always set at 0.2 amperes with zero transmitter output. If the RF control is set full counterclockwise the RF output will be zero.

#### 8-4. "S" METER ZERO ADJUSTMENT.

The "S" meter will require a zero adjustment if it does not indicate between zero and S-1 in the receive mode with the RF control full CCW, or if it does not indicate zero RFO in the transmit mode with zero RF output. The adjustment procedure is as follows:

A. Remove the cabinet cover per paragraph 7-1A.

B. Place the transceiver in the transmit mode (FUNCTION control at TUNE, OPERATION control at MOX) and RF (transmitter group) control full CCW for zero output.

C. Set METER switch at RFO/S and adjust the METER ZERO control (R120) for the "S" meter zero or pointer rest position.

D. Set OPERATION control at REC and turn the RF (receiver group) control full CCW. The "S" meter should read between S-0 and S-1. If not, adjust the AGC THRESHOLD control (R46) for an "S" meter reading just above zero and less than

#### 8-5. CARRIER BALANCE.

The transceiver should be allowed to reach operating temperature before making the carrier balance adjustments. Remove the top cabinet cover per paragraph 7-1A to gain access to the carrier balance adjustments C192 and R132. See figure 15.

A. Tune-up the transceiver for SSB operation using an antenna load or dummy load for the transmitter.

B. Turn the AF control (transmitter group) fully counterclockwise to remove all audio from the modulator stage. With the FUNCTION switch set at either of the USB/LSB positions, close the microphone PTT switch and adjust the carrier balance controls (capacitor C192 and potentiometer R132) for minimum RFO voltage (METER switch at RFO/S).

C. The RFO meter on the transceiver will drop to zero near the true null. A more exacting balance may be obtained by connecting the Model HP-410B VTVM RF probe across the transceiver antenna output and observing the RFO voltage on the 1V RMS scale or by tuning a receiver, having an "S" meter, to the transmitted frequency. In either case, adjust the balance controls for minimum carrier level while switching the FUNCTION control back and forth between the two sideband positions to obtain a good null for both sidebands.

#### 8-6. CRYSTAL CALIBRATOR ADJUSTMENT.

##### CAUTION

DISABLE THE HIGH VOLTAGE WHEN PERFORMING THE FOLLOWING ADJUSTMENTS.

The crystal calibrator trimmer (C89) is used to warp the 100 KC crystal exactly to frequency by comparing its harmonic frequency with the signal transmitted by station WWV. Place the



transceiver in the receive mode. (OPERATION control at REC and FUNCTION control at USB or LSB). With a general coverage receiver, tune in station WWV and connect a wire lead between the Model SR-2000 antenna connector (antenna cable disconnected) and the antenna lead of the general coverage receiver. Set the OFF/CAL switch at CAL to activate the crystal calibrator, and carefully adjust the calibrator trimmer (C89) until the 100 KC oscillator harmonic is at zero beat with station WWV. This adjustment should be made only during periods of no modulation.

the final compartment cover must be in place to operate the safety interlock and also supply the RF shielding required.

#### CAUTION

DO NOT DEFEAT THE SAFETY INTERLOCK OR OPEN THE FINAL AMPLIFIER COMPARTMENT WITH THE HIGH VOLTAGE CIRCUITS ENERGIZED. THE NEUTRALIZING TAB

### 8-7. FINAL AMPLIFIER NEUTRALIZATION.

#### A. Neutralization Check.

Run the neutralization check with the transceiver in its cabinet (all hardware in place) and terminated in a dummy load (or antenna with low VSWR). Tune up the transceiver in the CW mode (Refer to paragraphs 5-4 and 5-5) at the following frequencies:

|         |           |           |
|---------|-----------|-----------|
| 3900 KC | 14,250 KC | 28,750 KC |
| 7250 KC | 21,300 KC |           |

Adjust the RF control (transmitter group) for 120 VRMS RF output. (Approximately equal to S-5 to S-7 on the RFO meter if an RF voltmeter is not available.) Carefully tune the PLATE control through resonance and observe the plate current dip (PLATE CURRENT meter) and RF output voltage maximum (RFO meter or VTVM). If both occur at the same setting or with an error of less than 5 VRMS out of the 120 VRMS reference level, the amplifier stage is neutralized.

#### B. Neutralizing the Model SR-2000.

#### NOTE

Neutralization adjustments should be made on the 15M Band at approximately 21.3 MC.

If the neutralization check outlined above indicates a need for adjustment, remove the top cabinet cover and the cover over the final amplifier compartment to gain access to the neutralizing tab located near tube V17. Refer to paragraph 7-3 for cover removal details.

Proceed as outlined for the neutralization check and adjust the gap between the neutralizing tab and the plate structure of tube V17, until the plate current dip and the RF output voltage maximum coincide at each of the frequencies shown in step A.

The top cabinet cover does not have to be in place for the neutralization check, however

The PRESELECTOR control calibration has an effect on the neutralization pattern. If only one or two check frequencies indicate a neutralization problem, a PRESELECTOR calibration correction may be indicated rather than a neutralizing tab adjustment. Refer to paragraph 8-12 for the mixer and driver stage alignment details.

### 8-8. VFO CALIBRATION ALIGNMENT.

#### A. Mechanical Index.

As each 100 KC mark on the main dial indexes with its fiducial, the zero mark on the knob dial should also index with its fiducial. If there is a fixed error between these dials, remove the tuning knob with a No. 8 Bristol set screw wrench to expose the knob dial bushing. Set the main dial to any 100 KC mark. Loosen the knob dial set screw with a No. 6 Bristol set screw wrench and rotate the knob dial with respect to the knob shaft until the zero mark lines up with its fiducial. Tighten the set screw. Replace the knob with approximately 1/32-inch clearance between the knob and panel.

If a service operation involved disconnecting the VFO gang from the gear drive, re-index the gang as follows:

1. Rotate the tuning knob clockwise to the mechanical stop.
2. Loosen the two No. 6 Bristol set screws holding the drive gear to the VFO gang shaft.
3. Rotate the gang capacitor to fully mesh the capacitor and tighten one of the set screws.
4. Rotate the knob exactly 30 KC in the counterclockwise direction.
5. Loosen the set screw again and without disturbing the VFO gang setting, turn the tuning knob clockwise to the knob dial zero. (The main dial will now also be indexed at the high frequency end of the dial.)

6. Tighten both set screws securely and replace the VFO compartment cover, before recalibrating the VFO electrically.

**B. VFO Calibration (Trimmer Adjustment Only).**

A trimmer capacity correction is indicated if the dial calibration check across the dial, at the 100 KC check points, consistently falls to one side of the fiducial and cannot be corrected by the CAL ADJ. control. The main dial and knob dial must be correctly indexed as outlined in paragraph 8-8A and the calibration check should be run with the FUNCTION control set at LSB. Recalibrate the VFO as follows:

1. Remove the bottom cabinet cover per paragraph 7-1B to gain access to the adjustment screw of trimmer C122. See figure 16 for location of the trimmer.

2. Set the BAND SELECTOR at 3.5, OPERATION at REC., FUNCTION at LSB, PRE-SELECTOR at 80M segment, OFF/CAL. at CAL, NOISE BLANKER at OFF, and RIT CONTROL at OFF.

3. Center the CAL. ADJ. control. The dot on the knob should fall at top dead center.

4. Set the dial for exactly 3500 KC. (Red 500 on main dial and black zero on knob dial.) Carefully adjust trimmer C122 for zero beat.

5. Check calibration across the dial at the 100 KC check points. If the frequency error is less than approximately 2000 CPS, the calibration is within acceptable limits. If the error increases and exceeds 2000 CPS at the high frequency end of the dial, the VFO will require a coil adjustment in addition to the trimmer adjustment.

**C. VFO Calibration (Trimmer and Coil Adjustment).**

If the dial error progressively increased in the same direction with the high frequency end of the dial running out more than 2000 CPS, both coil L21 and trimmer C122 will require adjustment. Recalibrate the VFO as follows:

1. Set the transceiver controls per steps 2 and 3 in paragraph 8-8B.

2. Set tuning dial for exactly 4000 KC (VFO = 4851.450 KC) and adjust coil L21 for

3. Set tuning dial for exactly 3500 KC (VFO = 4851.450 KC) and adjust trimmer C122 for zero beat.

4. Repeat steps 2 and 3 until both the 3500 KC and 4000 KC settings are exactly on frequency.

5. Check the calibration across the dial at the 100 KC points. If the frequency error is less than 2000 CPS, the calibration is within acceptable limits. If the error is in excess of 2000 CPS at any of the mid-points, with the end limits at zero error, the VFO capacitor C120 should be "knifed". This operation should not be attempted by other than qualified personnel thoroughly familiar with the technique.

6. Set the dial at 3800 KC and tune to exact zero beat with the marker crystal. Switch the FUNCTION control from LSB to USB. If the frequency shifts more than 15 CPS, the VFO corrector trimmer C127 must be adjusted per paragraph 8-8D.

**D. VFO Corrector Adjustment.**

The VFO corrector trimmer, C127, shifts the VFO frequency approximately 3000 CPS to correct for the difference in frequency between the upper and lower sideband BFO/carrier crystal frequencies. The trimmer is switched into the VFO circuit in the upper sideband mode. To check the corrector trimmer setting, tune the transceiver, in the LSB mode, to zero beat with the 3800 KC marker frequency. Switch to USB mode. There should be less than a 15 CPS change in frequency. If the change is more than 15 CPS, carefully adjust trimmer C127 until the differences between USB and LSB is less than 15 CPS.

**8-9. IF ALIGNMENT (1650 KC).**

This operation consists of adjusting transformers T3 and T6 only. Do not adjust the filter terminations (L15 and L16) at this time. Refer to paragraph 8-10 for the crystal filter alignment.

The signal source for alignment may be obtained from an RF signal generator (at 1650 KC) or the transceiver can be tuned to the 100 KC crystal calibrator signal in the 20M band. (Any 100 KC marker.) If an RF signal generator is used, connect its output to pin 2 of the second receiver mixer tube (V4A). Test point C. (See figures 16 and 22.)

Set the OPERATION control at REC., FUNCTION control at either USB or LSB, NOISE BLANKER at OFF, and METER switch at REQ/S

(no modulation) for about S-7 on the "S" meter and tune either the transceiver or signal generator (whichever method is used) for maximum "S" meter deflection.

With the signal now centered in the crystal filter pass band, adjust transformer T3 (top and bottom cores) and transformer T6 (single core) for maximum "S" meter deflection. Maintain the S-7 level to avoid overloading effects. Do not run the cores through the individual transformer windings (T3) so that either core rests between the windings and upsets the design coupling.

#### 8-10. CRYSTAL FILTER ALIGNMENT.

A. The filter response should be checked as follows to determine whether or not the filter termination coils L15 and L16 need adjustment.

2. Connect the AF signal generator to the microphone input and monitor the input voltage with the Ballantine voltmeter. Set the AF signal generator at 1000 CPS and adjust the generator level for 50 volts RMS RF output with the AF control (transmitter group) set near maximum (approximately 9).

3. Set the FUNCTION control at LSB.

4. Maintain constant AF signal generator input voltage and change the frequency of the generator above and below 1000 CPS, recording the frequency at which the transmitter RF output voltage drops to 25 volts RMS (-6 db). Also note the maximum and minimum RF voltage excursions between these two frequencies. A normal 6 db frequency response will run 500 CPS or less at the low end, 2400 CPS or more at the high end, and less than 2 db variation (10 volts RMS change) in the pass band.

5. Repeat the check made in step 4 with the FUNCTION control set at USB.

B. If the check made in paragraph 6-10A above indicates a need for filter termination adjustment, one of two methods may be employed.

1. The test set up above may be used to evaluate the pass band ripple and the terminating coils, L15 and L16, then adjusted for minimum in band ripple while maintaining maximum RF output. If the terminations were disturbed and a major increase in RF output is obtained with adjustment, reset the AF signal generator level to maintain the 50 volt RMS reference at 1000 CPS.

2. The pass band ripple may also be observed by operating the transceiver in the receive mode. Tune in the 100 KC calibrator crystal at 3800 KC and adjust the RF control (receiver group) for an S-7 "S" meter reading. Tune through the filter pass band and adjust the filter termination coils (L15 and L16) for minimum in band ripple while maintaining maximum "S" meter deflection. If the terminations were disturbed and a major increase in "S" meter reading results, readjust the RF control to maintain the S-7 reference level.

#### 8-11. IF ALIGNMENT (6.0 - 6.5 MC).

This operation consists of adjusting transformers T1 and T2 as follows:

A. Remove the heterodyne oscillator tube

B. Place transceiver in transmit mode with the high voltage disabled. Set OPERATION control at MOX, FUNCTION control at TUNE, BAND SELECTOR at 3.5, and adjust RF control (transmitter group) for 1 VRMS at VTVM at the peak of the response.

C. Tune the VFO across the band and note the VTVM readings. If the response is essentially flat, with no more than 2 db to 3 db roll off at each end of the band, the alignment is OK.

D. If adjustment is required, adjust transformers T1 and T2 (top and bottom cores) for maximum grid voltage as well as a flat response across the band. Avoid a tilted response or a response that rolls off beyond the 2 db to 3 db limit at the edges of the VFO dial settings. Do not sacrifice gain by stagger tuning the transformers, to obtain a constant grid voltage across the band, or run a core through the winding which would upset the design coupling. A properly aligned amplifier will have equal drop in the response at each end of the band but will not exceed 3 db (70% transmission).

E. Replace the heterodyne oscillator tube V12 and disconnect the VTVM.

#### 8-12. ALIGNMENT OF TRANSMITTER MIXER/DRIVER AND RECEIVER ANTENNA STAGES.

The final amplifier bias adjustment must be properly set per paragraph 6-3 before extensive operation of the transmitter is attempted. It is assumed that the signal generating stages of the Model SR-2000 are functioning properly. Use the

internally generated signal of the transceiver to align the transmitter mixer and driver stages and the RF signal generator to align the receiver antenna stage as follows:

A. Connect the 50-ohm dummy load and VTVM RF probe to the ANTENNA jack (J1). Connect the RF signal generator termination to test point A. (See figures 16 and 22.) Connect the signal lead to the receiver antenna coaxial cable termination at switch wafer SID (4th wafer from front) and the ground lead to the first shield plate. Connect the AF voltmeter across the 500 ohm audio output transformer winding at the RCVR AUDIO jack (J3) located at the rear chassis apron. This arrangement will now permit transmitter and receiver operation without connecting and disconnecting test equipment repeatedly during alignment.

B. If the trimmer capacitors on the three section gang (C7) have not been previously aligned at the factory, preset trimmers C7D and C7E approximately one-half turn from tight.

C. Set the RF control (transmitter group) at zero, OPERATION control at MOX, FUNCTION control at TUNE, and HIGH VOLTAGE ON. (Set plate voltage selector switch in SSB LOW POWER-CW-TUNE position.)

D. Set the BAND SELECTOR control at 28, the VFO at 28000 KC, the PRESELECTOR control at the left edge of the 15-10M segment, and the final amplifier LOAD control at 5. Advance the RF control and adjust the final amplifier PLATE control for resonance. Maintain an output signal

E. Set the OPERATION control at REC., RF and AF controls (receiver group) at maximum (10), RIT control at OFF, and NOISE BLANKER at OFF. Do not change the VFO setting and PRESELECTOR control setting set up in step D.

from developing AVC voltage (no "S" meter indication). Adjust coil L5 for maximum audio output without developing AVC voltage.

F. Set the BAND SELECTOR control at 29.5, the VFO at 30,000 KC, the final amplifier LOAD control at 5-1/2, and the OPERATION control at MOX. Advance the RF control (transmitter group) and tune the final amplifier PLATE and PRESELECTOR controls to resonance. Maintain an output signal level of 50 volts RMS at the VTVM with the RF control and adjust trimmer C7E for maximum output at the dummy load. Reduce

the transmitter output to zero with the RF control.

G. Set the OPERATION control at REC. and without changing the VFO or PRESELECTOR control setting, tune the RF signal generator to 30,000 KC and obtain the 1000 CPS beat note. Control the signal generator output and adjust trimmer C7D for maximum audio output at the AF voltmeter without developing AVC voltage (No "S" meter indication).

H. Repeat steps C, D and E to peak out the coil adjustments for the 10 meter band.

I. Set the BAND SELECTOR at 3.5, the VFO at 3500 KC and the PRESELECTOR at the left edge of the 80M segment. Set the final amplifier LOAD control at 3. Set the OPERATION control at MOX, advance the RF control (transmitter group) and adjust the final PLATE control for resonance. Maintain the 50 volt RMS output signal level with the RF control and adjust coils L11 and L34 for maximum output at the dummy load. Reduce the output to zero with the RF control.

J. Set the OPERATION control at REC. and without changing the VFO or PRESELECTOR control settings, tune the RF signal generator to 3500 KC and obtain the 1000 CPS beat note. Control the signal generator output and adjust coil L4 for maximum audio output at the AF voltmeter without developing AVC voltage.

K. Repeat the procedure given in steps I and J for the 40M, 20M, and 15M bands. Refer to the RF ALIGNMENT CHART for specific control settings and adjustments for each of the bands. For each band set the PRESELECTOR control

KC. Tune the RF signal generator at 7000 KC for the 1000 CPS beat note and tune the PRESELECTOR control for maximum AF voltage. Reset the RF signal generator frequency to 6.5 MC. Increase the signal generator output by

C26 for minimum audio output. If the core adjustment in trap coil L12 is shifted considerably to achieve rejection, the setting of coil L10 may be affected. Repeat the alignment procedure shown in step K for coils L10, L33, and L3 in the 40M band to insure correct alignment.

M. Set the BAND SELECTOR at 7.0, the OPERATION control at REC, and the VFO at 7250 KC. Tune the RF signal generator at 7250 KC for a 1000 CPS beat note and tune the PRESELECTOR control for maximum audio output. Use a low level output from the signal generator (approx-

mately one microvolt) so that no AGC voltage is developed. Reset the signal generator frequency to 6250 KC and increase its output by approximately

60 DB. Adjust its frequency for a 1000 CPS beat note. Now adjust the 6.25 MC trap coil (L39) for minimum audio output.

RF ALIGNMENT CHART (MIXER-DRIVER STAGES)

| Band Selector | Transceiver VFO Setting | Final Ampl. Load Setting | Adjust For Maximum RF Output In Transmit |
|---------------|-------------------------|--------------------------|--|
| 3.6           | 3500 KC                 | 3                        | L11 L34                                  |
| 7.0           | 7000 KC                 | 3-1/4                    | L10 L33                                  |
| 14            | 14000 KC                | 5                        | L9 L32                                   |
| 21            | 21000 KC                | 4-1/4                    | L8 L31                                   |
| 28            | 28000 KC                | 5                        | L7 L30                                   |
| 29.5          | 30000 KC                | 5-1/2                    | C7E —                                    |

RF ALIGNMENT CHART (RECEIVER ANTENNA STAGE)

| Band Selector | Transceiver VFO Setting | RF Signal Generator | Adjust For Maximum AF Voltage In Receive |
|---------------|-------------------------|---------------------|--|
| 3.5           | 3500 KC                 | 3500 KC             | L4                                       |
| 7.0           | 7000 KC                 | 7000 KC             | L3                                       |
| 14            | 14000 KC                | 14000 KC            | L2                                       |
| 21            | 21000 KC                | 21000 KC            | L1                                       |
| 28            | 28000 KC                | 28000 KC            | L5                                       |
| 29.5          | 30000 KC                | 30000 KC            | C7D                                      |

8-13. BFO/CARRIER OSCILLATOR ALIGNMENT.

This operation consists of adjusting the core of carrier oscillator transformer T4 and setting the crystal warping trimmers, C136 and C139, to place the oscillator exactly on frequency.

A. Set the core of transformer T4 before setting the oscillators to frequency. Connect the VTVM RF probe at test point D (pin 8 of the product detector tube V9A) (see figures 16 and 22). Set the OPERATION control at REC and check the injection voltage at test point D for both LSB and USB settings of the FUNCTION control. If the injection voltages measured are approximately 2.5 volts RMS and the crystal oscillators start without hesitation in either sideband position, no adjustment should be necessary. If adjustment is required, set the core of transformer T4 for approximately 80 percent of the peak RMS voltage obtained, on the high frequency side of the peak output setting of the core. That is, turn the core counterclockwise from the peak output voltage setting. Switch the FUNCTION control between USB and LSB to check the starting capabilities of the oscillators. If the core is set as described, both oscillators will start without hesitation.

B. The BFO/carrier oscillator frequencies have been accurately set at the factory to 1651.550 KC (USB) and 1648.550 KC (LSB) with the aid of an electronic counter connected to test point D. If an electronic counter is available, set the OPERATION control at REC and the FUNCTION control at LSB. Set trimmer C136 for

exactly 1648.550 KC. Set FUNCTION control at USB and set trimmer C139 for exactly 1651.550 KC. Following the frequency adjustment, recheck the VFO corrector adjustment per paragraph 8-8D.

Without the electronic counter it would be well to leave trimmers C136 and C139 untouched. If it is necessary to replace crystals Y10 and Y11 for any reason, make the VFO corrector adjustment per paragraph 8-8D.

8-14. HETERODYNE CRYSTAL OSCILLATOR ALIGNMENT.

The heterodyne crystal oscillator injection may be checked in the following manner to determine whether or not the core of coil L19 requires adjustment. Connect the VTVM RF probe to test point B (pin 2 of the second transmitter mixer tube V11A). See figures 16 and 22. Disable the VFO injection by removing VFO tube V13. Set the OPERATION control at MOX (HIGH VOLTAGE disabled) and the FUNCTION control at TUNE. Record the RMS injection voltage for all settings of the BAND SELECTOR control. Injection is normal if the injection voltage measures 2.0 to 2.5 VRMS on 80M and 40M, 1.0 to 1.2 VRMS on 20M and 15M, and 0.75 to 1.0 VRMS on the 10M segments.

If adjustment is required, set the core of coil L19 to obtain 2 volts RMS or more on 80M and 40M, and 0.75 volts or more on the 10M segments. The 15M and 20M bands will automatically fall into line around the 1 volt RMS level.



unit over and set it down bottom side up. When handling the power supply, keep in mind that it weighs around 60 pounds. Remove the four shipping platform mounting screws (No. 10 x 3/4-inch) and lift the platform clear. Mount the four cabinet feet with No. 10 x 1/2-inch screws and flat washers supplied. The cabinet feet are fastened to the cabinet and chassis in the same mounting holes that were used for attaching the shipping platform. Be sure to install the flat washers between the cabinet feet and the heads of the screws. **DO NOT USE THE NO. 10 x 3/4-INCH SHIPPING PLATFORM HARDWARE TO FASTEN THE CABINET FEET.** Set the power supply back on its feet.

### 9-3. POWER SOURCE.

The Model P-2000 Power Supply for the Model SR-2000 Transceiver is designed to operate from either 115-volt, 2-wire, or 230-volt, 3-wire 60 cycle single phase service. Operation from 230-volt, 2-wire service, available in many countries, will necessitate the use of an additional

terminal strip may be obtained by contacting the Hallicrafters International Division, 4401 W. 5th Avenue, Chicago, Illinois, 60624.

Under peak power input conditions, the equipment may draw in excess of 10 amperes from 230-volt service or in excess of 20 amperes from 115-volt service. This power requirement will generally exceed the capabilities of most home 115-volt wall outlets. If the station is to operate from a 115-volt outlet, a separate circuit rated at 30 amperes should be provided.

### 9-4 PRIMARY POWER CONNECTIONS.

The power supply is shipped from the factory with the line cord wired for 115-volt service outlets. The junction box wiring for the line cord may be exposed for inspection by removing the back cover of the power supply. The cover is held in place with two screws.

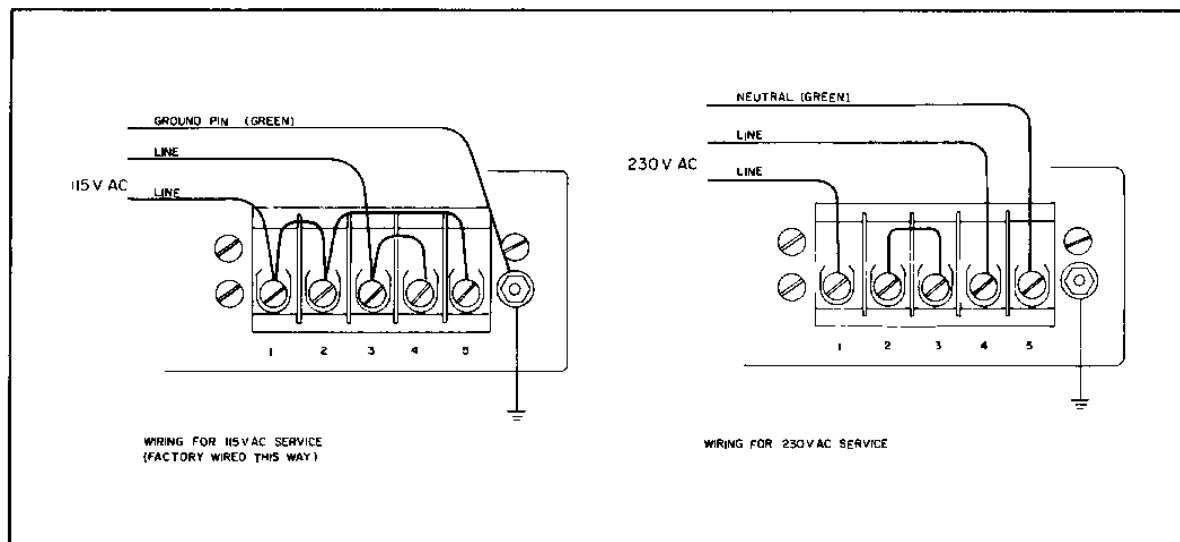
Note that the line cord wiring for 115-volt service requires that one side of the line shall be connected to terminals 1, 2, and 5 and the other side of the line shall be connected to terminals 3 and 4. The ground pin of the line cord plug is wired to the ground bolt on the chassis (green lead).

If the equipment is to operate from a 230-volt, 3-wire 60 cycle single phase service outlet, make the following changes in the power supply terminal strip wiring:

leads) and all jumpers connected to the terminal strip and to the chassis ground bolt. Retain the jumper wires for possible re-use.

B. Connect terminal 2 to terminal 3 using the short jumper wire just removed in step A.

C. Connect the green line cord lead to terminal 5. This is the neutral wire of the three wire system.



156-007366

Figure 18. Model P-2000 Power Supply, Primary Power Connections.

D. Connect one of the two remaining line cord leads (black or white) to terminal 1 and the other to terminal 4. This completes the terminal strip wiring for 230-volt operation.

E. Disconnect and remove the line cord plug supplied for 115-volt service. A 230-volt service plug has been supplied with the power supply for this purpose. Install and wire the 230-volt service plug connecting the green neutral lead to the neutral pin and the black and white leads to each of the blade contacts. If the 230-volt service outlet does not match the style plug supplied, obtain a matching plug and wire as required. Make sure the green line cord lead is connected to the neutral terminal of the service outlet.

#### CAUTION

THE VOLTAGES USED IN THE MODEL P-2000 POWER SUPPLY ARE LETHAL. EXERCISE EXTREME CARE IF SERVICE WORK MUST BE CARRIED ON WITH LIVE, EXPOSED CIRCUITS.

#### 9-5. INSTALLATION AND OPERATION.

The Model P-2000 Power Supply is specifically designed for use with the Model SR-2000 Transceiver. Refer to Sections III and V of this manual for specific installation and operating instructions that apply to the power supply unit.

#### 9-6. CHASSIS REMOVAL

A. Disconnect the power supply from the service outlet and from the Model SR-2000 Transceiver.

B. Remove the two rear cover mounting screws and take off the rear cabinet cover.

C. Turn the power supply over and set it down on the bench bottom side up. When handling the power supply, keep in mind that it weighs around 60 pounds. Remove the four cabinet feet only. Note that three chassis screws still remain to support the chassis.

D. Turn the power supply over and set it right side up on the bench. By sliding the unit to the edge of the bench, remove the remaining three screws one at a time. Make sure the center of gravity of the power supply stays over the work bench while performing this operation.

E. Carefully slide the chassis out through the front opening of the cabinet.

F. Reassemble the unit in the reverse order when re-installing the chassis. Be sure to anchor the chassis securely to the cabinet before turning the unit over to attach the mounting feet.

#### 9-7. METER LAMP REPLACEMENT.

Follow the procedure for chassis removal outlined in paragraph 9-6, and slide the chassis out of the cabinet just far enough to gain access to the meter lamp. Unclip the lamp socket assembly and replace the lamp with a number 1892, 14-volt miniature bayonet base lamp.

#### PARTS LIST

| Schematic Symbol                      | Description                               | Hallcrafters Part Number | Schematic Symbol    | Description                               | Hallcrafters Part Number |
|---------------------------------------|---|--------------------------|---------------------|---|--------------------------|
|                                       | Baffle, Speaker                           | 012-000292               | K304                | Relay, Overload                           | 021-000839               |
|                                       | Bracket, Meter Mounting                   | 067-013055               | R301 thru R308      | Resistor, 100K Ohm, 10%, 2 Watt, Carbon   | 451-452104               |
|                                       | Cabinet                                   | 066-004577               | R309, 310           | Resistor, 25K Ohm, 5%, 50 Watt, Wirewound | 024-100846               |
|                                       | Cable, 12-Conductor                       | 087-008910               | R311                | Resistor, 15 Ohm, 5%, 10 Watt, Wirewound  | 448-031150               |
|                                       | Cable, Ground                             | 087-009308               | R312, 314           | Resistor, 2.7 Megohm, 10%, 2 Watt, Carbon | 451-652275               |
|                                       | Cable, Power                              | 087-008909               | R315                | Resistor, 1500 Ohm, 10%, 2 Watt, Carbon   | 451-652152               |
| C301, 302, 303, 304, 305              | Capacitor, 0.01 $\mu$ F, 1400V, Ceramic   | 047-200752               | R316                | Resistor, 12K Ohm, 5%, 25 Watt, Wirewound | 024-001593               |
| C306 thru C313                        | Capacitor, 90 $\mu$ F, 500V, Electrolytic | 045-001337               | R317, 318           | Resistor, 4 Ohm, 10%, 5 Watt, Wirewound   | 445-012040               |
| C314                                  | Capacitor, 8 $\mu$ F, 500V, Electrolytic  | 045-100491               | R319                | Resistor, 1 Ohm, 10%, 5 Watt, Wirewound   | 445-012010               |
| C315, 316, 317                        | Capacitor, 20 $\mu$ F, 250V, Electrolytic | 045-000008               | R320                | Resistor, 1000 Ohm, 10%, 1/2 Watt, Carbon | 451-252102               |
| C318A, B                              | 2 x 30 $\mu$ F, 350V, Electrolytic        | 045-000902               | R321                | Resistor, 520 Ohm, 10%, 1/2 Watt, Carbon  | 451-252822               |
| L301                                  | Choke, Screen                             | 050-002327               | R322                | Resistor, 100 Ohm, 10%, 1/2 Watt, Carbon  | 451-252101               |
| L302                                  | Choke, Filter                             | 055-000595               | R323, 325, 326, 327 | Resistor, 12K Ohm, 10%, 2 Watt, Carbon    | 451-652123               |
| L303                                  | Choke, Filter                             | 055-000585               | R324                | Resistor, 33K Ohm, 10%, 1 Watt, Carbon    | 451-452333               |
| P303                                  | Connector, Socket                         | 010-002391               | R328                | Resistor, 47K Ohm, 10%, 1/2 Watt, Carbon  | 451-252473               |
| CR301, 302, CR303, 304, 305, 306, 308 | Diode, 5KV, 1 Ampere                      | 019-003797               |                     | Shield, Pilot Lamp                        | 086-100037               |
| CR307                                 | Diode, Type 1N3487                        | 027-000314               |                     | Socket, Pilot Light                       | 086-000628               |
|                                       | Diode, Type 1N3194                        | 019-002769               |                     | Socket, Tube, 9-Pin                       | 006-000947               |
|                                       | Escutcheon, Front Panel                   | 007-000939               |                     | Socket, High Voltage                      | 006-001208               |
|                                       | Foot, Rubber (4)                          | 016-201072               |                     | Speaker                                   | 065-000386               |
| F301, 302, F303                       | Fuse, 12 Ampere, 3AB                      | 038-100497               | SP301               | Switch, Button (Black)                    | 060-002836-002           |
|                                       | Fuse, 3 Ampere                            | 038-100301               | S302                | Switch, Button (Red)                      | 060-002836-001           |
|                                       | Fuseholder (F301, 302, 303)               | 006-008845               | S302                | Switch, Toggle Ht.-Lo Power               | 060-100285-003           |
|                                       | Grill, Speaker                            | 007-008932               | T1                  | Transformer, Plate                        | 050-002328               |
| DS301                                 | Lamp, HV Indicator                        | 039-000800               | T2                  | Transformer, Power                        | 052-001007               |
| DS302                                 | Lamp, Pilot, No. 1892                     | 039-008797               |                     |   |                          |
| M302                                  | Meter, Plate Current                      | 082-000685               |                     |   |                          |
| M301                                  | Meter, Plate Voltage                      | 082-000684               |                     |   |                          |
|                                       | Panel, Front                              | 066-001693               |                     |   |                          |
|                                       | Panel, Rear                               | 066-001703               |                     |   |                          |
| P301                                  | Plug, 117 VAC                             | 010-002973               |                     |   |                          |
|                                       | Plug, 220 VAC                             | 010-002974               |                     |   |                          |
| K301                                  | Relay, Primary Power                      | 021-000837               |                     |   |                          |
| K302                                  | Relay, Hi-Lo Power                        | 021-000841               |                     |   |                          |
| K303                                  | Relay, Time Delay                         | 021-000838               |                     |   |                          |

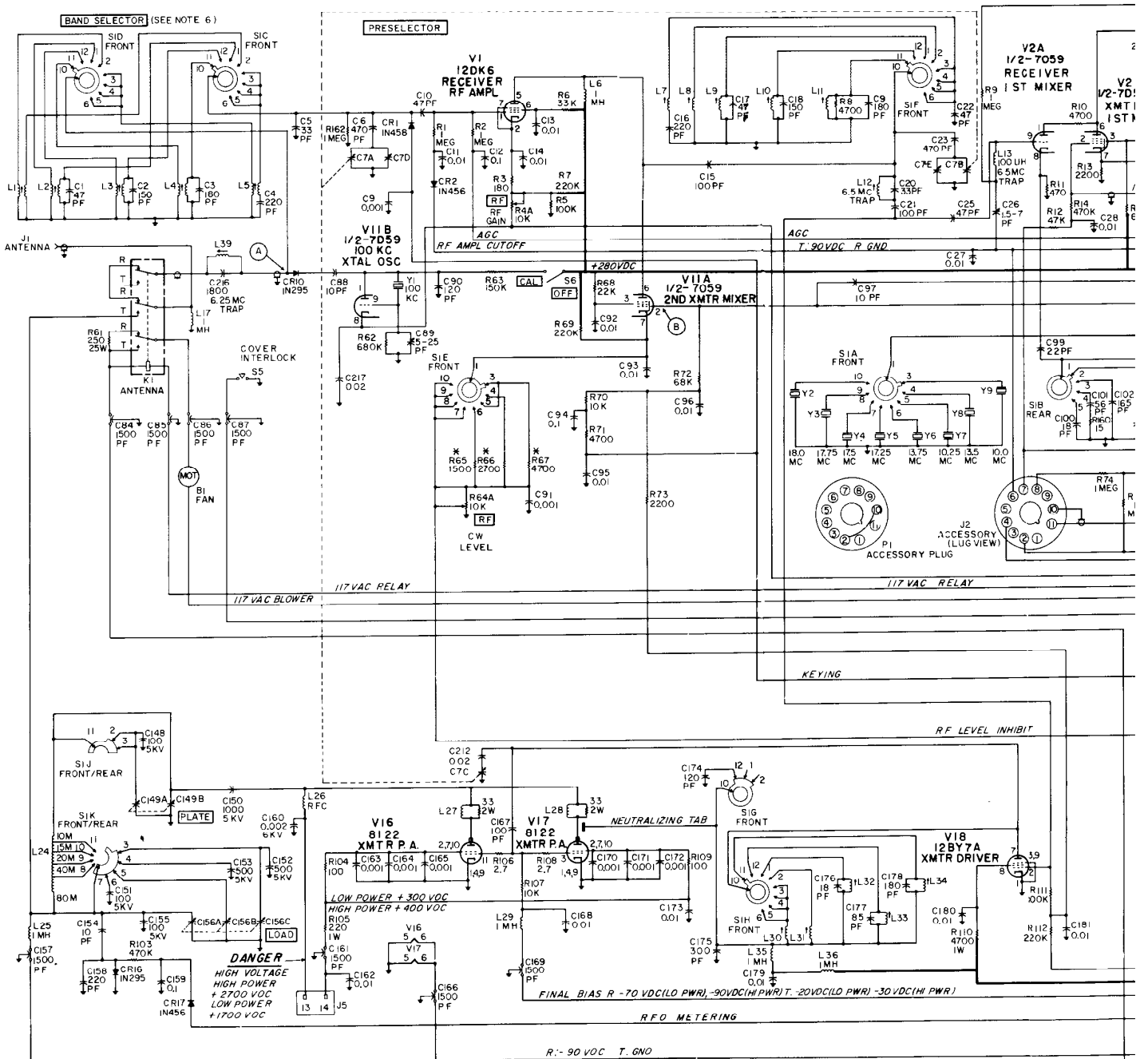




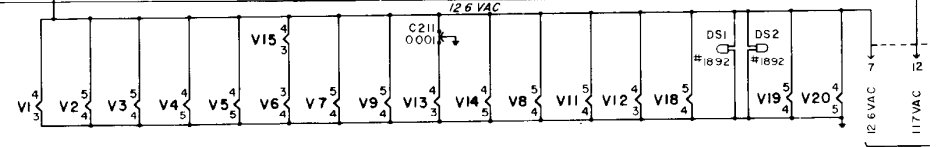


LIST

| Schematic Symbol                     | Description                             | Hallcrafters Part Number | Schematic Symbol      | Description  | Hallcrafters Part Number |
|--------------------------------------|---|--------------------------|-----------------------|--|--------------------------|
| ELECTRON TUBES, DIODES, AND CRYSTALS |   |                          | MISCELLANEOUS (CONT.) |  |                          |
| CR2,3,4, 5,9,15,17, 21,22,23         | Diode, Type 1N456                       | 019-002964               |                       | Cover, Cabinet Top                                   | 068-004578               |
| CR6,7, 10,11,12, 16,18               | Diode, Type 1N295                       | 019-301980               | FL1                   | Cover, Gang VFO                                      | 068-004434               |
| CR13                                 | Variacp, Type V100                      | 048-000404               |                       | Cover, RF Shield                                     | 068-004584               |
| CR14                                 | Diode, 12V Zener, Type 1N963A           | 019-003855               |                       | Escutcheon   | 007-000903               |
| CR19,20                              | Diode, Type 1N8                         | 019-002941               |                       | Filter, Crystal                                      | 049-000324               |
| Y1                                   | Crystal, 100,000 KC                     | 018-002712               |                       | Foot, Rubber (4)                                     | 016-201072               |
| Y2                                   | Crystal, 18.00 MC                       | 019-003789-008           |                       | Front Panel Assembly                                 | 150-008940               |
| Y3                                   | Crystal, 17.75 MC                       | 019-003789-007           |                       | Gear, Dial   | 026-001173               |
| Y4                                   | Crystal, 17.5 MC                        | 019-003789-008           |                       | Gear, Idler  | 026-001170               |
| Y5                                   | Crystal, 17.25 MC                       | 019-003789-005           |                       | Gear, Idler Spur                                     | 026-001002               |
| Y6                                   | Crystal, 13.75 MC                       | 019-003789-004           |                       | Gear, Pinion   | 026-001171               |
| Y7                                   | Crystal, 10.25 MC                       | 019-003789-003           |                       | Gear, Pinion Drive                                   | 028-001188               |
| Y8                                   | Crystal, 13.5 MC                        | 019-003789-002           |                       | Gear, Spur   | 026-001089               |
| Y9                                   | Crystal, 10 MC                          | 019-003789-001           |                       | Gear, Spur, Dial Scale                               | 026-001174               |
| Y11                                  | Crystal, 1651.550 KC                    | 019-003681-002           |                       | Gear, Spur (Fixed)                                   | 028-001088               |
| Y10                                  | Crystal, 1648.550 KC                    | 019-003681-001           |                       | Gear, Spur, Pinion Shaft                             | 028-001172               |
| CONNECTORS                           |   |                          |                       | Handle, Knob   | 030-000793               |
| J1                                   | Jack, Antenna Connector                 | 010-100056               |                       | Housing, Air Box                                     | 068-004582               |
| J2                                   | Socket, 11-Pin, Accessory               | 006-200707               |                       | Indicator, Light                                     | 068-000687               |
| J3                                   | Jack, Phone, 500 Ohm                    | 036-100041               |                       | Indicator, PRE-SELECTOR                              | 082-000578-001           |
| J4,7                                 | Jack, Key and PHONES                    | 038-200210               |                       | Knob, CAL-ADJ and CAL-OFF                            | 015-001755-002           |
| J5                                   | Connector, High Voltage                 | 035-000095               |                       | Knob, LOAD Tuning                                    | 015-001825               |
| J6                                   | Connector, Power 12-Pin Jones Plug      | 010-002588               |                       | Knob, Main Tuning                                    | 015-001617               |
| J8                                   | Connector, MIC, W/hardware              | 010-101569               |                       | Knob, NOISE BLANKER and METER AALC                   | 015-001775               |
| P1                                   | Plug, 11-Pin, Accessory Plug            | 010-002932               |                       | Knob, OPERATION, FUNCTION, and BAND SELECTOR         | 015-001780               |
| SWITCHES                             |   |                          |                       | Knob, FLATE Tuning                                   | 015-001909               |
| S1A,E                                | Wafer, HF and Heterodyne Osc            | 082-000268               | DS1,2                 | Knob, PRE-SELECTOR                                   | 015-001752-001           |
| S1B                                  | Wafer, Osc Plate                        | 082-000263               | DS3,4                 | Knob, RF Gain, CW-Tune Level, and RIT CONTROL ON/OFF | 015-001740-001           |
| S1C,D,F,H                            | Wafer, HF and Driver                    | 082-000265               | M1                    | Knob, RIT CONTROL, Mic Gain, and Audio Gain          | 015-001773               |
| S1G                                  | Wafer, PA Neut                          | 082-000264               |                       | Lamp, Philo, No 1892                                 | 039-000797               |
| S1J,K                                | Wafer, PA                               | 080-002842               |                       | Lamp, Neon, NE-2                                     | 039-100012               |
| S2                                   | Rotary, METLR                           | 080-002818               |                       | Medallion  | 007-000650               |
| S3                                   | Rotary, FUNCTION                        | 080-002798               |                       | Meter (with hardware)                                | 082-000883               |
| S4                                   | Rotary, OPERATION (includes S4B, Power) | 080-002795               | K1                    | Plate, Gear  | 063-008830               |
| S5                                   | Pushbutton, Cover Interlock             | 060-002838               | K2                    | Plate, Front VFO                                     | 063-008821               |
| S6                                   | Rotary, CAL                             | 080-002794               |                       | Plate, Idler Gear                                    | 063-008827               |
| MISCELLANEOUS                        |   |                          |                       | Plate, Left Chassis                                  | 063-007021               |
| B1                                   | Blower                                  | 020-000413               |                       | Plate, Pivot   | 083-008828               |
|                                      | Bracket, Blower                         | 087-013082               |                       | Plate, Right Chassis                                 | 083-007022               |
|                                      | Bracket, Choke                          | 087-013015               |                       | Plate, Top Gang Cover                                | 063-006889               |
|                                      | Bracket, Coil                           | 087-203456               |                       | Pulley (2)   | 028-200144               |
|                                      | Bracket, Coil Mounting (8)              | 087-013109               |                       | Rear Panel Assembly                                  | 150-008955               |
|                                      | Bracket, Escutcheon Mounting (2)        | 087-012720               |                       | Relay, Antenna                                       | 021-000858               |
|                                      | Bracket, Function Switch                | 087-012720               |                       | Relay, VOX   | 021-000732               |
|                                      | Bracket, Gang Mounting                  | 087-013018               |                       | Rotler (2)   | 028-000550               |
|                                      | Bracket, Meter Mounting                 | 087-012721               |                       | Shaft BAND SELECTOR                                  | 074-003097               |
|                                      | Bracket, Meter Switch and Bias Adj Pot  | 087-013014               |                       | Shaft, Cam   | 074-002397               |
|                                      | Bracket, Pilot Light                    | 087-013315               |                       | Shaft, Dial Gear                                     | 074-002398               |
|                                      | Bracket, Pot Mounting                   | 087-012712               |                       | Shaft, PRE-SELECTOR                                  | 074-002756-003           |
|                                      | Bracket, Preselector Shaft              | 087-013223               |                       | Shaft, PRE-SELECTOR (Outer)                          | 074-002791-002           |
|                                      | Bracket, Spring Adjust                  | 087-012807               |                       | Shaft, Tuning (Loading)                              | 074-003083               |
|                                      | Bracket, Switch                         | 087-010585               |                       | Shaft, Outer   | 074-003084               |
|                                      | Bracket, Switch Mounting                | 087-013083               |                       | Shield, Tube (V7,19)                                 | 069-201190               |
|                                      | Cabinet Assembly                        | 150-008949               |                       | Shield, Tube (V18)                                   | 069-001590               |
|                                      | Cabinet Bottom Rivet Assembly           | 150-008577               |                       | Socket, 4-crystal                                    | 150-003281               |
|                                      | Cabinet Top Assembly                    | 150-008578               |                       | Socket, Dual crystal                                 | 006-000984               |
|                                      | Cabinet, Weld Assembly                  | 066-004580               |                       | Socket, Pilot Light Assembly                         | 086-000741               |
|                                      | Coupling Insulator (Green)              | 028-001081               |                       | Socket, Relay  | 006-001184               |
|                                      | Coupling Insulator (Yellow)             | 026-200584               |                       | Socket, Single Crystal                               | 006-100320               |
|                                      | Cover, Air Box                          | 068-004581               |                       | Socket, Tube, 7-Pin (V1,6)                           | 006-200947               |
|                                      | Cover, Cabinet Bottom                   | 068-004579               |                       | Socket, Tube, 9-Pin (V2,3,5,11)                      | 006-200947               |
|                                      |   |                          |                       | Socket, Tube, 9-Pin (V4,8,9,14,20)                   | 006-001112               |
|                                      |   |                          |                       | Socket, Tube, 7-Pin (V6,12,13,15)                    | 006-001094               |
|                                      |   |                          |                       | Socket, Tube, 9-Pin (V7,18,19)                       | 006-200395               |
|                                      |   |                          |                       | Socket, Tube, 11-Pin (V16,17)                        | 006-001212               |
|                                      |   |                          |                       | Spring, Anti-Backlash                                | 075-000841               |
|                                      |   |                          |                       | Spring, Cam  | 075-001007               |
|                                      |   |                          |                       | Spring, Dial Cord                                    | 075-100012               |
|                                      |   |                          |                       | Spring, Hold-down                                    | 075-001418               |
|                                      |   |                          |                       | Spring, Idler Follower                               | 075-200810               |
|                                      |   |                          |                       | Spring, Pivot Plate                                  | 075-001008               |
|                                      |   |                          |                       | Stud, Switch   | 074-003098               |
|                                      |   |                          |                       | Window, Glass, KC                                    | 022-000747               |
|                                      |   |                          |                       | Window, Left Glass                                   | 022-000748               |
|                                      |   |                          |                       | Window, Right Glass                                  | 022-000749               |



- NOTES:
- UNLESS OTHERWISE SPECIFIED: ALL RESISTORS ARE IN OHMS 10% 1/2 WATT
  - ALL CAPACITORS ARE IN UF (SEE PARTS LIST FOR VOLTAGE RATING)
  - OPERATION SWITCH (S4) IS SHOWN IN OFF (FULL CCW) POSITION
  - BAND SELECTOR (S1) IS SHOWN IN CW (FULL CCW) POSITION
  - METER SWITCH (S2) IS SHOWN IN S/RFO (FULL CCW) POSITION
  - ALL WAFERS OF BAND SELECTOR (S1) ARE MECHANICALLY GANGED
  - RELAYS ARE SHOWN IN RECEIVE CONDITION
  - RESISTANCE MAY VARY FROM VALUE SHOWN, IF REPLACEMENT IS NECESSARY, USE SAME VALUE AS PART REMOVED.



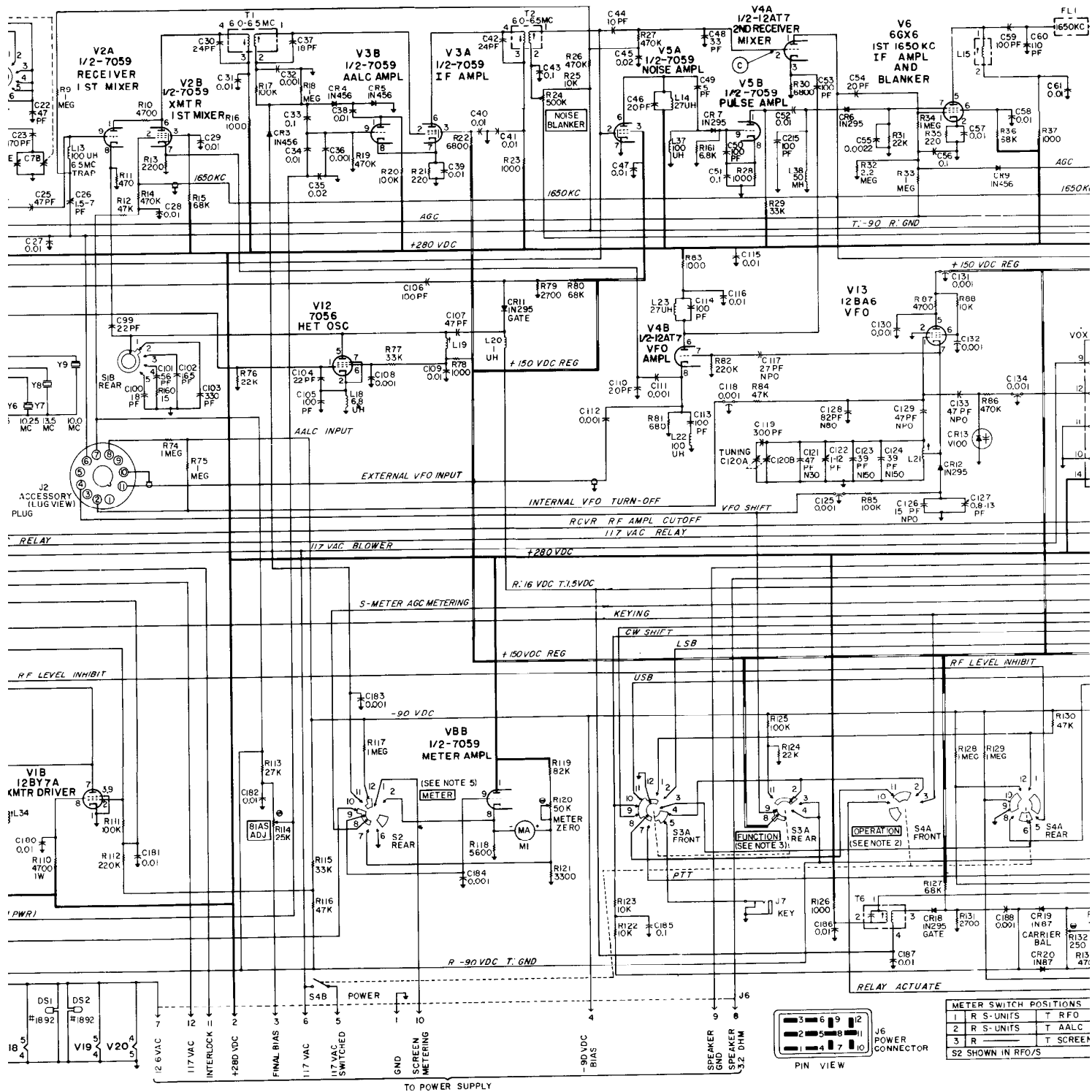
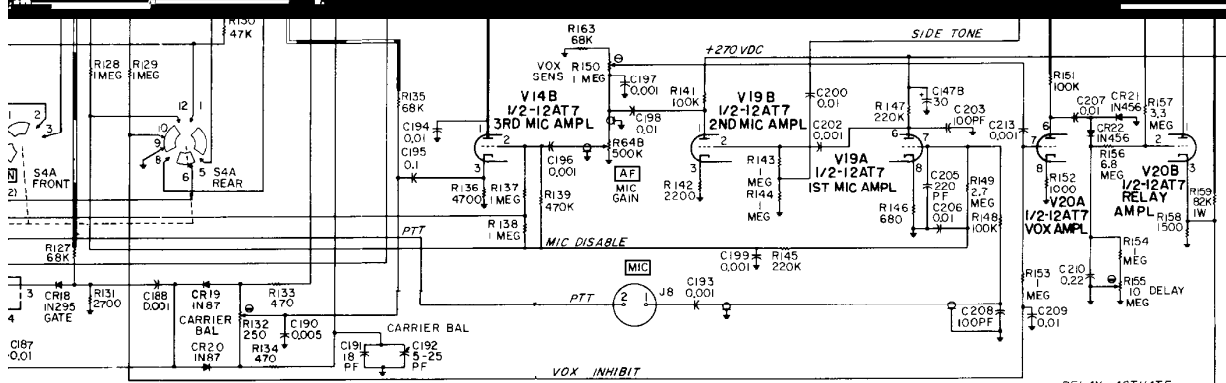
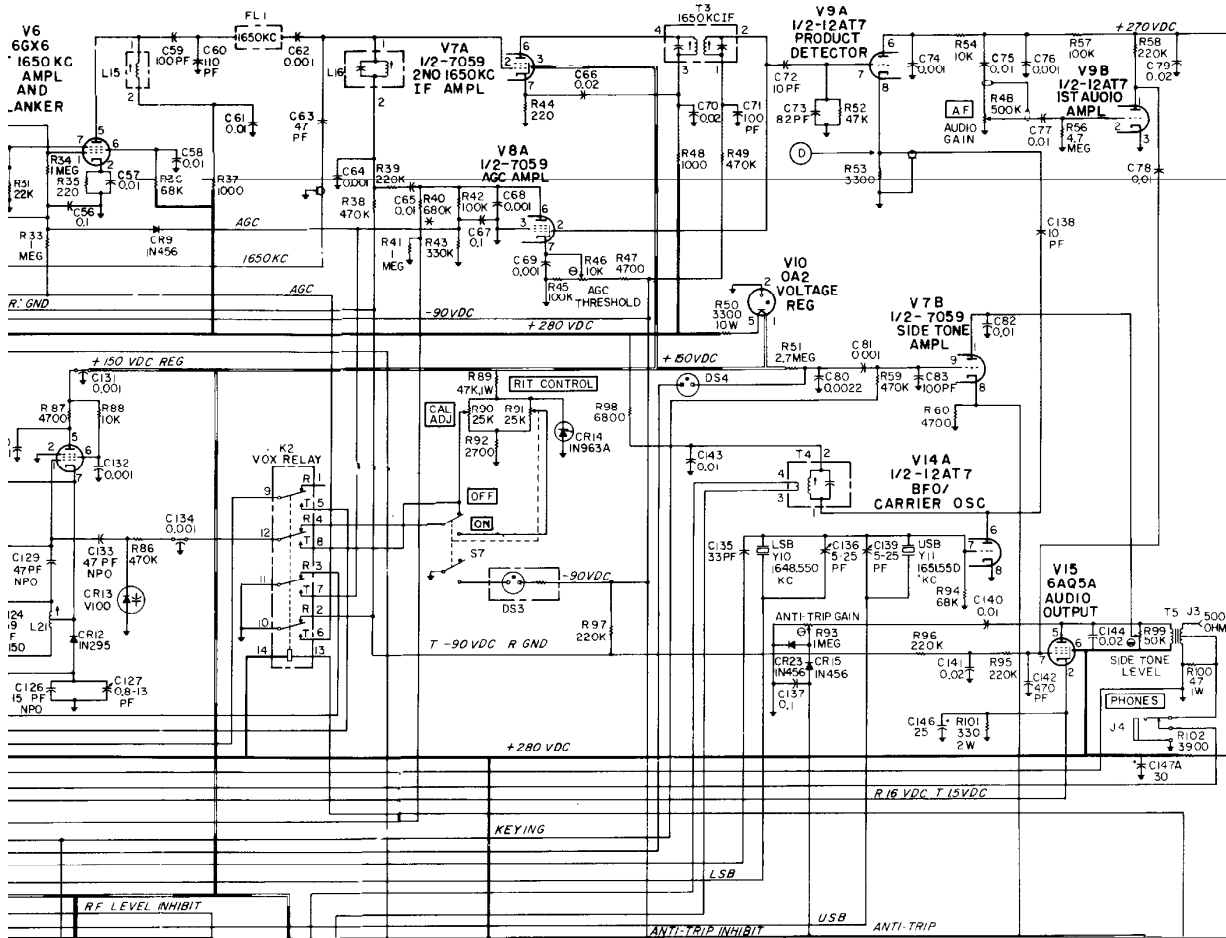


Figure 22. Model SR-2000 Transceiver Schematic Diagram.



| METER SWITCH POSITIONS |                   | FUNCTION SWITCH POSITIONS |                | OPERATION SWITCH POSITION |                       |
|------------------------|-------------------|---------------------------|----------------|---------------------------|-----------------------|
| 1                      | R S-UNITS T RFO   | 1                         | CW             | 1                         | OFF (POWER OFF)       |
| 2                      | R S-UNITS T AALC  | 2                         | TUNE           | 2                         | REC (RECEIVE)         |
| 3                      | R. T: SCREEN MA   | 3                         | USB            | 3                         | MOX (MANUAL XMIT PTT) |
|                        | S2 SHOWN IN RFO/S | 4                         | LSB            | 4                         | VOX (AUTOMATIC XMIT)  |
|                        |                   |                           | S3 SHOWN IN CW |                           | S4 SHOWN IN OFF       |