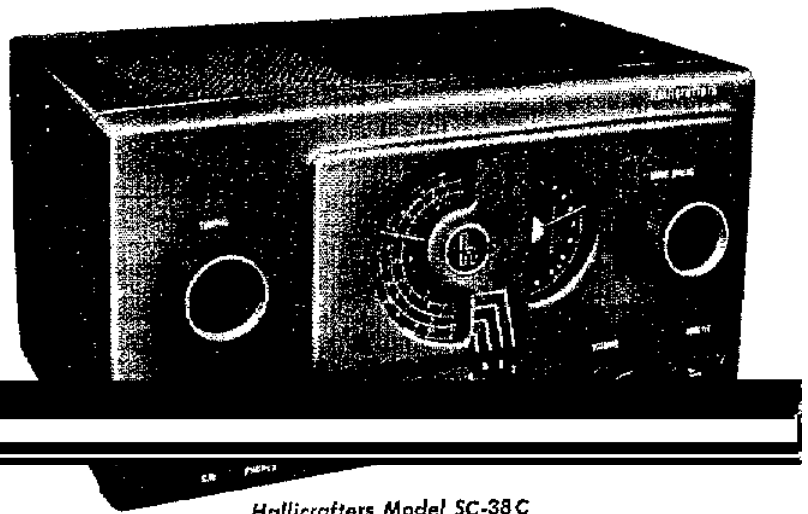




**the hallicrafters co.**  
MANUFACTURERS OF ELECTRONIC EQUIPMENT, CHICAGO 24, U. S. A.

## GENERAL DESCRIPTION

World-wide radio reception is yours with the Hallicrafters Model S-38C. This 5 tube communications receiver tunes from 540 kilocycles to 32 megacycles to bring you standard broadcast programs, foreign and domestic shortwave broadcasts, amateurs, police, ships, aircraft and countless other exciting distant stations. It receives both voice and code broadcasts and is designed to operate from 105 to 125 volt direct current (DC) or 60 cycles alternating current (AC). A 5-inch Alnico V permanent magnet speaker is built into the top of the



front panel is a special feature which permits you to silence the receiver without turning the set off.

Good reception of both standard and shortwave broadcasts can be obtained in most localities with the 15 foot antenna wire included with your receiver. It is merely necessary to uncoil this wire, connect one end of it to terminal

tune in stations on crowded bands by spreading them out so that they may be more easily separated. In this way you are able to hear many more stations than you would on an ordinary radio with just one tuning knob.

The amateur bands and principal shortwave channels of the world are clearly marked on the dial for your convenience. Since shortwave conditions vary with the season of the year and even with the time of day, shortwave programs may not be heard with the same regularity as standard broadcasts. A special table has been provided on page 3 to aid

to insure the satisfaction you have a right to expect from a Hallicrafters "Precision Built" product. Your receiver has an unusually high degree of sensitivity necessary to receive weak and distant stations. Careless operation of a high sensitivity receiver may result in excess noise or background hiss. These undesirable effects can be held to a minimum by careful adjustment of the tuning controls as well as the proper selection and arrangement of the antenna.

## INSTALLATION INSTRUCTIONS

**ANTENNA** - The terminals marked A1, A2 and G on the back of the set are for antenna and ground connections. Good results can be obtained in most localities with the 15 foot antenna wire included with your receiver. This wire should be uncoiled to provide maximum signal pickup. An outside antenna 50 to 100 feet long (ordinary copper wire) may be necessary if the receiver is operated in a difficult reception area or steel constructed building. Connect the antenna wire to terminal A1 on the back of the set and then connect the jumper between terminals A2 and G. In some locations, reception may be improved by connecting a lead from terminal G to a cold water pipe or outside ground rod.

For really top performance, there is no substitute for an outside antenna such as used by the commercial radio stations. Provision has been made on your receiver for the connection of this type of antenna, commonly called a doublet. When a doublet antenna is used, the jumper is removed and the antenna is connected to terminals A1 and A2. Consult your radio dealer for further information.

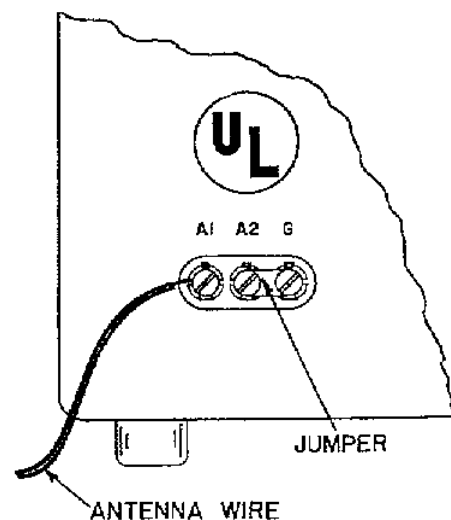


Fig. 1. Rear View of Receiver Showing Antenna and Ground Terminals

## OPERATING INSTRUCTIONS

**TUNING DIAL** - All dial readings are in megacycles. To convert the readings on the standard broadcast band (band 1) to kilocycles, simply remove the dot and add two zeros; thus, .7 on the dial corresponds to 700 kilocycles.

**AM-CW SWITCH** - Set this switch at AM to listen to voice and musical broadcasts. Set it at CW only if you wish to hear code signals.

**SPEAKER-PHONES SWITCH** - For operation of the built-in speaker, set the switch at SPEAKER. Tip jacks are provided on the back of the set for plugging in a pair of headphones. Use any 500 to 5000 ohm headphones. For headphone operation set the switch at PHONES.

**BAND SELECTOR CONTROL** - Set this control for the band you wish to tune.

**VOLUME CONTROL** - Turn this control clockwise to turn the set on. Allow about 30 seconds for the tubes to reach operating temperature and then advance the control to increase volume. To turn the set off, turn this control counter-clockwise until a click is heard.

**NOTE** - If the receiver does not operate after the 30 second warm up when connected to a DC source, the power plug should be reversed in the wall outlet to obtain proper polarity.

**RECEIVE-STANDBY SWITCH** - Set this switch at RECEIVE for radio reception. If you wish to silence the receiver without turning the set off, set the switch at STANDBY. To resume radio reception, simply return the switch to the RECEIVE position.

**TUNING KNOB** - Your receiver has been provided with two tuning knobs - The TUNING knob which operates the pointer on the left hand dial and a separate BAND SPREAD knob which operates the pointer on the right hand dial. The TUNING knob is for wide tuning and the BAND SPREAD knob for fine tuning. Use the TUNING knob to tune in the desired station. Tune for the clearest and strongest signal. If the signal is too strong, reduce it by means of the VOLUME control, not by using the TUNING knob. For code reception, adjust the TUNING knob for the desired pitch of the CW code signal when tuning in the station.

**IMPORTANT** - The dial readings will correspond to the exact station frequencies only if the BAND SPREAD dial pointer is set at 0.

**BAND SPREAD KNOB** - The BAND SPREAD knob permits you to accurately tune in stations on crowded bands by spreading them out so that they can be more easily separated. The BAND SPREAD knob can be used in two different ways. First, it may be left with the pointer at 5 while you partially tune in the desired station with the TUNING knob. Then, by "rocking" the BAND SPREAD knob back and forth (turn it a few degrees to the left and right through the desired station), you will be able to tune in the desired station with precision accuracy.

The second way to operate the BAND SPREAD knob is to use it to cover a group of stations. Set the BAND SPREAD knob so that the pointer reads 0 and then turn the TUNING knob to tune in the highest frequency station in the group. The other stations can be heard by slowly turning the BAND SPREAD knob from 0 to 100.

**BEST SHORTWAVE RECEPTION TABLE**

Band	Most Favorable Time	Most Favorable Distance
6-7 MC	Night - Winter	Day - 400 Miles - Night - Over 1500 Miles
9-10 MC	Day - Late Afternoon and Night - Winter	Over 500 Miles
11-12 MC	Evenings or Late Summer Afternoons	Day - Under 1500 Miles - Night - Over 1500 Miles
15-18 MC	Early Mornings and Evenings	Over 1500 Miles

# SERVICE INSTRUCTIONS

## GENERAL SPECIFICATIONS

Tubes . . . . . 5 including 1 rectifier  
 Speaker . . . . . 5 inch PM  
 Voice Coil Impedance . . . . . 3.2 ohms  
 Headphone Output Impedance . . . 15 ohms  
 Antenna . . . . . Terminals for single wire or  
 doublet antenna. (See Page 2.)  
 Intermediate Frequency . . . . . 455 KC  
 Frequency Coverage . . . . . 540 KC - 32 MC  
 Power Supply . . . . . 105-125 volts DC or  
 60 cycles AC  
 Power Consumption . . . . . 30 watts

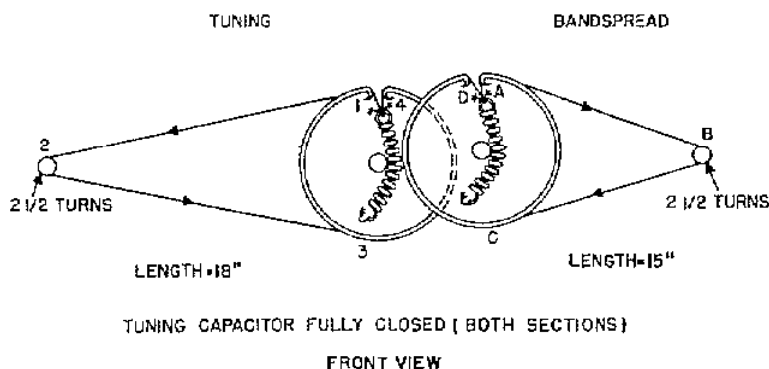


Fig. 2. Dial Cord Stringing Diagram

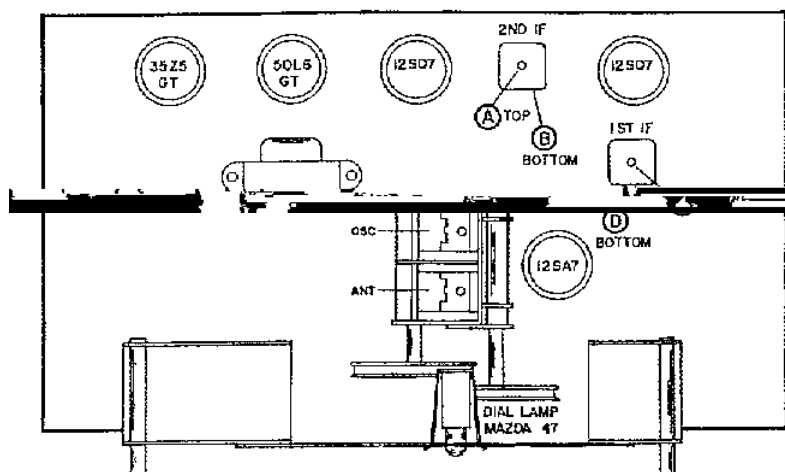


Fig. 3. Top View of Chassis Showing Location of Alignment Adjustments, Tubes and Dial Lamp

**DIAL CORD STRINGING** - Refer to Fig. 2 for the stringing diagram. Both sections of the tuning gang should be fully meshed. To restring the TUNING dial cord, tie one end of an 18 inch length of 30 lb. dial cord

Follow the stringing sequence 1 through 4. At 4, stretch the spring and tie the cord securely to the spring. Cut off the excess cord and apply a drop of quick drying cement to the knot.

To restring the BAND SPREAD dial cord, cut a 15 inch length of dial cord and follow the procedure as explained above, starting at A and proceeding through D.

**TUBE AND DIAL LAMP REPLACEMENT** - Refer to Fig. 3 for the location of the tubes and dial lamp used in the receiver. To gain access to the tubes and lamp, remove the back cover from the cabinet. Before attempting to make any replacement, set the BAND SPREAD control fully clockwise and the TUNING control fully counterclockwise to prevent damage to the tuning gang. To replace a tube, insert the center guide pin into the center hole of the tube socket, rotate the tube until the key drops into position and then push down until the tube is held firmly in the socket. To make a dial lamp replacement, remove the dial lamp socket by compressing the side springs. Make replacement only with a type 47 pilot lamp.

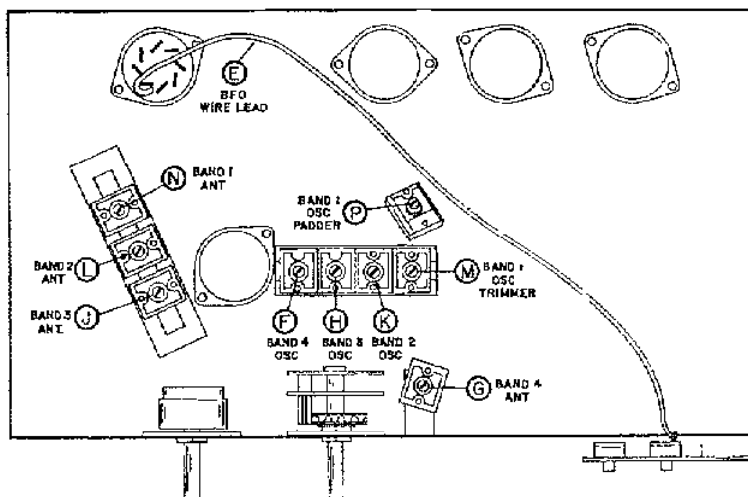


Fig. 4. Bottom View of Chassis Showing Location of Alignment Adjustments

## ALIGNMENT INSTRUCTIONS

- Use an amplitude modulated generator covering 455 KC to 30 MC.  
Use a modulated output for every step except Step 2.

200MMF    20 MH

- Set the AM/CW switch at AM, (except for BFO adjustment), SPEAKER/PHONES switch at SPEAKER, VOLUME control at maximum, RECEIVE/STANDBY switch at RECEIVE and the BAND SPREAD control at 0.
- See Figs. 3 and 4 for location of alignment adjustments.

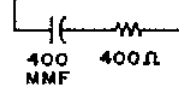


Fig. 5. RMA Dummy Antenna

Step	Signal Generator Connections	Generator Frequency	Band Selector Setting	Receiver Dial Setting	Adjust
<b>IF ALIGNMENT</b>					
1	High side thru a .01 mfd. capacitor to stator plates of front section of TUNING gang. Low side to chassis.	455 KC	1	1.0 MC	A, B, C and D for maximum output. Keep reducing gen. output so that the reading on the output meter does not exceed 50 milliwatts
<b>BFO ADJUSTMENT</b>					
*2	Same as Step 1.	455 KC (No Mod.)	1	1.0 MC	Set the AM/CW switch at CW. (Reset the switch at AM when Step 2 is completed.) For correct BFO operation, vary the coupling between lead E and pins 4 and 8 of the 12SG7 tube for a maximum beat note. Pushing lead E toward pin 4 increases the strength of the beat.
<b>RF ALIGNMENT</b>					
3	High side thru RMA dummy antenna (Fig. 5) to terminal A1 on back of chassis. Low side to chassis. Connect jumper between A2 and G.	30 MC	4	30 MC	F and G for maximum output as in Step 1.
4	Same as Step 3.	14 MC	3	14 MC	H and J for maximum output as in Step 1.
5	Same as Step 3.	5 MC	2	5 MC	K and L for maximum output as in Step 1.
6	Same as Step 3.	1500 KC	1	1.5 MC	M and N for maximum output as in Step 1.
		500 KC	1	.6 MC	P for maximum output as in Step 1.

\* Step 2 is usually unnecessary. Adjustment should be made ONLY if a weak beat note is obtained on strong CW signals indicating lack of coupling between wire lead E and pins 4 and 8 of the 12SG7.

**SERVICE OR OPERATING QUESTIONS** - For further information regarding operation or servicing of your radio, contact your dealer. Make no service shipments to the factory as the Hallicrafters Co. will not accept the responsibility for unauthorized shipments. Factory type service is available at any **HALLICRAFTERS AUTHORIZED SERVICE CENTER** which displays the sign shown at the right of the page. For the location of the one nearest you, consult your dealer or telephone directory.



The Hallicrafters Co. reserves the privilege of making revisions in current production of equipment and assumes no obligation to incorporate these revisions in earlier models.

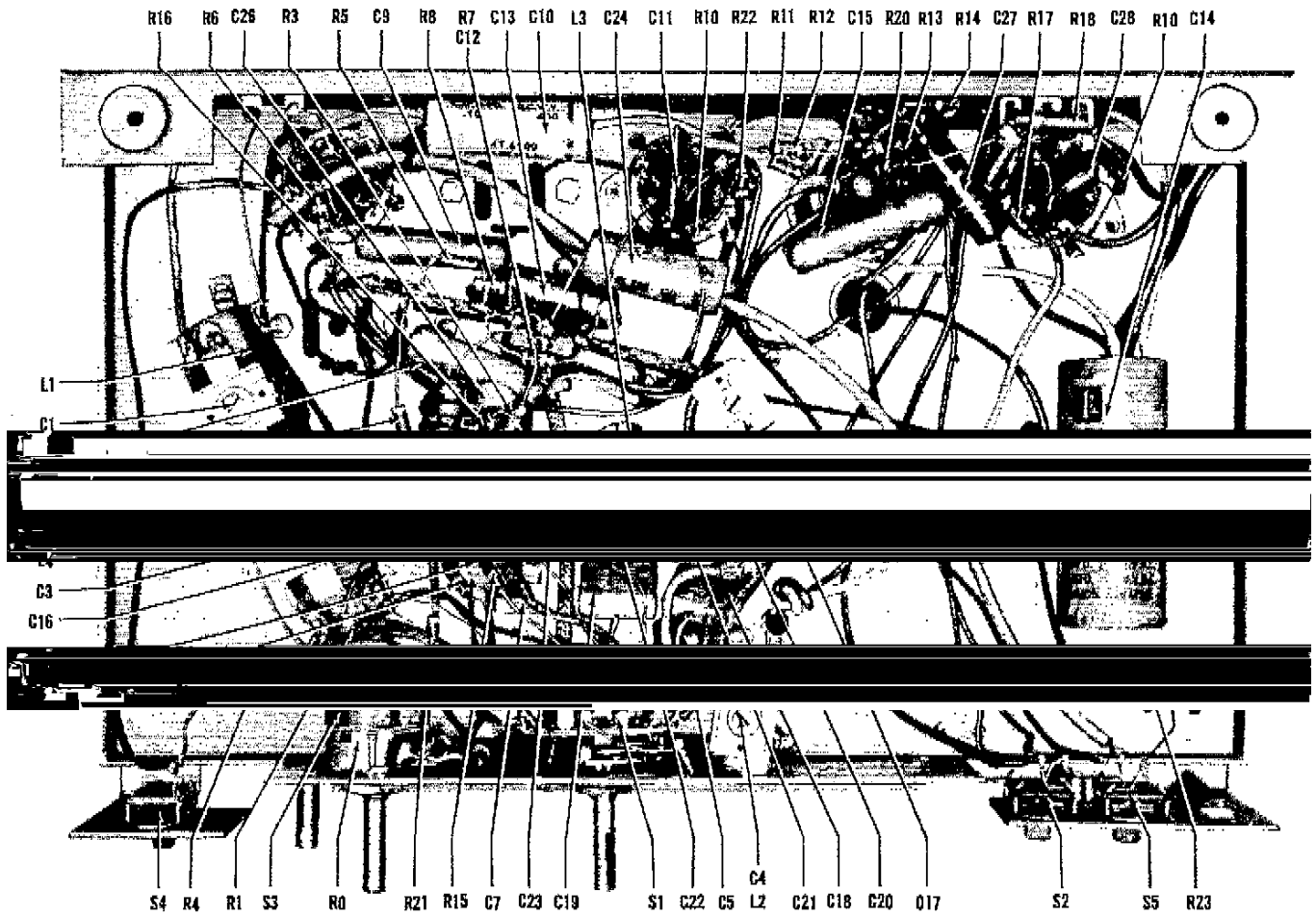


Fig. 6. Bottom View of Chassis Showing Component Location

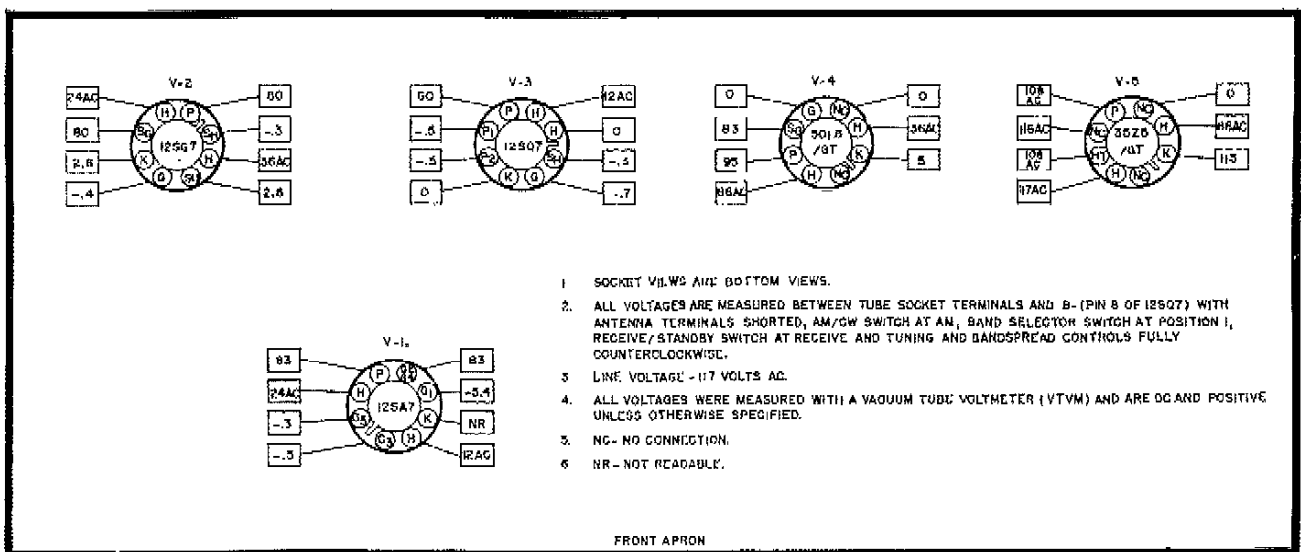


Fig. 7. Tube Socket Voltage Chart

## SERVICE PARTS LIST

Schematic Symbol	Description	Hallcrafters Part Number	Schematic Symbol	Description	Hallcrafters Part Number
<b>CAPACITORS</b>			<b>SWITCHES</b>		
C-1,2,3	Trimmer; part of antenna coil L-1	-----	S-1A,B,C&D	Bandswitch assembly (BAND SELECTOR)	80C393
C-4	Trimmer, 20-120 mmf.	44A424	S-2,5	Switch, slide; spdt (SPEAKER/ PHONES and AM/CW)	60A477
C-5	2700 mmf. 5%, 500V.; mica	47X30B272J	S-3	Switch, ON-OFF; part of VOLUME control R-9	-----
C-6A,B,C&D	Tuning capacitor, 2 section	48C162-1	S-4	Switch, slide; spst (RECEIVE/ STANDBY)	60A476
C-7,12,16	220 mmf. 10%, 500V.; mica	47X30B221K			
C-8,15	.02 mfd. 600V., tubular	46AY203J			
C-9	.05 mfd. 200V., tubular	48AD503J			
23	coil L-3	-----	V-2	12SQ7: IF amplifier and BFO	90X12SQ7
C-24	.05 mfd. 600V., tubular	46AY503J	V-3	12SQ7 or 12SQ7GT/G: detector and audio amplifier	90X12SQ7 or 90X12SQ7GT/G
C-25,26	5000 mmf. 450V., ceramic disc	47A168	V-4	50L6GT: audio output	90X50L6GT
C-27	.02 mfd. 600V., molded tubular	46BR203L8	V-5	35Z5GT; rectifier	90X35Z5GT
C-28	10,000 mmf. 450V., ceramic disc	47A224	LM-1	Lamp, dial; type 47	39A004
<b>RESISTORS</b>			<b>MISCELLANEOUS PARTS</b>		
R-1	10,000 ohms 1/2 watt, carbon	23X20X103M		Cabinet	86C772
R-2,5	2.2 megohms 1/2 watt, carbon	23X20X225M		Cabinet back	32C513
R-3	22,000 ohms 1/2 watt, carbon	23X20X223M		Cabinet bottom cover	32C501
R-4	270 ohms 1/2 watt, carbon	23X20X271K		Clip, mtg; for antenna coil L-2	78A326
R-6	330 ohms 1/2 watt, carbon	23X20X331M		Dial cord (specify length)	38A026
R-7	47,000 ohms 1/2 watt, carbon	23X20X473M		Dial scale	83C406
R-8,12,21,22	470,000 ohms 1/2 watt, carbon	23X20X474M		Dial window	22B311
R-9	2 megohms; VOLUME control	25B896		Knob, BAND SELECTOR and VOLUME	15A049
R-10	10 megohms 1/2 watt, carbon	23X26X106M		Knob, BAND SPREAD and TUNING	15A048
R-11	220,000 ohms 1/2 watt, carbon	23X20X224M	PI-1	Line cord and plug	67A078
R-13	150 ohms 1/2 watt, carbon	23X20X151K		Line cord lock; male section	76A397-1
R-14,15,17	15 ohms 1/2 watt, carbon	23X20X150M		Line cord lock; female section	76A397-2
R-16,18,24	22 ohms 1/2 watt, carbon	23X20X220M		Mounting foot, cabinet	16A244
R-19	220 ohms 1 watt, carbon	23X30X221M		Pointer, dial; BAND SPREAD	82A216
R-20	1000 ohms 1/2 watt, carbon	23X20X102M		Pointer, dial; TUNING	82A217
R-23	470 ohms 1/2 watt, carbon	23X20X471K		Speaker, 5-Inch PM	85C030
<b>COILS AND TRANSFORMERS</b>				Spring, dial cord	75A012
L-1	Coil, antenna; bands 1, 2 and 3	51C821	LS-1		
L-2	Coil, antenna; band 4	51B1015			
L-3	Coil, oscillator; all bands	51C822			
L-4	Choke, RF; 540 microhenries	53A107			
T-1	Transformer, 1st IF	50C531			
T-2	Transformer, 2nd IF	50C532			
T-3	Transformer, audio output	55A127			

## Warranty

*"The Hallicrafter's Company warrants each new radio product manufactured by it to be free from defective material and workmanship and agrees to remedy any such defect or to furnish a new part in exchange for any part of any unit of its manufacture which under normal installation, use and service discloses such defect, provided the unit is delivered by the owner to our authorized radio dealer, wholesaler, from whom purchased, or, authorized service center, intact, for examination, with all transportation charges prepaid within ninety days from the date of sale to original purchaser and provided that such examination discloses in our judgment that it is thus defective.*

*This warranty does not extend to any of our radio products which have been subjected to misuse, neglect, accident, incorrect wiring not our own, improper installation, or to use in violation of instructions furnished by us, nor extend to units which have been repaired or altered outside of our factory or authorized service center, nor to cases where the serial number thereof has been removed, defaced or changed, nor to accessories used therewith not of our own manufacture.*

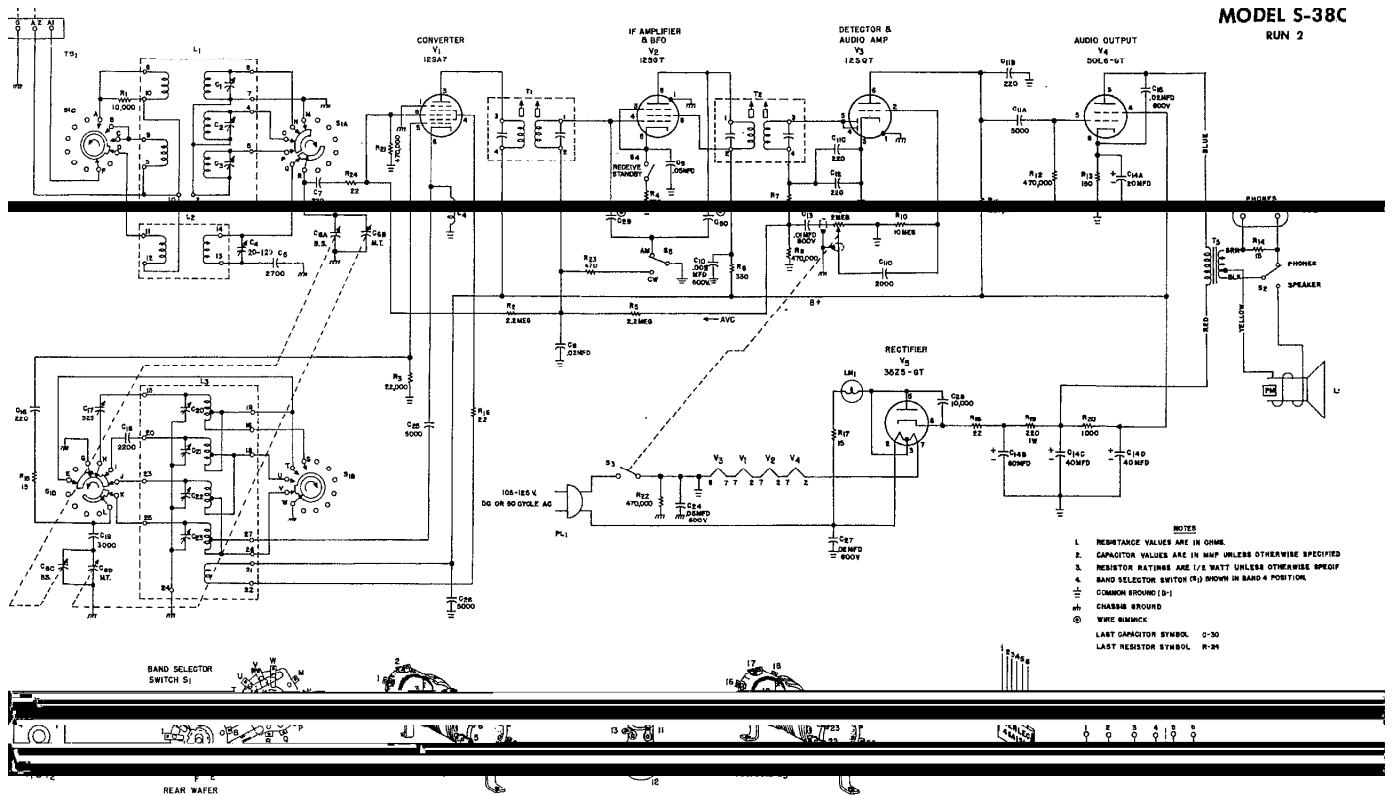
*Any part of a unit approved for remedy or exchange hereunder will be remedied or exchanged by the authorized radio dealer or wholesaler without charge to the owner.*

*This warranty is in lieu of all other warranties expressed or implied and no representative or person is authorized to assume for us any other liability in connection with the sale of our radio products."*

Form No. 94X622

*the Hallicrafter co*

**MODEL 5-38C**  
RUN 2



- NOTES**
1. RESISTANCE VALUES ARE IN OHMS.
  2. CAPACITOR VALUES ARE IN MMF UNLESS OTHERWISE SPECIFIED.
  3. RESISTOR RATINGS ARE 1/2 WATT UNLESS OTHERWISE SPECIFIED.
  4. BAND SELECTOR SWITCH (S1) SHOWN IN BAND 4 POSITION.
  - ⊕ COMMON GROUND (GND).
  - ⊖ CHASSIS GROUND.
  - ⊙ WIRE SHIMMICK.
- LAST CAPACITOR SYMBOL C-30  
LAST RESISTOR SYMBOL R-24

NOTE: VALUES & TOLERANCES SHOWN ARE NOMINAL AND VARIATIONS MAY BE FOUND.  
IT IS RECOMMENDED THAT THE VALUES OF ANY REPLACEMENT CORRESPOND  
TO THE NOMINAL VALUE OF THE PART BEING REPLACED.

Fig. 8. Schematic Diagram