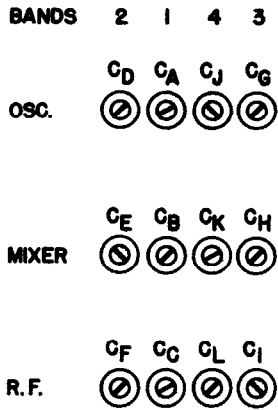


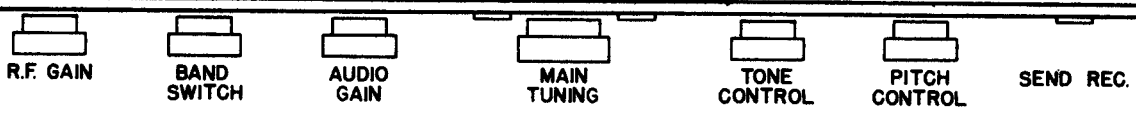
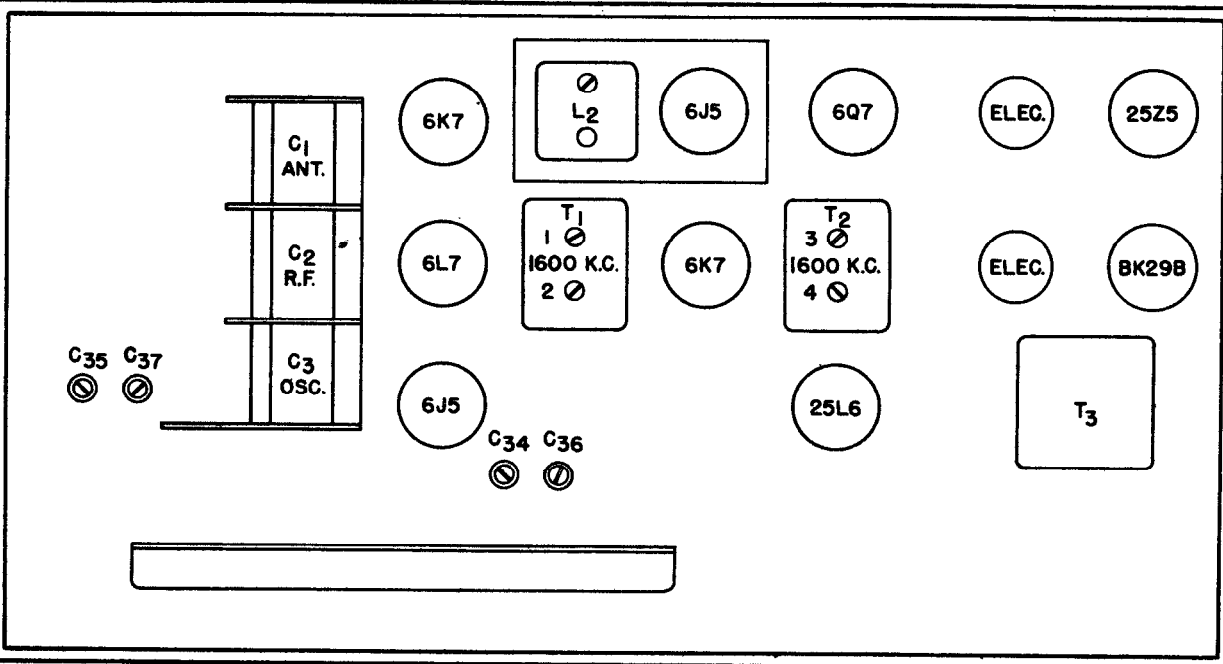
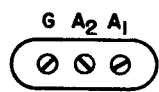
MODEL S-22
Skyrider Marine
Socket, Trimmers

HALLICRAFTERS, INC.



SKYRIDER MARINE MODEL S-22

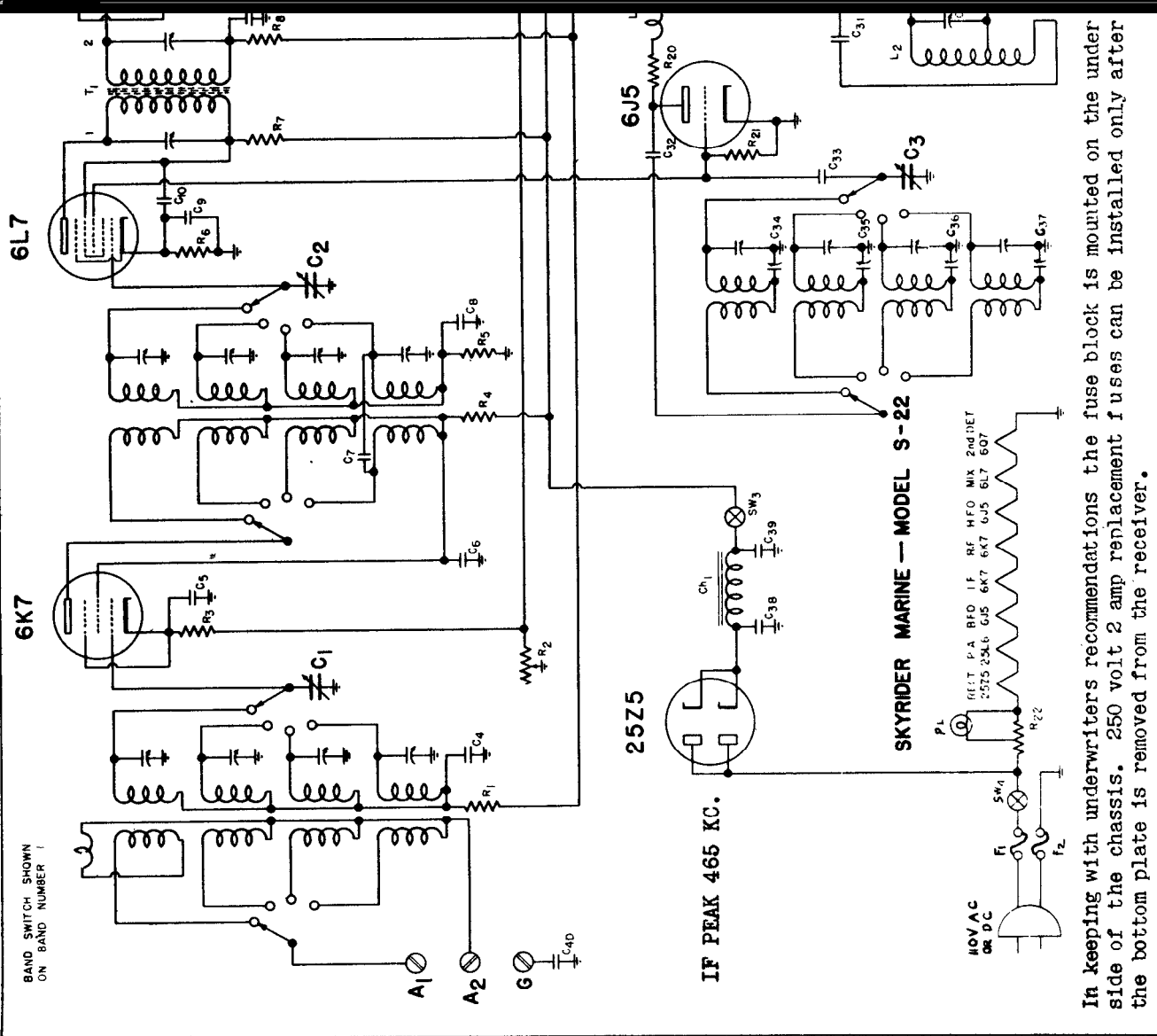
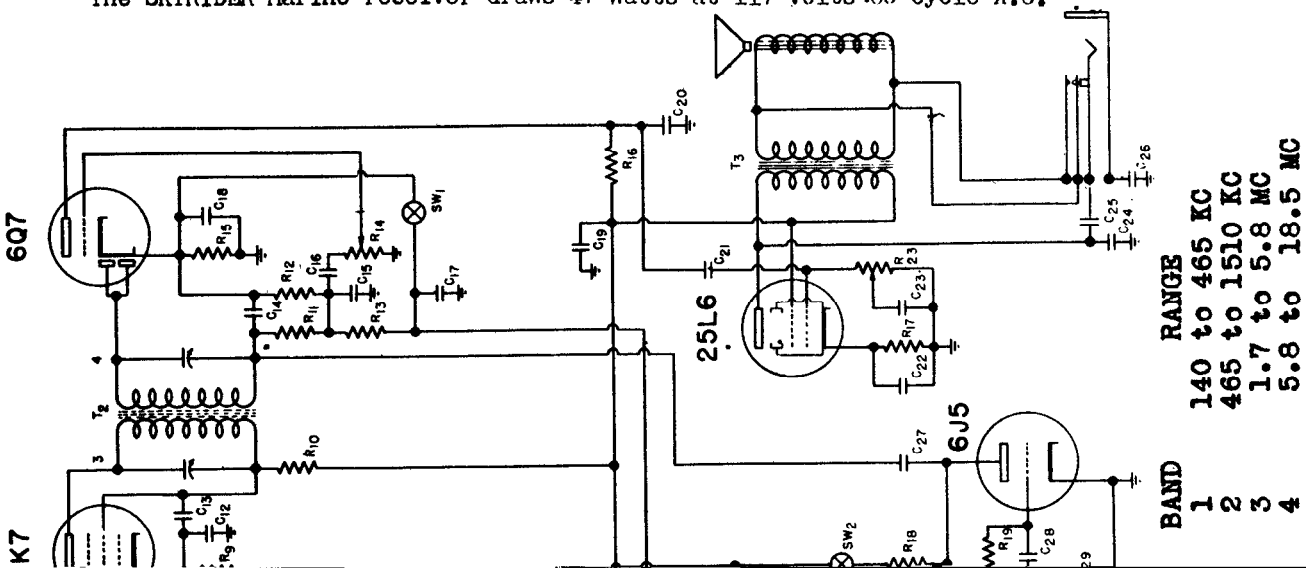
- TUBES**
- 6K7 R.F. Amp.
 - 6L7 1st. Det.
 - 6J5 High Freq. Osc.
 - 6K7 I.F. Amp.
 - 6Q7 2nd. Det., A.V.C.
1st Audio
 - 25L6 Output
 - 25Z5 Rectifier
 - 6J5 B.F.O.



HALLICRAFTERS, INC.

MODEL S-22
Skyrider Marine
Schematic

The SKYRIDER Marine receiver draws 47 watts at 117 volts .60 cycle A.C.



In keeping with underwriters recommendations the fuse block is mounted on the under side of the chassis. 250 volt 2 amp replacement fuses can be installed only after the bottom plate is removed from the receiver.

MODEL S-22
Skyrider Marine
Alignment, Parts

HALLICRAFTERS, INC

NOTE: Because this receiver can be operated on either 110 volt AC or 220 volt AC, the chassis is electrically grounded above ground. DO NOT ground the receiver at any other point than the G terminal on the rear of the receiver.

ALIGNMENT PROCEDURE

Intermediate Frequency Alignment

Have the controls set as follows:-

- A.V.C.-B.F.O. switches in the "OFF" position.
- Adjust A.F. and R.F. gain controls for maximum volume.
- Set Band Switch on #1 Band.
- Set main dial at 465 KC or minimum capacity position.
- Remove 6L7 grid cap - connect the other end of this tube. Connect the terminal of the receiver.
- The chassis is insulated from the ground.
- After the above adjustments have been made, set the signal generator for 1800 KC.
- Adjust the trimmers on T1 and T2 as indicated by maximum signal output. If you prefer an output type and connected to the speaker, or to the plate of the condenser.

R.F. Alignment

Replace the .1 mfd condenser in series with the generator leads with a .00025 mfd. capacitor. Connect the generator to the chassis. Leave the jumper between the low frequency ends of the band All trimmer adjustments are for the h1 through the bottom plate. Remove the placing a knife under the small snap if

Place the band switch on Band 1. Set dial for that frequency. Adjust oscillator for maximum signal. Reset generator for maximum signal.

Turn Band Switch to Band 2. Set generator for maximum output. Reset generator for maximum signal.

Adjust Band Switch to Band 3. Set generator for maximum signal. Reset generator for maximum output.

Set Band Switch on Band 4. Tune generator for maximum signal. Reset generator for maximum output.

RESISTORS

NO.	OHMS	WATTAGE	PARTS NO.
R1	100,000	1/3	20-093
2	25,000	R. F. Gain	25-039
3	600	1/3	22-125
4	1,000	1/3	20-033
5	100,000	1/3	20-093
6	200	1/3	20-015
7	1,000	1/3	20-033
8	100,000	1/3	20-093
9	600	1/3	22-125
10	1,000	1/3	20-033
11	100,000	1/3	20-093
12	1,000,000	1/3	20-108
13	1,000,000	1/3	20-108
14	500,000	Audio Gain	25-041
15	7,500	1/3	20-060
16	250,000	1/3	20-099
17	140	1/2	22-011
18	5,000	1/3	20-054
19	50,000	1/3	20-084
20	1,000	1/3	20-033
21	50,000	1/3	20-084
22	94	total - type BK 29B resistor tube	
23	500,000	Tone Control	25-040

CONDENSER

NO.	CAPACITY	TYPE	VOLTAGE	PARTS NO.
C1	408.	mmfd.		48-022
2				
3				
4	.05	mfd.	400	41-005
5	.01	"	400	41-001

CONDENSER - Continued

NO.	CAPACITY	TYPE	VOLTAGE	PARTS NO.
6	.01	mfd.	400	41-001
7	10	mmfd.		40-021
8	.01	ceramic	"	41-001
9	.01	"	"	41-001
10	.01	"	"	41-001
11	.01	"	"	41-001
12	.02	"	"	41-003
13	.01	"	"	41-001
14	.0001	mica	"	40-007
15	.0001	"	"	40-007
16	.05	"	"	41-005
17	.01	"	"	41-001
18	20.	electrolytic	25	42-025
19	.1	"	400	41-007
20	.00025	mica	"	40-024
21	.05	"	"	41-005
22	20.	electrolytic	25	42-025
23	.005	"	600	40-020
24	.005	"	"	40-020
25	.01	"	400	41-001
26	.01	"	"	41-001
27	10.	mmfd.		40-021
28	.00025	ceramic		40-024
29	.0003	mica		
30	.00025	in pitch control		
31	.01	pitch control		48-021
32	.002	"	"	41-001
33	.0001	mica	"	40-013
34	50.	"	"	40-007
35	100.	mmfd.		44-027
36	375.	"		44-028
37	1,080.	"		44-027
38	40	"		44-028
39	40	mfd.	150	42-028
40	.01	"	400	42-026

