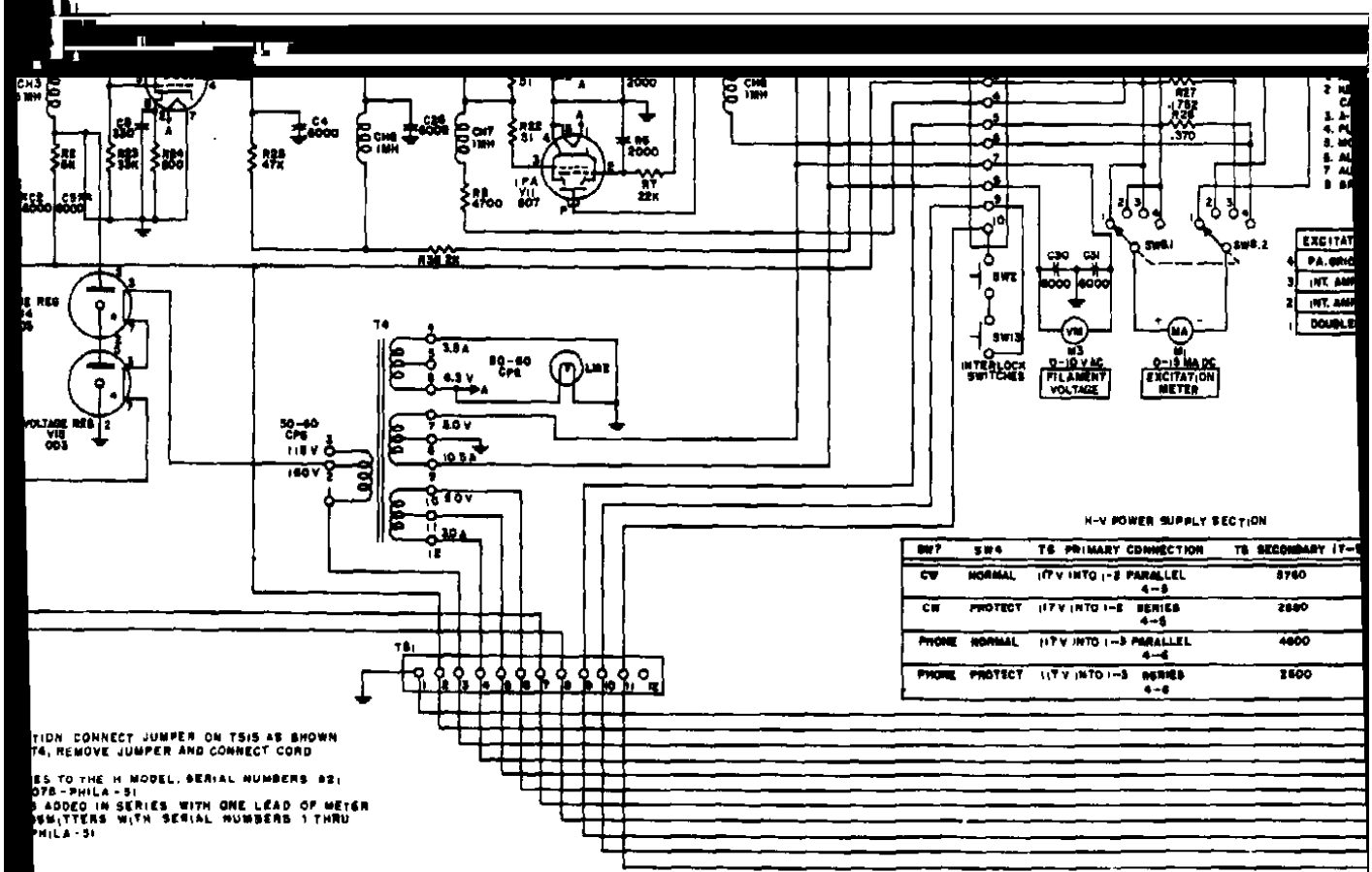
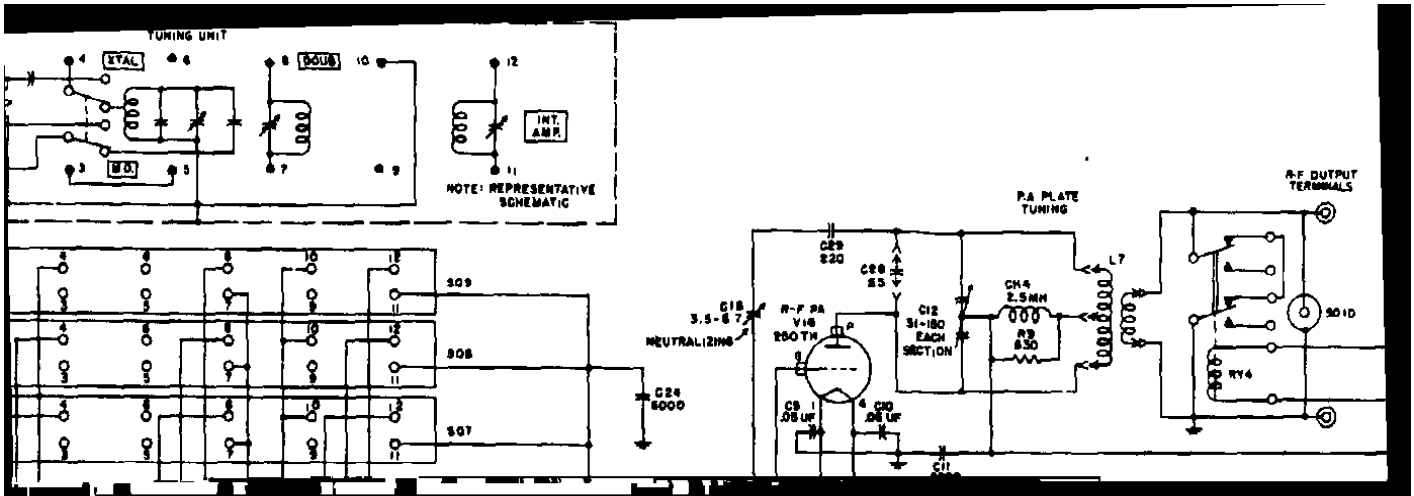


NOTES

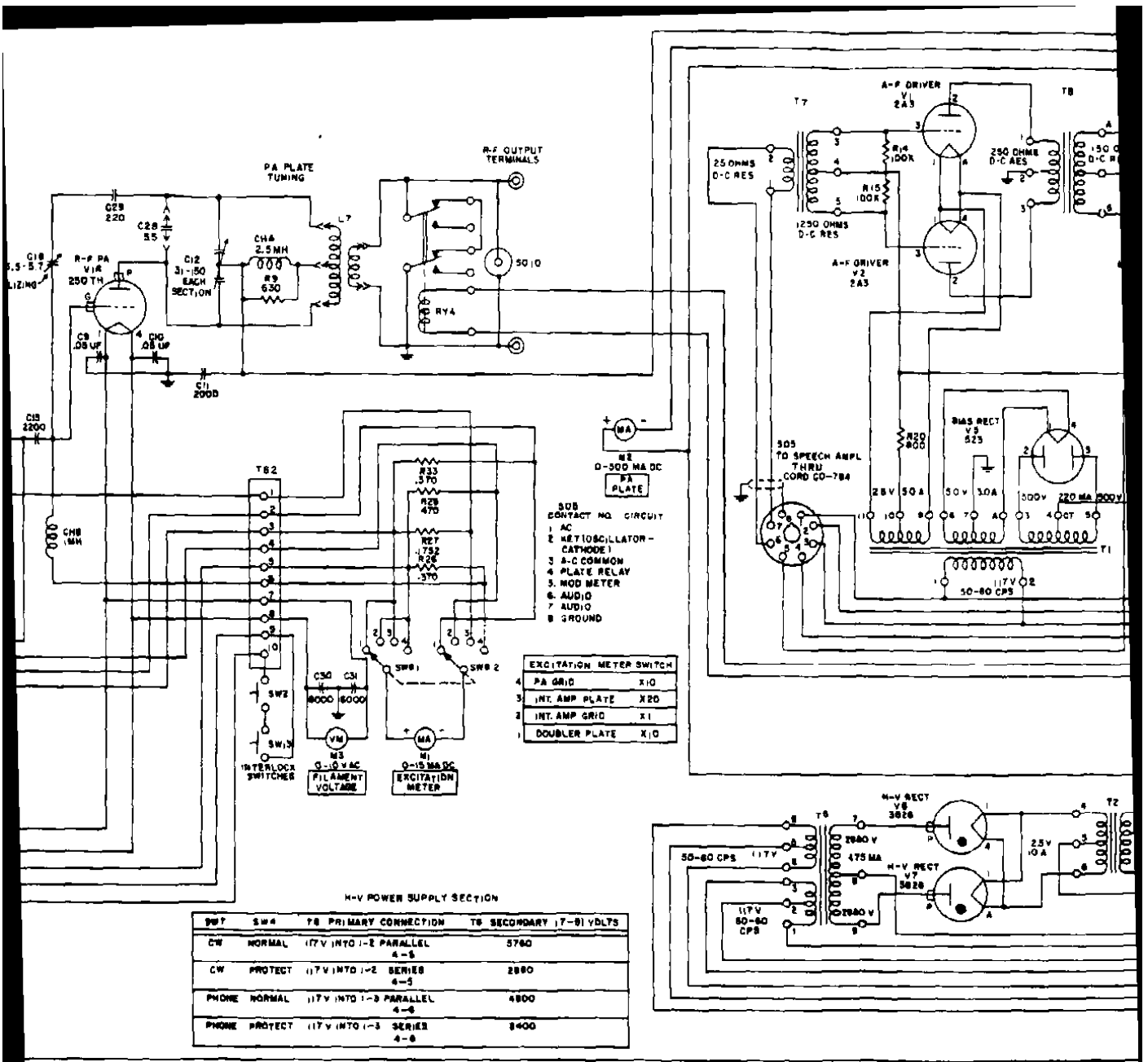
- 1 UNLESS OTHERWISE SHOWN RESISTORS ARE IN OHMS, CAPACITORS ARE IN UUF
- 2 FOR CONVENTIONAL OPERATION CONNECT JUMPER ON T6 AS SHOWN FOR REMOTE CONTROL OF T6, REMOVE JUMPER AND CONNECT CORD CX-9117U TO T6
- 3 THIS DIAGRAM ALSO APPLIES TO THE H MODEL, SERIAL NUMBERS 821 THRU 372 ON ORDER NO 307B PHILA-51
- 4 RESISTOR R38 (2 OHMS) IS ADDED IN SERIES WITH ONE LEAD OF METER M1 ON THE I MODEL TRANSMITTERS WITH SERIAL NUMBERS 1 THRU 300 ON ORDER NO 3131-PHILA-51



TO CONNECT JUMPER ON TS15 AS SHOWN
 T4, REMOVE JUMPER AND CONNECT CORD

AS TO THE H MODEL, SERIAL NUMBERS 821
 078-PHILA-51
 IS ADDED IN SERIES WITH ONE LEAD OF METER
 RESISTORS WITH SERIAL NUMBERS 1 THRU
 PHILA-51

Figure



H-V POWER SUPPLY SECTION

SW1	SW2	T8 PRIMARY CONNECTION	T8 SECONDARY (7-8) VOLTS
CW	NORMAL	117V INTO 1-2 PARALLEL	5780
CW	PROTECT	117V INTO 1-2 SERIES	2880
PHONE	NORMAL	117V INTO 1-3 PARALLEL	1480
PHONE	PROTECT	117V INTO 1-3 SERIES	840

Figure 81 Radio Transmitter BC-810-I and Radio Transmitter BC-810-II (series 3078-Phila-51) schematic diagram

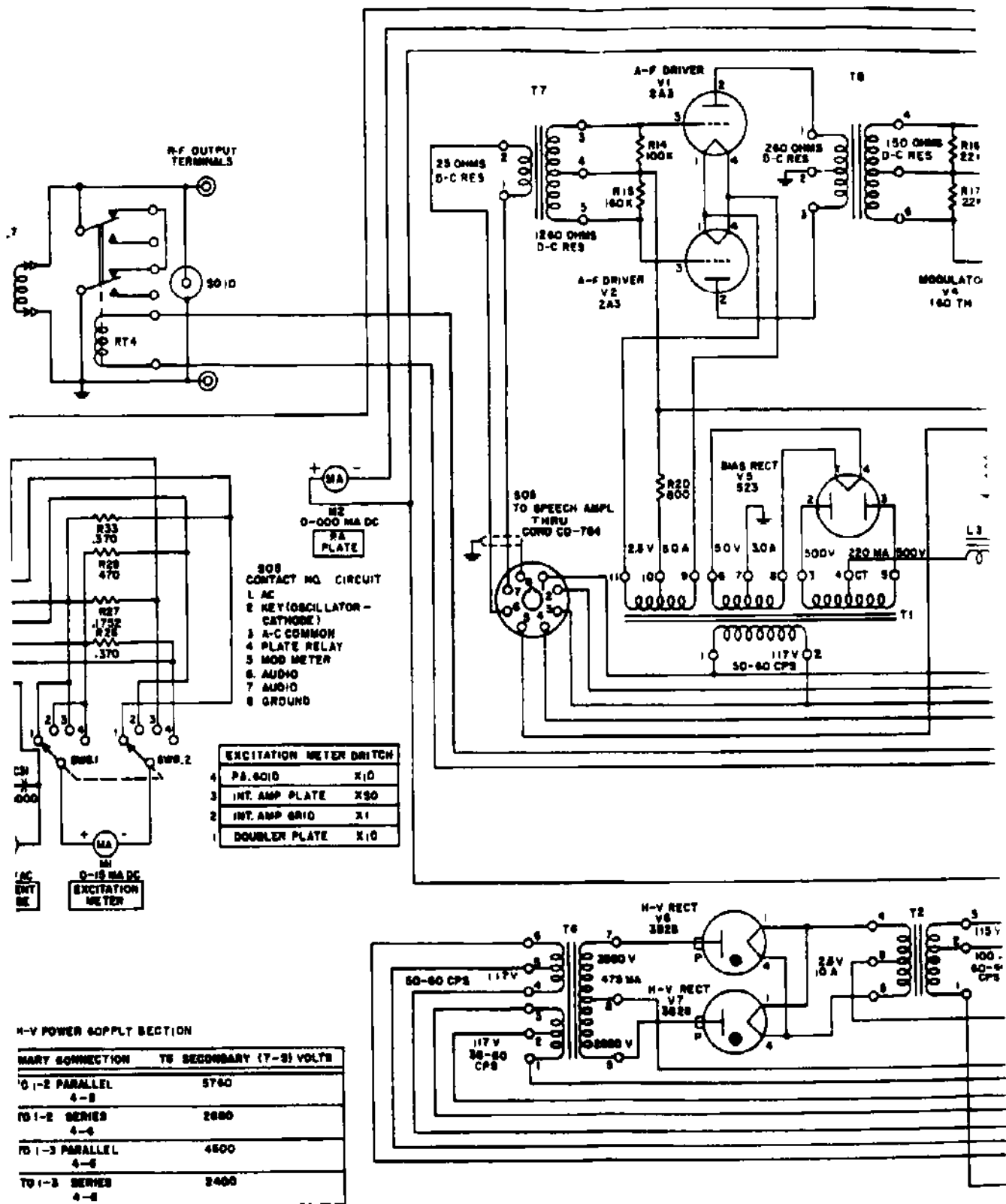
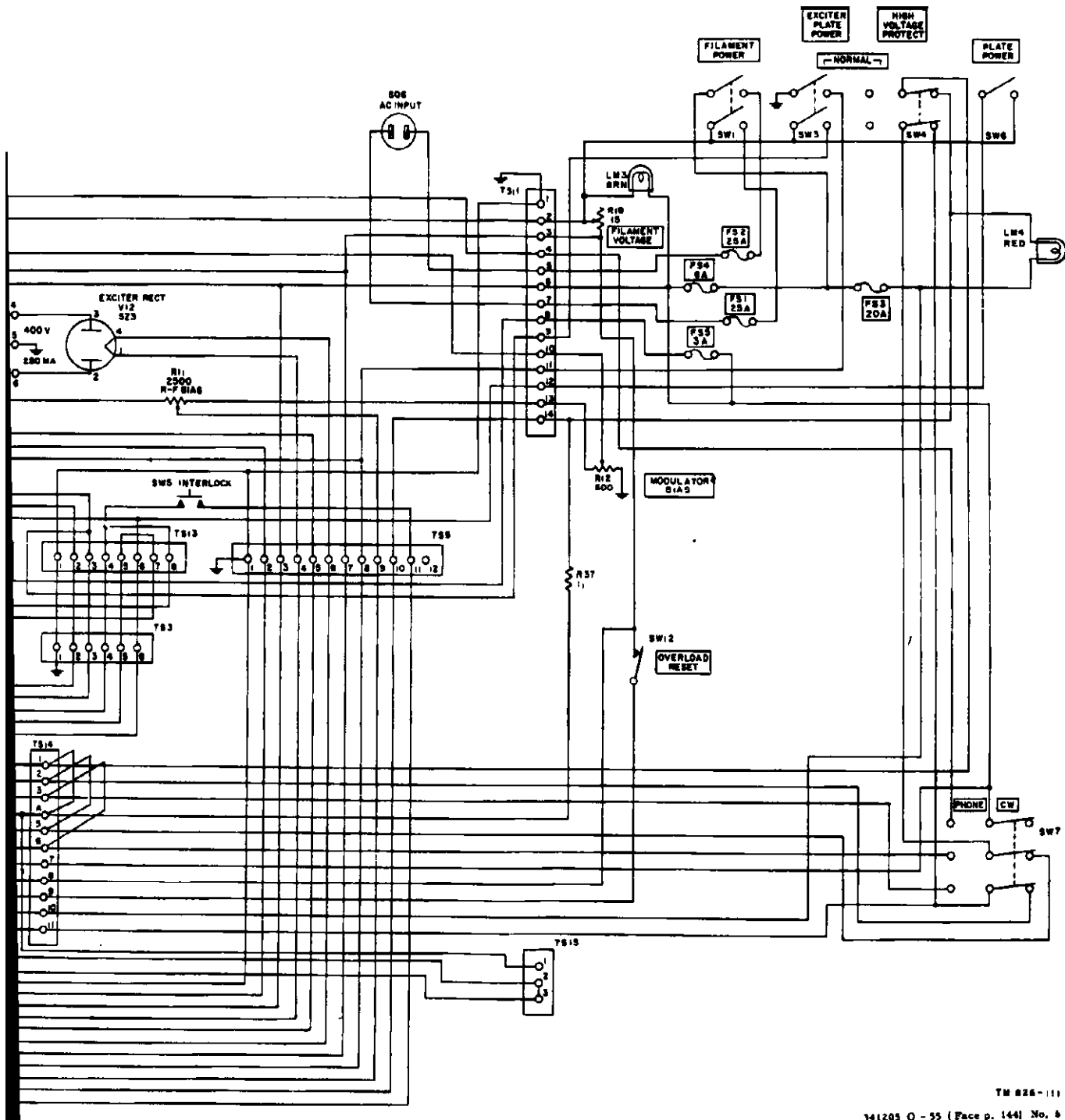
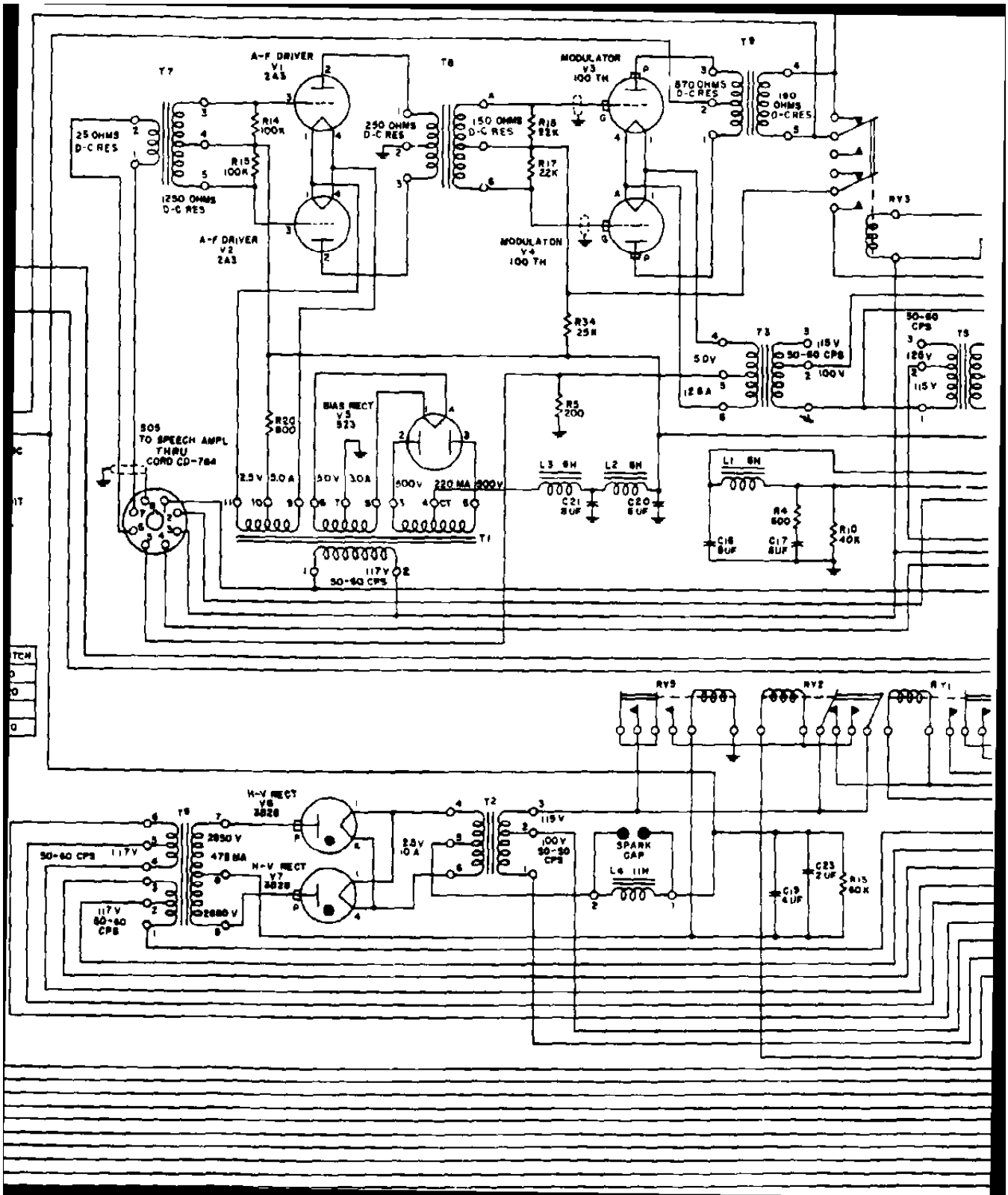
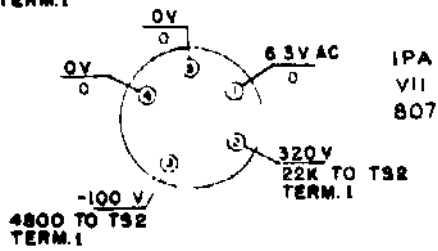
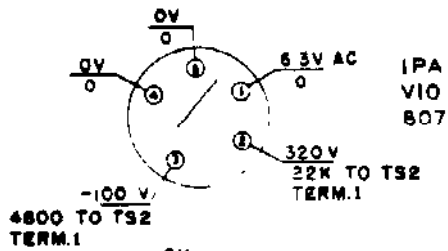
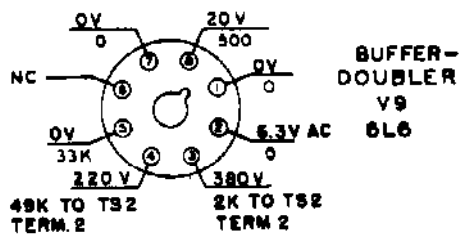
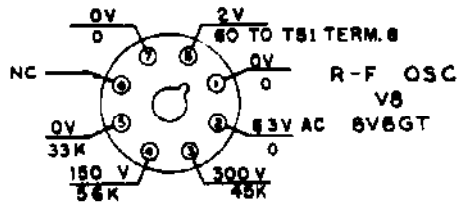


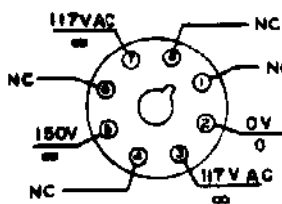
Figure 81. Radio Transmitter BC-610-1 and Radio Transmitter BC-610-H (serial Nos 307R-Ph(1a-51) schematic diagram



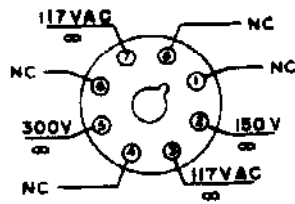




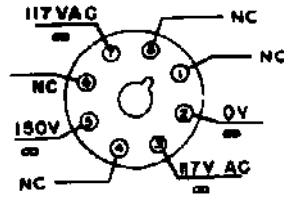
VOLTAGE REG V15
OD3



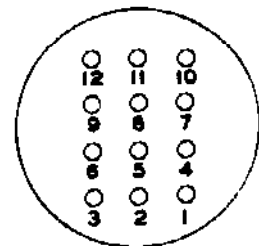
VOLTAGE REG V14
OD3



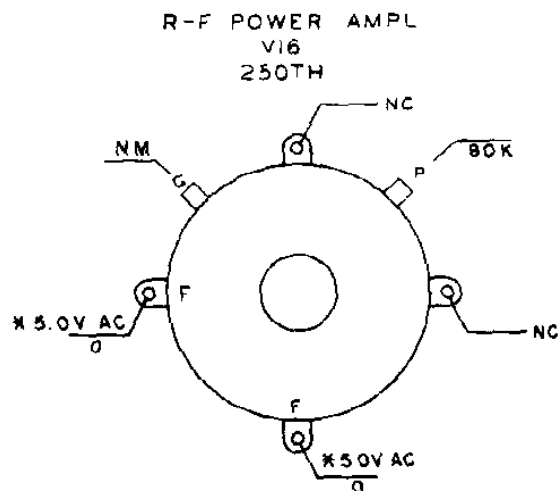
VOLTAGE REG V13
OD3

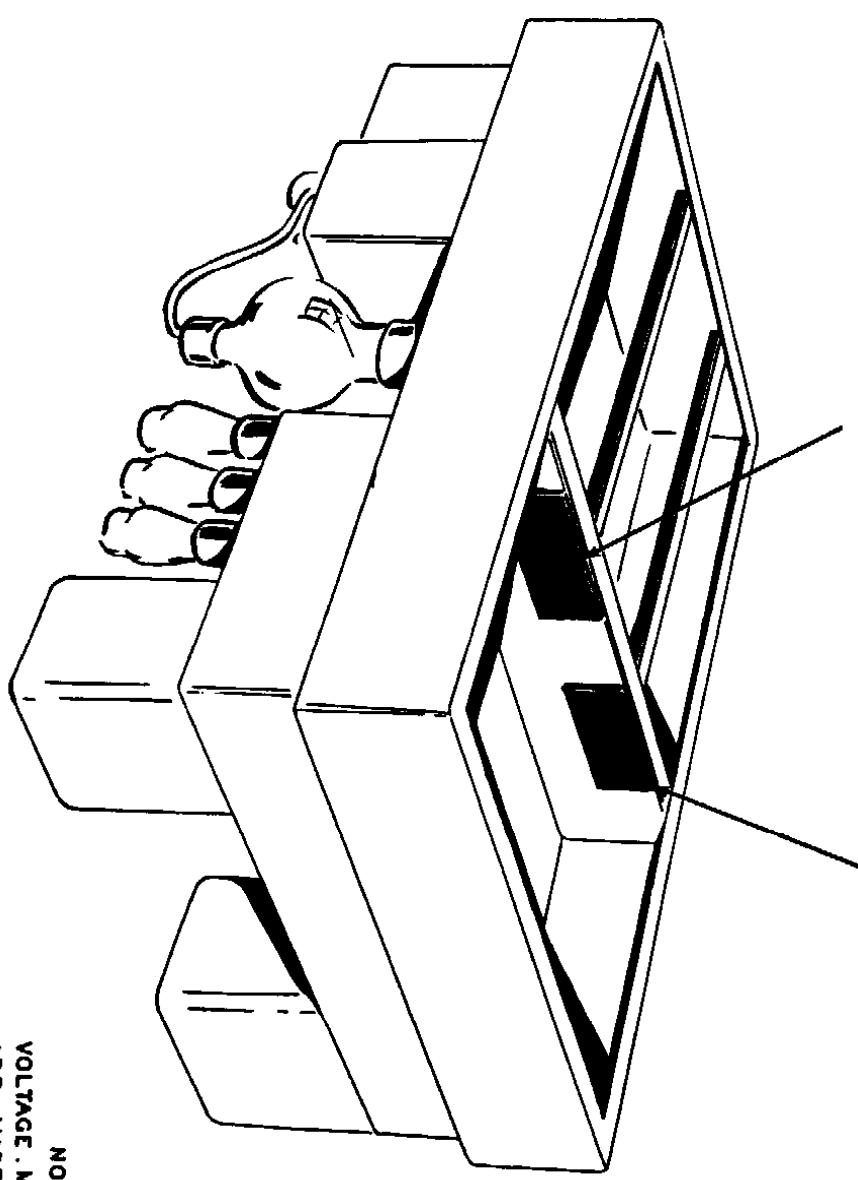
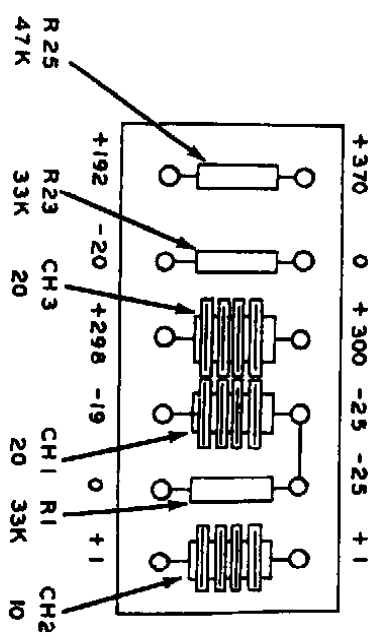
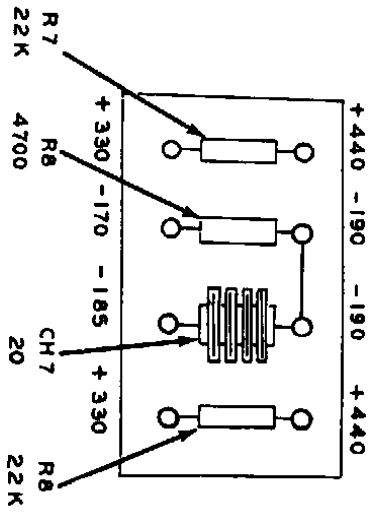


T4



- NOTES
- 1 115V A-C INPUT
 2. VOLTAGES AND RESISTANCES MEASURED TO GROUND WITH A 20,000 OHM-PER-VOLT METER, USE HIGHER METER RANGES TO PREVENT CIRCUIT LOADING.
 3. NC INDICATES NO CONNECTION.
 - 4 * INDICATE MEASUREMENT ACROSS FILAMENT.
 5. NM INDICATES NOT MEASURED.
 - 6 REFER TO TROUBLE SHOOTING SECTION IN TEXT BEFORE TAKING HIGH VOLTAGE MEASUREMENTS.
 - 7 DO NOT MAKE RESISTANCE MEASUREMENTS WITH AC LINE CONNECTED
 - 8 DISCHARGE STORED VOLTAGES BY SHORTING CHECK POINTS TO CHASSIS BEFORE ATTEMPTING RESISTANCE MEASUREMENTS.
 9. FINAL TANK COIL L7 AND TUNING UNITS INSERTED.





NOTE:
 VOLTAGE MEASUREMENTS
 ARE MADE TO CHASSIS
 WITH A VTVM.

Figure 61 - Resistor bank resistor and connector board outline and connections