

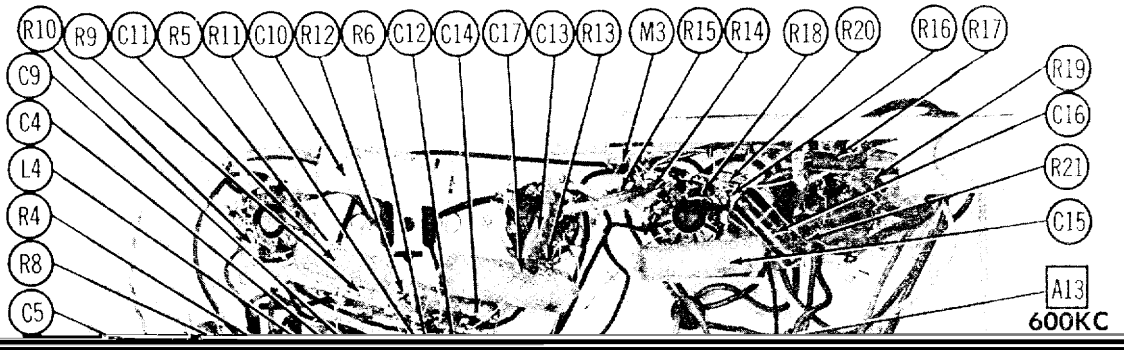
PHOTOFACT* Folder
TRADE MARK



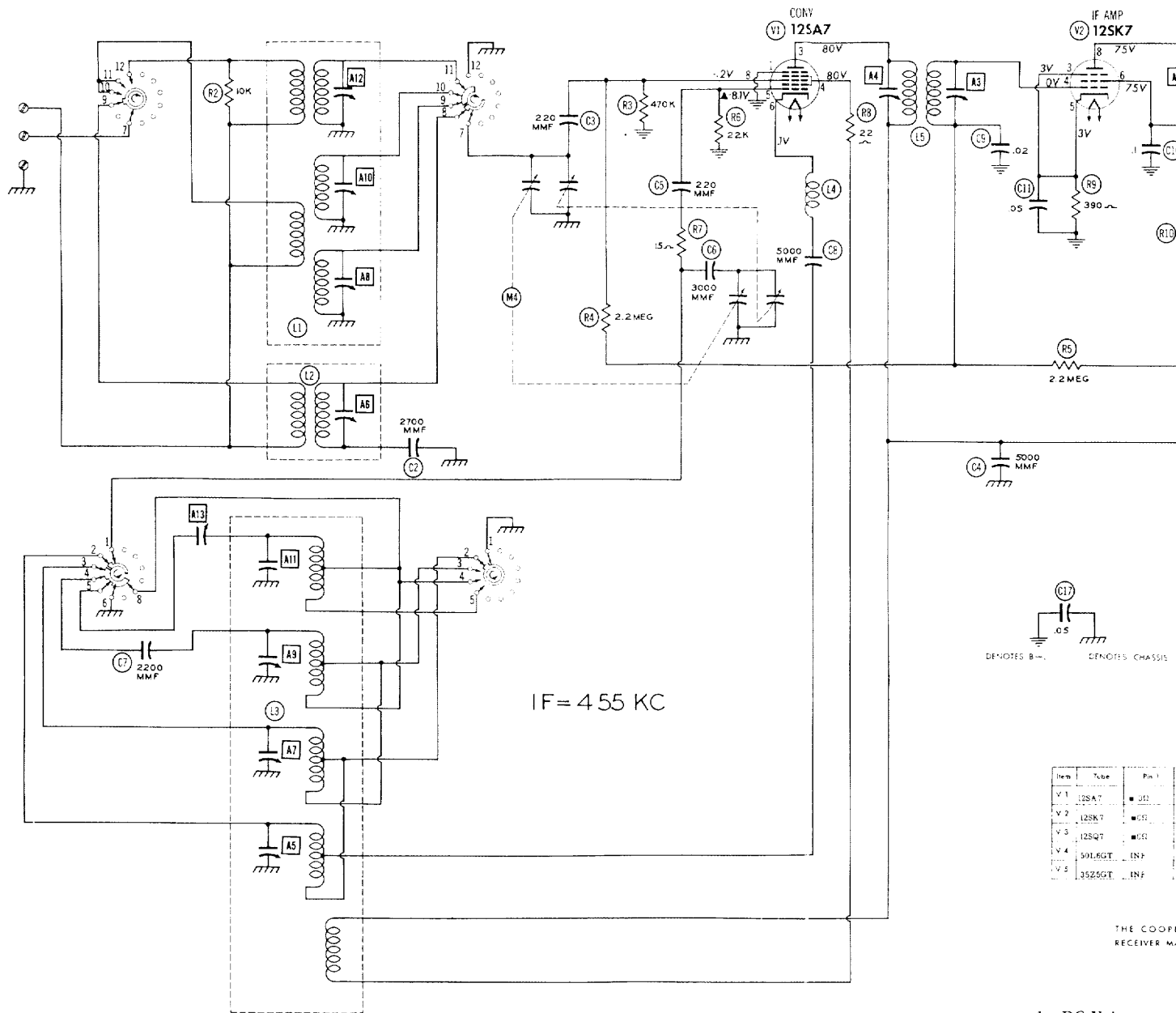
**HALLICRAFTERS
MODEL 5R10A**

M1

VIEW



600KC



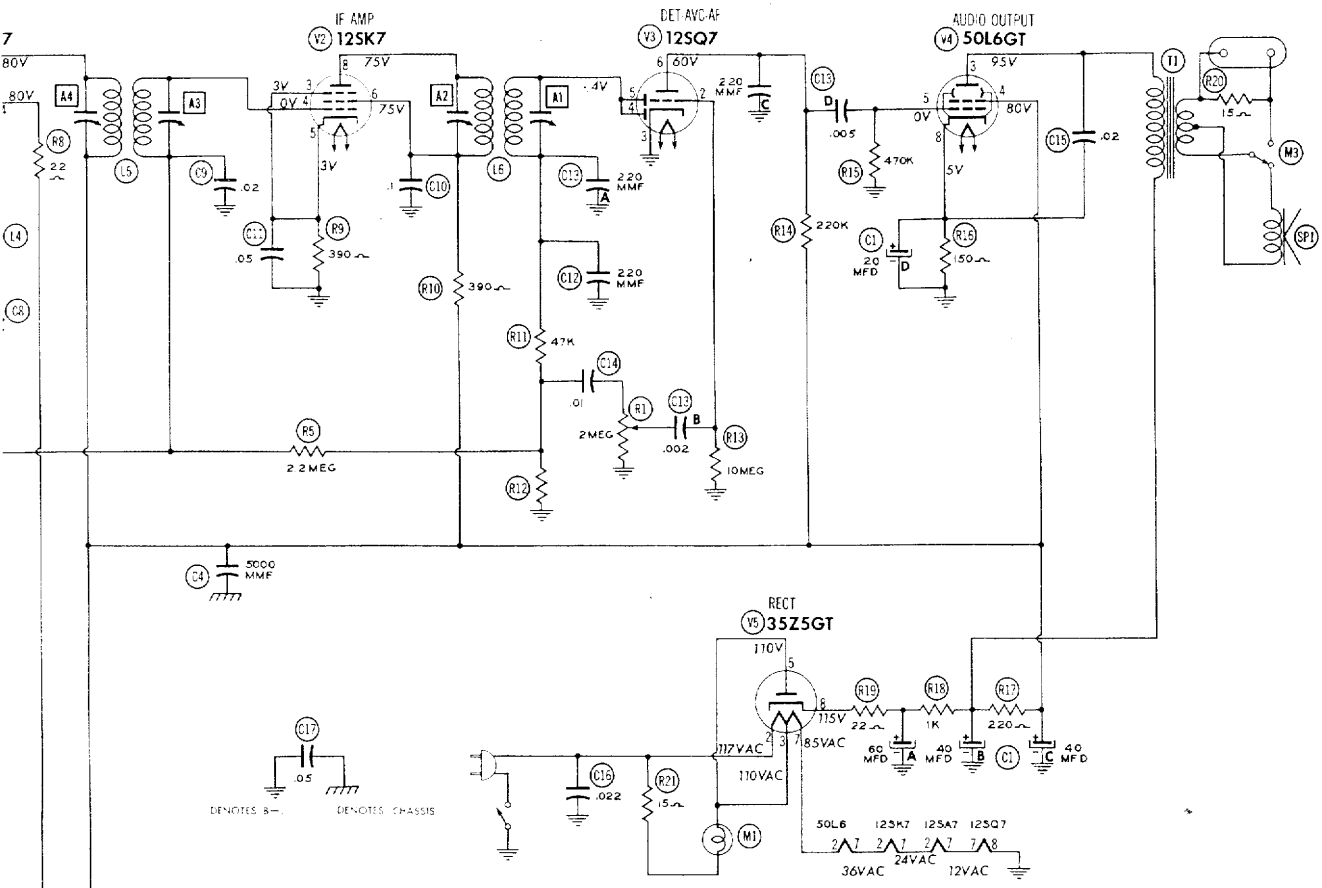
IF = 455 KC

5000 MMF DENOTES B-1, 0.5 DENOTES CHASSIS

Item	Tube	Pin 1
V 1	12SA7	10
V 2	12SK7	10
V 3	12SQ7	10
V 4	50L6GT	10
V 5	35Z5GT	10

THE COOPER RECEIVER M7

1. DC Voltage measured at 1.00
2. Socket connection
3. Measured values
4. Line voltage may
5. Nominal tolerance + 10% in voltage
6. Volume control



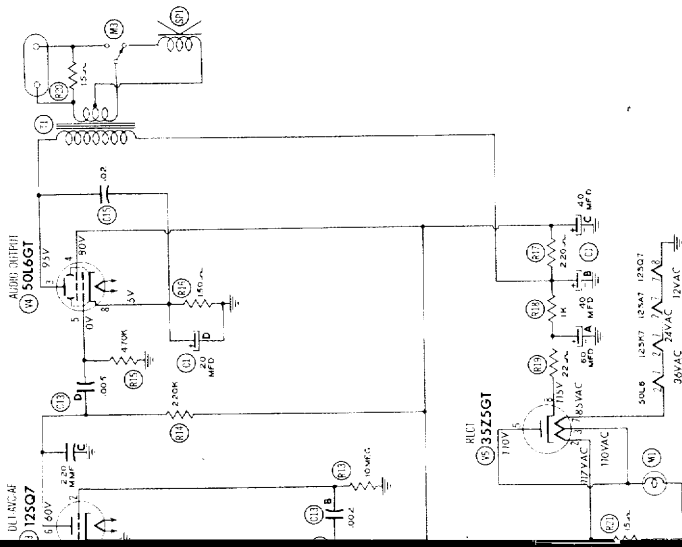
RESISTANCE READINGS

Item	Tube	Pin 1	Pin 2	Pin 3	Pin 4	Pin 5	Pin 6	Pin 7	Pin 8
V 1	25A7	■ C1	840	11.2KΩ	11.3KΩ	22 KΩ	160	120	470KΩ
V 2	12SK7	■ G1	360	360	1.25MΩ	3900	11.6KΩ	240	11.6KΩ
V 3	12SQ7	■ G1	10MΩ	70	515KΩ	515KΩ	1220KΩ	120	00
V 4	50L6GT	1NF	860	15MΩ	11.2KΩ	470KΩ	00	360	150
V 5	35Z5GT	1NF	120	105Ω	105Ω	000	1NF	850	49KΩ

* TAKEN WITH VACUUM TUBE VOLTMETER
 ALL MEASUREMENTS TAKEN IN BC BAND (1)
 † MEASURED FROM PIN 8 OF V5
 ■ MEASURED FROM CHASSIS

THE COOPERATION OF THE MANUFACTURER OF THIS RECEIVER MAKES IT POSSIBLE TO BRING YOU THIS SERVICE

1. DC Voltage measurements are at 20,000 ohms per volt; AC Voltages measured at 1,000 ohms per volt.
2. Socket connections are shown as bottom views.
3. Measured values are from socket pin to common negative.
4. Line voltage maintained at 117 volts for voltage readings.
5. Nominal tolerance on component values makes possible a variation of + 10% in voltage and resistance readings.
6. Volume control at maximum, no signal applied for voltage measurements.



Pin 5	Pin 6	Pin 8
0.82	0.75	0.78
11.8KΩ	2.1K	11.8KΩ
252	1220Ω	252
8.3	72	285
0.1	0.05	0.05

LEAKAGE
CAPACITANCE

MARK OF THIS
IN THIS SERVICE

0 ohms per volt; AC Voltages
in views.
common negative.
if voltage readings
it makes possible a variation of
p.p.s.
l applied for voltage measure.