

Logic circuits: true table

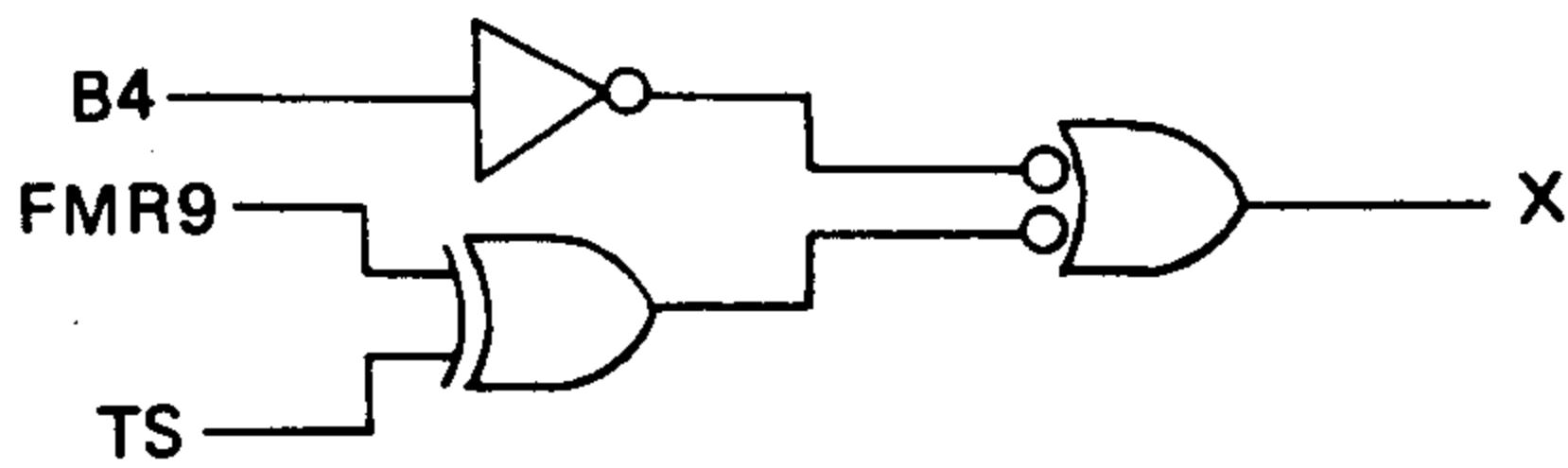
CIRCUITI LOGICI: TABELLA DELLA VERITA'

Downloaded by   
 Amateur Radio Directory   
  
[www.hamdirectory.info](http://www.hamdirectory.info)

X-Control

B4	FM9	TS	X
0	0	0	1
0	0	1	0
0	1	0	0
0	1	1	1
1	*	*	1

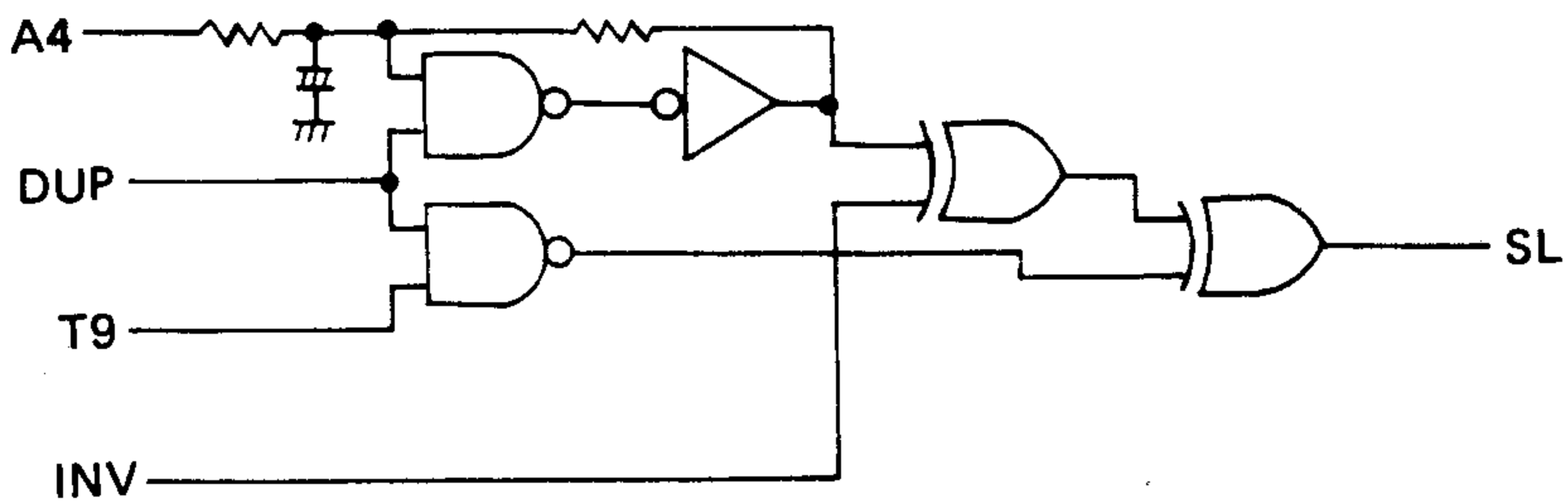
\* = 0 or 1



SL-Control

DUP	T9	A4	INV	SL
0	*	*	0	1
0	*	*	1	0
1	0	0	0	1
1	0	0	1	0
1	0	1	0	0
1	0	1	1	1
1	1	0	0	0
1	1	0	1	1
1	1	1	0	1
1	1	1	1	0

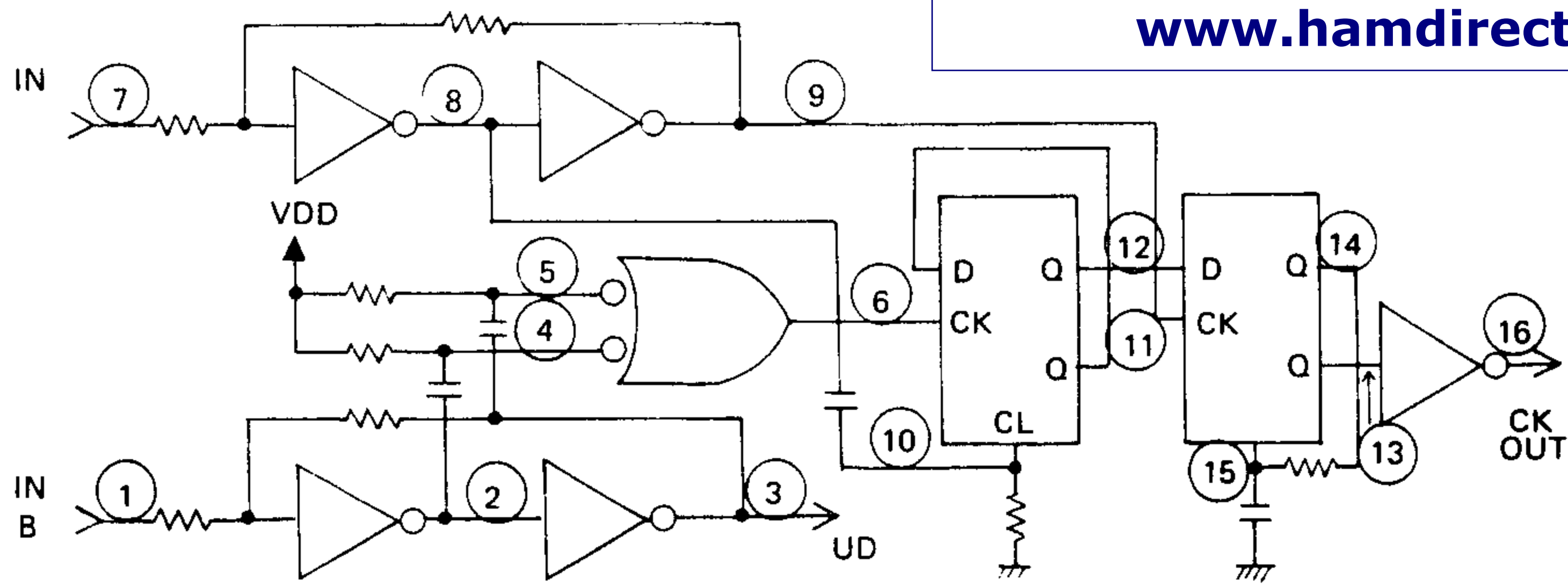
\* = 0 or 1



Synco diagram

DIAGRAMMA DEL SINCRONISMO

Downloaded by   
 Amateur Radio Directory   
  
[www.hamdirectory.info](http://www.hamdirectory.info)

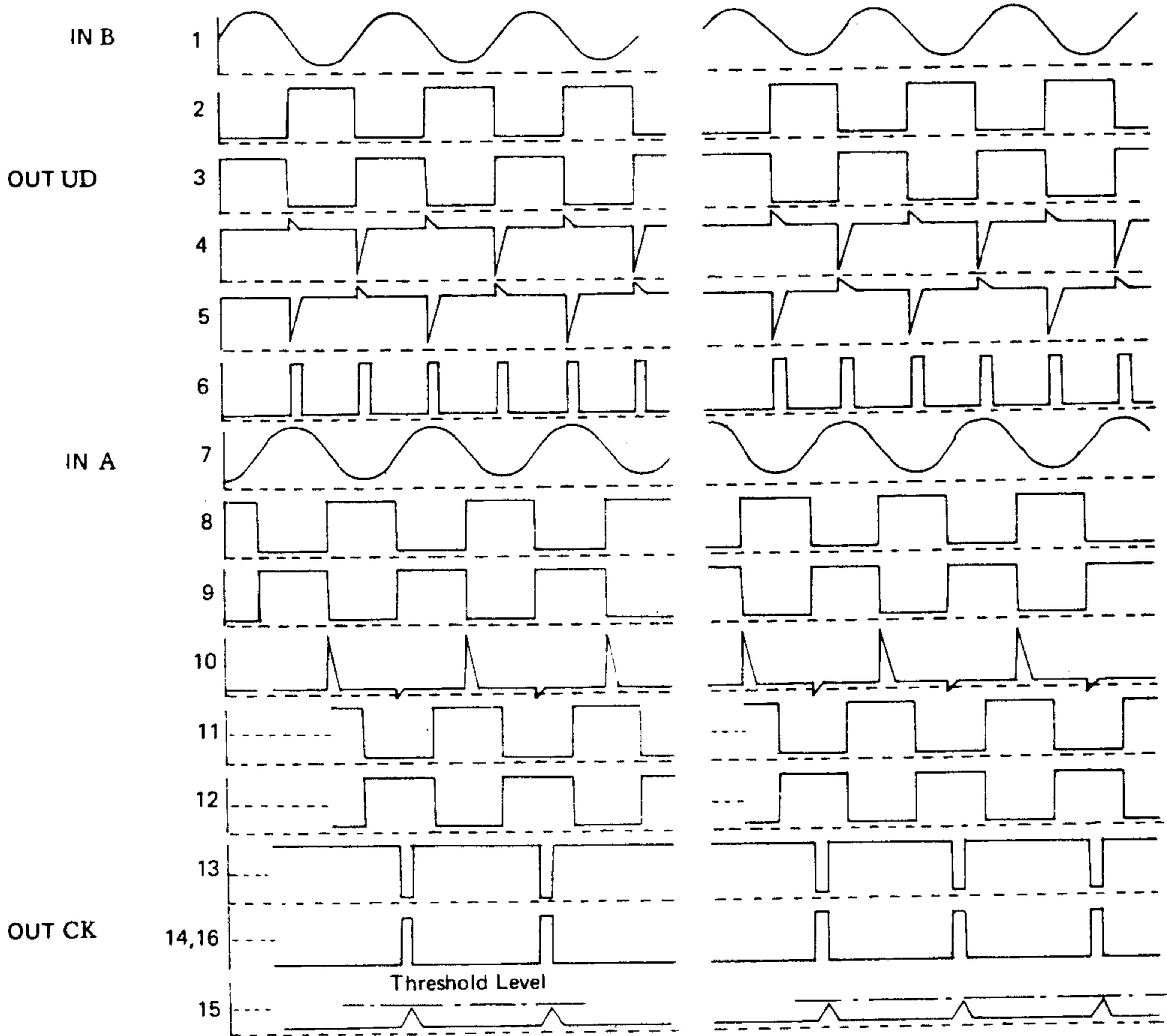


Up count

Down count

CONTEGGIO IN SALITA

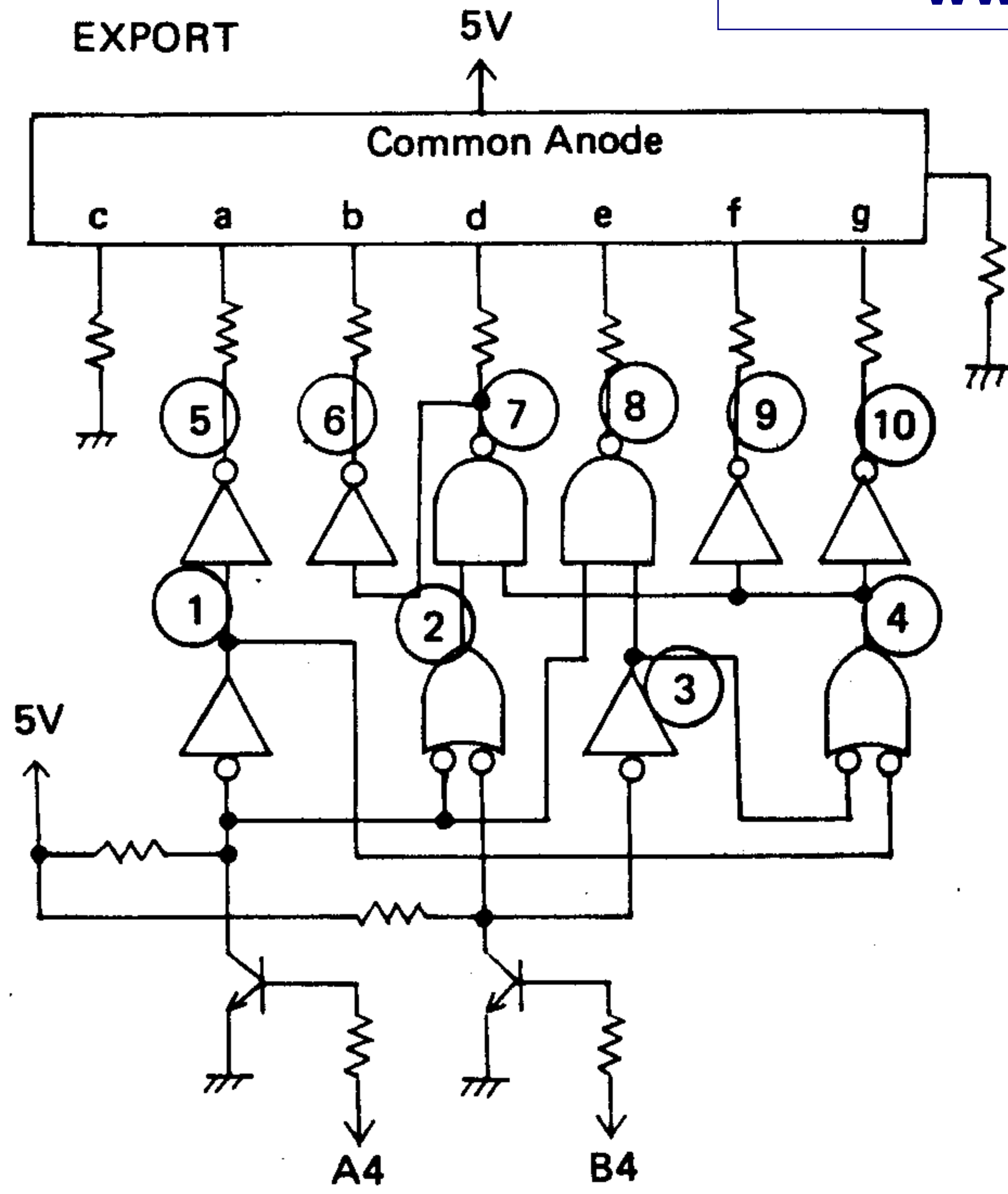
CONTEGGIO IN DISCESA



Display timing

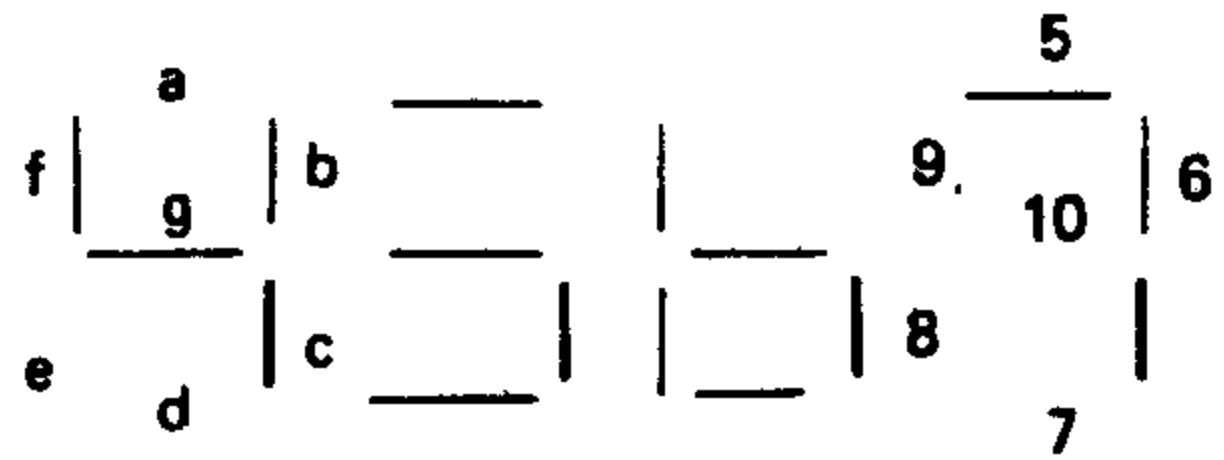
TEMPORIZZATORE DEL VISORE

Downloaded by   
 Amateur Radio Directory   
  
[www.hamdirectory.info](http://www.hamdirectory.info)



EXPORT

Input		Output									
B4	A4	5	6	7	8	9	10	1	2	3	4
0	0	1	0	1	1	0	0	0	0	0	1
0	1	0	1	0	1	0	0	1	1	0	1
1	0	1	1	0	0	0	0	0	1	1	1
1	1	0	0	1	1	1	1	1	1	1	0



# LETTURE DI TENSIONE

## Voltage tables

Unit	No.	Transmit				Receive				Notes
		Base or Gate 1	Gate 2	Collector or Drain	Emitter or Source	Base or Gate 1	Gate 2	Collector or Drain	Emitter or Source	
U-116 PLL	Q1	8.5		8.6	7.8					
"	Q2	0		8.6	3.9					
"	Q3	0		0.9	0					
"	Q4	0		7.8	0					
"	Q6	0		7.8	0.3					
"	Q7	7.5		7.6	7.0					
"	Q8	4.5		5.0	5.0					
"	Q9	1.8		8.3	1.0					
"	Q10	1.4		8.4	0.8					
"	Q11	1.4		8.4	0.8					

Unit	No.	Transmit							Pin No.							Notes
		1	2	3	4	5	6	7	8	9	10	11	12	13	14	
U-116 PLL	IC-1	(see below)														
	IC-2	0	0	5	0	0	5	0	0	5	5	5	0~5	0	5	
	IC-3	5~0	0	0	0	5	5	0	5	0	5	0~5	5	5	5	
	IC-4	5	2.6	E	1.9	5	6.7	7.5	7.5							
	IC-5	5.1	1.9	1.9	E	5.4	3	6								
	IC-6	10.6	E	5.0												

Unit	No.	Receive							Pin No.							Notes
		1	2	3	4	5	6	7	8	9	10	11	12	13	14	
U-116 PLL	IC-7	5	-9.3													
"	IC-8	13.8	0	8.4												
U-116 PLL	IC-1	1	2	3	4	5	6	7	8	9	10	11	12	13	14	
		5	1.5	0.8	1.4	5	0	0	0	0	0	0	0	0	0	
		15	16	17	18	19	20	21	22	23	24	25	26	27	28	
		0	0	0	0	0~5	0	0~5	0~5	0~5	0~5	0~5	0~5	0~5	0~5	
		29	30	31	32	33	34	35	36	37	38	39	40			
		0~5	0~5	0~5	0~5	0~5	0	5	0	0	0	0	2.8			

Downloaded by   
 Amateur Radio Directory   
  
[www.hamdirectory.info](http://www.hamdirectory.info)